

EXEDY

CATALOG

Clutch Kit / Cable / Hydraulic /
Fork / Flywheel / AT Parts

2014



EXEDY

EXEDY Globalparts Corporation

EXEDY Globalparts Corporation USA

EXCELLENT & DYNAMIC



Already in the Future!



→ Company Profile & Product Features ←

Automatic Transmission Related

Friction • Damper • Fluid



TECHNICS

EXEDY FDF

OEM to GM & Ford in
Wet Friction & Torque
Converter Products.

*From the world's largest independent manufacturer of torque converters and
the world's largest manufacturer of combined wet and dry friction products.*

Exedy dominates the OEM market in the world over-fact!

Exedy is a powertrain specialist and tier one supplier to the automotive industry world wide. Exedy's products range: From wet & dry friction material, torque converters, complete transmission systems for highway, off-highway and industrial applications.

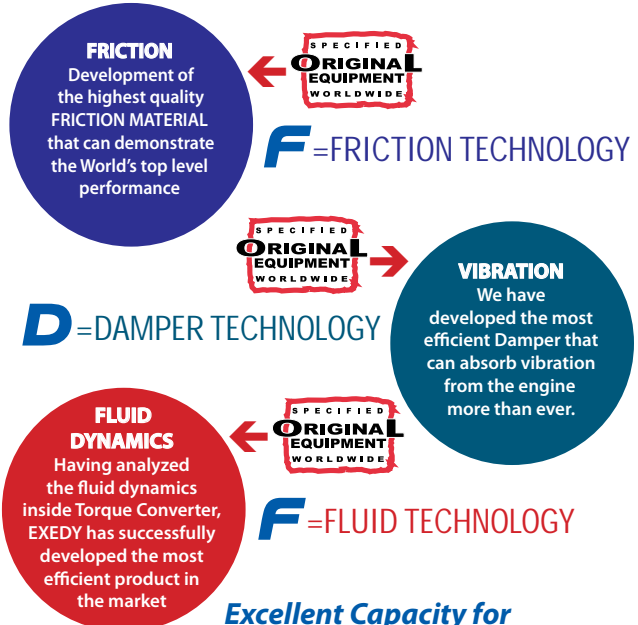
Exedy is responsible to all 11 OE automotive vehicle manufacturers in Japan. For the conception of powertrain product requirements and needs.

In the US Exedy supplies Ford-GM-Chrysler, powertrain needs such as torque converters, wet friction material and standard clutch systems.

Worldwide Exedy has evolved through developing and patenting the core technologies such as friction, vibration and fluid technology.

Exedy products have been recognized by vehicle manufacturers all over the world. As a premium brand in Japan, Exedy products are valued so highly that our products are renowned all over the world by car manufactures. Exedy continues to hold a large share of the OEM market both domestically and internationally.

CORE TECHNOLOGY



*Excellent Capacity for
Development for Fluid Technics*

www.exedyusa.com

Available through all authorized WDs & Jobber Shops

Exedy Globalparts Corporation Products (Automatic Related)

Friction Discs

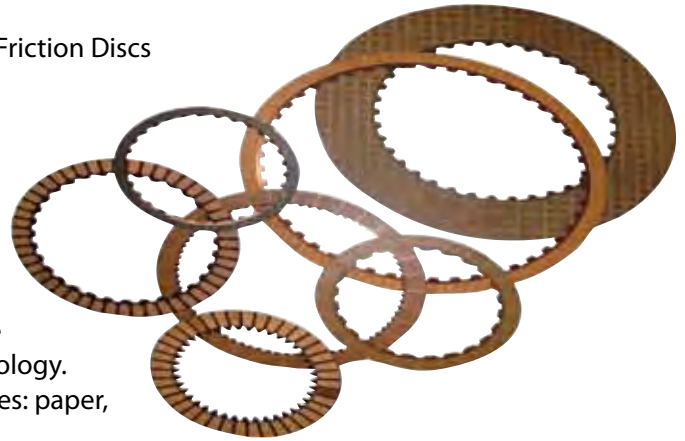
Clutch Module Assemblies

Transmission Bands

Separator Plates

Torque Converter Friction Discs

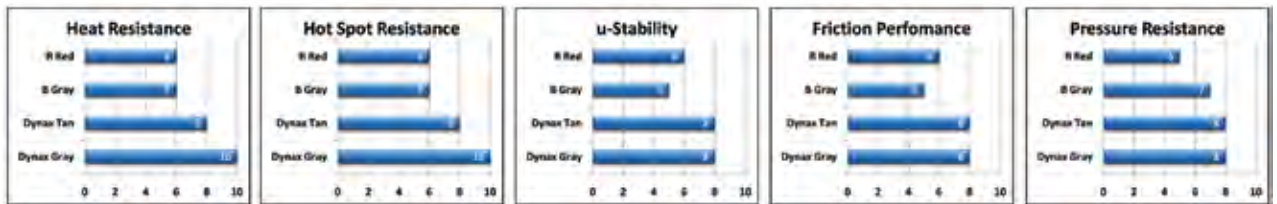
Dry Friction



Friction Discs

Wet friction discs are used as torque transfer and braking devices in several application including automatic transmissions, torque transfer couplings and wet brakes. Friction material is the core competency of Exedy. Exedy is engaged in the advancement of state-of-the-art wet friction technology. Currently, Exedy offers three friction material families: paper, carbon, and non-woven.

Don't Get Hung Up On Color



Separator Plates

Separator plates are used in conjunction with friction discs as the reactionary element. In addition to transmitting the reaction torque, they assist with absorbing heat as a result of speed change. Exedy uses specially-made high-quality steel to ensure durability, and have several processes to control surface finish to meet friction requirements.



Clutch Module Assemblies

Clutch Module Assemblies contain all necessary components to complete your required torque transfer. Exedy has the capability to design and manufacture these complex assemblies in order to guarantee friction performance and durability.



Torque Converter Friction Discs

Exedy torque converters, wet type clutches and other products for Automatic Transmission (AT) provide today's drivers with smooth and comfortable ride. The super squashed torque converters with high efficiency grounded on Hydrodynamics have been making great advances in North American and Chinese automotive markets.

Our statement → **EXEDY is truly OE. Not just OE Quality.**

The statement, its "OE Quality" does not mean its a OE product.

FIRST THINGS FIRST

Establish the reason for a replacement clutch being required.

If this is not due to normal usage, then the root cause of the condition must be established and corrected. These causes may include a slipping clutch, oil contamination, misalignment, faulty or incorrectly adjusted clutch release mechanism, faulty engine or gearbox mountings etc...

Already in the Future!

EXEDY[®]

EXEDY Globalparts Corporation

EXEDY

2013-2014 Product Catalog

OEM to GM, Ford and all 11 Japanese Vehicle Manufacturers





MAJOR O.E. CUSTOMERS

JAPAN

Direct transaction clients

| OEM Customers | Name | JAPAN | |
|---|------|-------|-------|
| | | EXEDY | DYNAX |
| Automotive | | | |
| Isuzu Motors | | • | |
| Nissan Motor | | • | • |
| Nissan Diesel Motor | | • | |
| Honda Motor | | • | • |
| Toyota Motor | | • | • |
| Daihatsu Motor | | • | |
| Mazda Motor | | • | • |
| Fuji Heavy Industries | | • | • |
| Mitsubishi Motors | | • | • |
| Hino Motors | | • | |
| Suzuki Motor | | • | • |
| Construction & Industrial Vehicles | | | |
| Nissan Motor | | • | |
| Toyota Automatic Loom Works | | • | |
| Kato Works | | • | |
| Kawasaki Heavy Industries | | • | • |
| Tadano | | • | |
| Furukawa | | • | • |
| Kobe Steel | | • | • |
| Komatsu | | • | • |
| Komatsu Forklift | | • | • |
| Konatsu Mec | | • | • |
| Komatsu Est | | • | • |
| TCM | | • | • |

| OEM Customers | Name | JAPAN | |
|-----------------------------------|------|-------|-------|
| | | EXEDY | DYNAX |
| Automotive | | | |
| Yutani Heavy Industries | | • | |
| Mitsubishi Heavy Industries | | • | • |
| Shin Caterpillar Mitsubishi | | • | • |
| Hitachi Construction Machinery | | • | • |
| Sumitomo Eaton Hydraulics | | | • |
| Sumitomo Yale | | • | |
| Agricultural | | | |
| Iseki & Co., Ltd | | • | • |
| Ishikawajima Shibaura Machinery | | • | |
| Kubota | | • | • |
| Yanmar Diesel Engine | | • | |
| Mitsubishi Agricultural Machinery | | • | |
| Unit | | | |
| Kayaba Industry | | | • |
| Nabco | | | • |
| Aisin AW | | | • |
| Aisin Seiki | | | • |
| Jatco | | • | • |
| Aisin AW Seimitsu | | | • |
| Toyota Motor Hokkaido | | | • |

UNITED STATES

| OEM Customers | Name | Japan | | U.S.A. | | | |
|---|----------------------------------|-------|-------|---------------|------------------------------|----------------|---------------|
| | | EXEDY | DYNAX | DAIKIN CLUTCH | DAIKIN DRIVETRAIN COMPONENTS | MERITOR CLUTCH | DYNAX AMERICA |
| USA | | | | | | | |
| Automotive | | | | | | | |
| AAI (Ford Motor) | AAI (Ford/Mazda) | | | | • | | |
| CAMI (GM) | CAMI (GM/Suzuki) | | | | | • | • |
| Ford Motor | | | • | | • | | • |
| Freightliner | | | | | | • | |
| General Motors | | | | | • | | |
| HAM | HAM (Honda) | | | | • | | |
| Kenworth | | | | | | • | |
| Mack | | | | | | • | |
| M.M.M.A. | M.M.M.A. (Mitsubishi) | | | | | • | |
| Navistar | | | | | | • | |
| NMMC | NMMC (Nissan) | | | | • | | • |
| Peterbilt | | | | | | • | |
| SIA | SIA(Fuji/Isuzu) | | | | • | | |
| Volvo | | | | | | • | |
| Western Star | | | | | | • | |
| Construction & Industrial Vehicles | | | | | | | |
| E-HITACHI | EUCLIK-HITACHI | | • | | | | |
| Ji Case | | • | | | | | |
| KFI | Komatsu Forklift U.S.A. Inc. | • | | | • | | |
| KMS | Konatsu Mining Systems | | • | | | | |
| TTEM | Toyota Industrial Equipment Mfg. | | | • | | | |
| Unit | | | | | | | |
| DANA | | | | | | | • |
| EUROPE | | | | | | | |
| Automotive | | | | | | | |
| BENZ | | | • | | | | |
| GM | Gm France | | • | | | | |
| Construction & Industrial Vehicles | | | | | | | |
| Fiat hitachi Exacavators | | | • | | | | |
| Kawasaki Precision Machinery | | | • | | | | |
| Volvo | | • | | | | | |
| Komatsu Hanomag A.G. | | | • | | | | |
| Unit | | | | | | | |
| VOITH | | • | | | | | |
| ZF | | | • | | | | |
| ASIA | | | | | | | |
| Automotive | | | | | | | |
| BEML | Bharat Earth Movers Ltd. | | • | | | | |
| Hyundai Motor | | • | • | | | | |
| Construction & Industrial Vehicles | | | | | | | |
| Daewoo Heavy Industries | | | • | | | | |
| Hyundai Heavy Industries | | | • | | | | |
| Komatsu Changlin | | | • | | | | |

Distributors/Agents are not listed
(As of July 1, 1999)



EXEDY Globalparts Corporation

TABLE OF CONTENTS

SECTION 1
VEHICLE APPLICATIONS GUIDE 1

SECTION 2
MEDIUM DUTY TRUCK APPLICATIONS GUIDE..... 2

SECTION 3
AUTOMATIC TRANSMISSION FRICTION KITS..... 3

SECTION 4
AUTOMATIC TRANSMISSION BRAKE BAND BUYERS GUIDE 4

SECTION 5
CONVERSIONS METRIC TO INCHES 5

SECTION 6
CLUTCH INSTALLATION INSTRUCTIONS..... 6



EXEDY Globalparts Corporation



Standard Manual Transmission & Wet Friction Automatic Transmission TERMS AND CONDITIONS OF SALE

1. All orders accepted by, and goods/products supplied by, EXEDY GLOBALPARTS CORPORATION, hereafter referred to as the Company, are subject to the following Terms and Conditions of Sale. Any exceptions and/or variations must be specifically agreed to in writing by both parties.
- 2a. Manufacturers' Names, Part Numbers, Symbols or any other references appearing in the Company's listing and/or on the Company Packaging, are used for reference purposes only and in no way indicate the goods/products are made by, for, and/or guaranteed by such manufacturers.
- 2b. Distributors claiming short delivery or incorrect discount must notify the Company within seven (7) days of delivery or invoice date.
- 2c. **Prices are subject to change without notice. The price payable for goods/products shall be the price in force at the time of delivery.**
- 2d. No partnership, joint venture, or other such association will be deemed created by opening an account with the Company. Neither party is the agent of the other, and neither party shall represent itself as an agent, officer or principal of the other for any purpose, including, without limitation, entering into any commitment, agreement or other obligation. Purchasing product from the Company does not in any way imply that the customer is an appointed sole distributor or an **exclusive distributor of the Company's products**.
3. All data, applications and/or interchanges, contained in the Company's listing and catalog/publications electronic lookup systems have been compiled as carefully as possible from reliable and official sources of information available at the time of publishing and appears as a **general guide only**. The information contained is correct to the best of the Company's knowledge and belief. **However, the Company cannot, and will not, assume any responsibility for possible errors contained in the publications**, which may lead to wrong quotations given to customers. Correct selection of goods/products is the responsibility of the purchaser.
- 4a. Standard OEM replacement clutch kits are guaranteed for a period of twelve (12) months or 20,000 miles, which ever occurs first. Clutch kits sold includes a 2% discount in pricing in lieu of warranty. Automatic Transmission steels and wet friction products are guaranteed twenty-four (24) months or 50,000 miles, which ever occurs first. Wet friction products used in performance applications are not covered by any warranty. Claims on wet friction products will not be entertained on any claim level, sight unseen of the product that claims to be faulty.
- 4b. For warranty information on sports and performance standard clutch products, please refer to EXEDY sports clutch catalog. Sports and performance clutch products do not carry a 12 month or 20,000 mile warranty.
- 4c. All goods/products supplied by the Company are warranted against faulty material and/or workmanship. Warranty does not apply if maltreatment, damage caused by collision or incorrect fitting exists. Warranty does not apply when the goods/products sold are fitted to a vehicle used for speed trials, racing, time trials, commercial and off road vehicles unless specified for that use in the Company's publications.
- 4d. When the company's clutch covers, clutch discs, or bearings are repackaged with another manufacturer's parts all warranties are void.
- 4e. Standard clutch kits and/or clutch components fitted to modified vehicle and/or clutch components that have been modified to Heavy Duty Specifications and/or any other specification/non-original conversions; Clutch disc and/or clutch disc friction material that have been altered are not covered by any warranty issued by the company.
- 4f. Standard clutch kits claims will be rejected where clutch kits and/or clutch components have been fitted to incorrect or unlisted applications. Flywheel must be resurfaced/machined before new clutch kit is fitted otherwise warranty will be void.

***WARNING:** Do not use EXEDY/Daikin clutch products in any situation where engine RPM's may exceed manufacturer's specifications. Pressure plate can explode unexpectedly causing serious injury or death to vehicle occupants and bystanders. Clutch cover and bell housing will not protect against exploding pressure plate. Refer to the Application Catalog for correct fitting. For sports and performance applications, please refer to the EXEDY Sports and Performance Publication.

CLAIM/WARRANTY PROCEDURES

- 5a. Any goods/product deemed by the customer to be faulty must be accompanied with a completed EXEDY Globalparts Corporation Warranty Claim Form, then the merchandise should be sent to us **freight prepaid** or given to a company representative. A RGA may be obtained by phoning our Sales office (an RGA will be given at our discretion). Additional claim forms may be obtained by phoning a customer service representative.
- 5b. No Claim Credit will be issued until the said goods/products have been tested and deemed faulty by the Company.
- 5c. The Company will not pay any claim for goods/products repaired by the Customer and/or claims sight unseen.
- 5d. It is the responsibility of the Company's customer to advise their customer on all aspects of this warranty and/or warranty procedures on any claim.

Standard Manual Transmission & Wet Friction Automatic Transmission TERMS AND CONDITIONS OF SALE *(Continued)*

RETURN FOR CREDIT PROCEDURES / CREDIT TERMS / AND PAYMENT PROCEDURES Goods/Product may be returned for credit within fourteen (14) days of invoice date under the following conditions:

- 6a. Goods/Products and packaging must be in resalable condition.
- 6b. Freight must be prepaid.
- 6c. All returns must be pre-approved by EGP, any returns that arrive without pre-approval will be returned to sender. **Please contact customer service for an RGA number.**
- 6d. A reason for the return of goods/products must be indicated at the time of return and be approved by the Company in advance.(Refer to 5a)
- 6e. Stock Adjustments/Returns: Will be at the discretion of the Company. Returns will be subject to 20% handling charge, all returned goods must be in a resalable condition. Freight to be paid by the customer on such returns.
- 6f. All special ordered goods/products will not be accepted back for credit.
- 6g. Returns will not be accepted after ninety (90) days unless by prior arrangement in writing.

* Payment terms are strictly **30 days** from date of statement for repackager accounts and on wet friction products. All other customer account terms are 59 days from date of statement. No other terms will apply unless otherwise agreed to, in writing, by both parties. We reserve the right to withhold delivery of further goods/products until all outstanding amounts are paid. Short payments are not acceptable. Complaints, disputes or claims with respect to one invoice and/or return may not be offset against payments due on another invoice Credits/claims. Unapproved and/or awaiting approval must **NOT** be deducted from payments, if so it will result in your account being brought to Credit Hold/Stop Status/Stop Supply of product. The passing of the property goods and parts dispatched from our warehouse is the responsibility of the customer. The goods delivered from the Company's warehouse shall remain the property of the company until payment is made in full by the customer. Any and all returned checks will be assessed a \$45.00 service charge.

- 7. Repeated Credit Hold/Stop Status/Stop Supply of trading accounts could result in complete closure of the account. All goods shipped to and received by the customer will remain the property of the company till payment for the goods are received by the company and paid for in full.

FREIGHT/INSURANCE

- 8a. Standard Clutch Kit orders over \$1,000 (US Dollars) will be shipped freight prepaid within the Continental United States. Component orders over \$7,500 (US Dollars) will be shipped freight prepaid within the Continental United States. **NOTE:** Sports and performance kits and products are excluded. (No free shipping on sports products) Please refer to special conditions if negotiated below. Wet friction components in bulk packaging the minimum order amount is \$10,000 (US Dollars) to receive freight prepaid within the Continental United States. Automatic Transmission wet friction kits the minimum order amount for prepaid freight is \$4,000 (US Dollars). Drop shipment requests for orders under \$300 (US Dollars) there will be an additional \$5.00 (US Dollars) service fee applied. Freight will also be added.
- 8b. There is no minimum order to regular clutch kit and sports kit customers. Purchase price is jobber less your negotiated discount, which includes a 2% discount in lieu of warranty.
- 8c. Insurance is not included in the freight charge. Insurance, if required, is the responsibility of the purchaser and must be arranged prior to dispatch of goods/product.
- 8d. Customers wishing to request another freight company and/or method, other than the one used by the Company, must make arrangements prior to dispatch or goods/product. All costs incurred and insurance, if required, are the responsibility of the purchaser.
- 8e. Any claims for damaged goods/product or shortages in transit must be filed with the carrier at the time of delivery. The prices set out or referred to in the Company's Price List are recommended prices only. There is no obligation to comply with these recommendations. Please draw our attention to any errors, omissions and anomalies. It is the responsibility of the Company's Customer to advise their staff and customers of the above terms and conditions of sales. Prices are subject to change without notice.

SPECIAL CONDITIONS

Special conditions can be negotiated. Conditions must be agreed to by both parties and printed below this line.



SECTION 1

VEHICLE APPLICATIONS GUIDE



| Liter | CC/IN | Cyl | Years | | Application Information |
|-------|-------|-----|-------|------|-------------------------|
| | | | To | From | |

ACURA (Performance Applications Available)

CL

| | | | | | |
|-----|------|----|------|------|------------------|
| 2.2 | 2156 | L4 | 1997 | 1997 | — |
| 2.3 | 2254 | L4 | 1998 | 1999 | — |
| 3.2 | 3210 | V6 | 2003 | 2003 | Sold as kit only |

INTEGRA

| | | | | | |
|-----|------|----|------|------|--------|
| 1.6 | 1590 | L4 | 1986 | 1989 | — |
| 1.7 | 1678 | L4 | 1992 | 1993 | GSR |
| 1.8 | 1834 | L4 | 1990 | 1991 | — |
| 1.8 | 1834 | L4 | 1992 | 1993 | — |
| 1.8 | 1797 | L4 | 1994 | 1999 | — |
| 1.8 | 1797 | L4 | 1997 | 1998 | Type R |
| 1.8 | 1797 | L4 | 2000 | 2001 | Type R |
| 1.8 | 1834 | L4 | 2000 | 2001 | — |

LEGEND

| | | | | | |
|-----|------|----|------|------|----------------------------|
| 2.5 | 2494 | V6 | 1986 | 1987 | — |
| 2.7 | 2675 | V6 | 1987 | 1990 | — |
| 3.2 | 3206 | V6 | 1991 | 1995 | 5 Spd |
| 3.2 | 3206 | V6 | 1994 | 1995 | 6 Spd GS, Sold As Kit Only |

RSX

| | | | | | |
|-----|------|----|------|------|---------------------------------|
| 2.0 | 1998 | L4 | 2002 | 2005 | 5 Spd, Sold As Kit Only |
| 2.0 | 1998 | L4 | 2002 | 2006 | 6 Spd, Type S, Sold As Kit Only |

TL

| | | | | | |
|-----|------|----|------|------|------------------|
| 3.2 | 3210 | V6 | 2004 | 2005 | Sold as kit only |
|-----|------|----|------|------|------------------|

TSX

| | | | | | |
|-----|------|----|------|------|-------------------------------------|
| 2.4 | 2354 | L4 | 2003 | 2008 | Includes Flywheel, Sold As Kit Only |
| 2.4 | 2354 | L4 | 2009 | Up | Sold As Kit Only |

VIGOR

| | | | | | |
|-----|------|----|------|------|---|
| 2.5 | 2451 | L5 | 1992 | 1994 | — |
|-----|------|----|------|------|---|

ALFA ROMEO

164

| | | | | | |
|-----|------|----|------|------|---------------------------------|
| 3.0 | 2959 | V6 | 1991 | 1995 | L & LS Series, Sold As Kit Only |
| 3.0 | 2959 | V6 | 1994 | 1995 | Q Series, Sold As Kit Only |

BERLINA, GT VELOCE, SPRINT

| | | | | | |
|-----|------|----|------|------|------------------|
| 1.8 | 1779 | L4 | 1969 | 1971 | Sold As Kit Only |
| 2.0 | 1961 | L4 | 1970 | 1974 | Sold As Kit Only |

SPIDER

| | | | | | |
|-----|------|----|------|------|------------------|
| 2.0 | 1961 | L4 | 1970 | 1994 | Sold As Kit Only |
|-----|------|----|------|------|------------------|

AMERICAN MOTORS

AMBASSADOR

| | | | | | |
|-----|-----|----|------|------|-------|
| 4.7 | 287 | V8 | 1966 | 1967 | — |
| 4.8 | 293 | V8 | 1968 | 1968 | — |
| 5.4 | 330 | V8 | 1960 | 1966 | 4 Spd |
| 5.6 | 342 | V8 | 1967 | 1968 | 4 Spd |
| 6.4 | 391 | V8 | 1968 | 1970 | 4 Spd |

AMERICAN

| | | | | | |
|-----|-----|----|------|------|-------|
| 4.8 | 293 | V8 | 1967 | 1968 | 4 Spd |
|-----|-----|----|------|------|-------|

AMX

| | | | | | |
|-----|-----|----|------|------|--------------------------|
| 4.8 | 293 | V8 | 1968 | 1969 | — |
| 5.6 | 342 | V8 | 1968 | 1969 | — |
| 5.9 | 360 | V8 | 1970 | 1970 | 4 Spd, 4 BBL |
| 6.4 | 391 | V8 | 1969 | 1970 | 4 Spd, 4 BBL |
| 6.6 | 403 | V8 | 1972 | 1974 | 4 Spd, 4 BBL, Lever type |

CLASSIC

| | | | | | |
|-----|-----|----|------|------|---|
| 4.7 | 287 | V8 | 1964 | 1965 | — |
| 5.4 | 330 | V8 | 1966 | 1966 | — |

| Kit | Disc (mm) | Disc (in) | Spline Dia | Splines | Master Cyl | Slave Cyl | Clutch Cable | Clutch Fork | New Flywheel |
|---------|-----------|-----------|------------|---------|------------|-----------|--------------|-------------|--------------|
| 08014 | 225 | 8-7/8 | 1-1/16 | 24 | MC234 | SC642 | — | — | — |
| 08014 | 225 | 8-7/8 | 1-1/16 | 24 | MC234 | SC642 | — | — | — |
| HCK1007 | 238 | 9-3/8 | 1 | 24 | — | — | — | — | — |
| 08006 | 200 | 7-7/8 | 7/8 | 21 | — | — | — | — | — |
| 08028 | 219 | 8-5/8 | 1-1/16 | 24 | — | — | — | — | — |
| 08017 | 219 | 8-5/8 | 1 | 24 | — | — | CC660 | — | — |
| 08028 | 219 | 8-5/8 | 1-1/16 | 24 | — | — | CC660 | — | — |
| KHC05 | 219 | 8-5/8 | 1-1/16 | 24 | MC238 | SC646 | — | — | — |
| KHC13 | 210 | 8-1/4 | 1-1/16 | 24 | MC238 | SC646 | — | — | — |
| KHC12 | 219 | 8-5/8 | 1-1/16 | 24 | MC238 | SC646 | — | — | — |
| KHC12 | 219 | 8-5/8 | 1-1/16 | 24 | MC238 | SC646 | — | — | — |
| 08018 | 225 | 8-7/8 | 1 | 24 | MC504 | — | — | — | — |
| 08018 | 225 | 8-7/8 | 1 | 24 | MC504 | — | — | — | — |
| 08021 | 240 | 9-1/2 | 1 | 24 | — | — | — | — | — |
| 08033 | 240 | 9-1/2 | 1 | 24 | — | — | — | — | — |
| KHC09 | 215 | 8-1/2 | 1-1/6 | 24 | MC502 | SC895 | — | — | — |
| KHC10 | 215 | 8-1/2 | 1-1/32 | 24 | MC502 | SC899 | — | — | — |
| HCK1007 | 238 | 9-3/8 | 1 | 24 | MC502 | — | — | — | — |
| HCK1001 | 225 | 8-7/8 | 1-1/32 | 24 | MC502 | SC895 | — | — | FWHDA02 |
| HCK1009 | 225 | 8-7/8 | 1 | 24 | MC502 | SC895 | — | — | HCF001 |
| KHC02 | 232 | 9-1/8 | 1-1/8 | 24 | MC527 | — | — | — | — |
| KAR03 | 228 | 9 | 15/16 | 20 | — | — | — | — | — |
| KAR04 | 228 | 9 | 15/16 | 20 | — | — | — | — | — |
| KAR01 | 215 | 8-1/2 | 1 | 10 | — | — | — | — | — |
| KAR01 | 215 | 8-1/2 | 1 | 10 | — | — | — | — | — |
| KAR01 | 215 | 8-1/2 | 1 | 10 | — | — | — | — | — |
| 01026 | 265 | 10-1/2 | 1-1/8 | 10 | — | — | — | — | — |
| 01026 | 265 | 10-1/2 | 1-1/8 | 10 | — | — | — | — | — |
| 01026 | 265 | 10-1/2 | 1-1/8 | 10 | — | — | — | — | — |
| 01026 | 265 | 10-1/2 | 1-1/8 | 10 | — | — | — | — | — |
| 01026 | 265 | 10-1/2 | 1-1/8 | 10 | — | — | — | — | — |
| 01026 | 265 | 10-1/2 | 1-1/8 | 10 | — | — | — | — | — |
| 01026 | 265 | 10-1/2 | 1-1/8 | 10 | — | — | — | — | — |
| 01026 | 265 | 10-1/2 | 1-1/8 | 10 | — | — | — | — | — |
| 01026 | 265 | 10-1/2 | 1-1/8 | 10 | — | — | — | — | — |
| 01025 | 280 | 11 | 1-1/8 | 10 | — | — | — | — | — |
| 01026 | 265 | 10-1/2 | 1-1/8 | 10 | — | — | — | — | — |
| 01026 | 265 | 10-1/2 | 1-1/8 | 10 | — | — | — | — | — |

1

| Liter | CC/IN | Cyl | Years | | Application Information |
|-------|-------|-----|-------|------|-------------------------|
| | | | To | From | |

AMERICAN MOTORS CONT.

CONCORD

| | | | | | |
|-----|-----|----|------|------|---|
| 2.5 | 153 | L4 | 1980 | 1982 | — |
|-----|-----|----|------|------|---|

EAGLE, KAMMBACK, SX4

| | | | | | |
|-----|-----|----|------|------|------------|
| 2.5 | 153 | L4 | 1981 | 1983 | GMC Engine |
|-----|-----|----|------|------|------------|

| | | | | | |
|-----|-----|----|------|------|------------|
| 2.5 | 153 | L4 | 1983 | 1984 | AMC Engine |
|-----|-----|----|------|------|------------|

| | | | | | |
|-----|-----|----|------|------|------------------|
| 4.2 | 256 | L6 | 1981 | 1988 | From VIN #011C04 |
|-----|-----|----|------|------|------------------|

GREMLIN

| | | | | | |
|-----|-----|----|------|------|-------------------|
| 4.2 | 256 | L6 | 1971 | 1972 | 3 Spd, Lever Type |
|-----|-----|----|------|------|-------------------|

HORNET

| | | | | | |
|-----|-----|----|------|------|-------|
| 3.8 | 232 | L6 | 1974 | 1976 | 3 Spd |
|-----|-----|----|------|------|-------|

| | | | | | |
|-----|-----|----|------|------|-------|
| 4.2 | 256 | L6 | 1974 | 1976 | 3 Spd |
|-----|-----|----|------|------|-------|

| | | | | | |
|-----|-----|----|------|------|-------|
| 5.9 | 360 | V8 | 1971 | 1972 | 4 Spd |
|-----|-----|----|------|------|-------|

| | | | | | |
|-----|-----|----|------|------|--------------------------|
| 5.9 | 360 | V8 | 1971 | 1972 | 4 Spd, 4 BBL, Lever type |
|-----|-----|----|------|------|--------------------------|

JAVELIN

| | | | | | |
|-----|-----|----|------|------|-------|
| 5.6 | 342 | V8 | 1968 | 1969 | 4 Spd |
|-----|-----|----|------|------|-------|

| | | | | | |
|-----|-----|----|------|------|--------------|
| 5.9 | 360 | V8 | 1970 | 1970 | 4 Spd, 4 BBL |
|-----|-----|----|------|------|--------------|

| | | | | | |
|-----|-----|----|------|------|-------------------|
| 5.9 | 360 | V8 | 1971 | 1974 | 3 Spd, Lever Type |
|-----|-----|----|------|------|-------------------|

| | | | | | |
|-----|-----|----|------|------|--------------|
| 6.4 | 391 | V8 | 1968 | 1970 | 4 Spd, 4 BBL |
|-----|-----|----|------|------|--------------|

| | | | | | |
|-----|-----|----|------|------|-------------------|
| 6.6 | 403 | V8 | 1971 | 1974 | 3 Spd, Lever Type |
|-----|-----|----|------|------|-------------------|

MARLIN

| | | | | | |
|-----|-----|----|------|------|---|
| 4.7 | 287 | V8 | 1965 | 1966 | — |
|-----|-----|----|------|------|---|

| | | | | | |
|-----|-----|----|------|------|-------|
| 4.8 | 293 | V8 | 1967 | 1967 | 4 Spd |
|-----|-----|----|------|------|-------|

| | | | | | |
|-----|-----|----|------|------|---|
| 5.4 | 330 | V8 | 1965 | 1966 | — |
|-----|-----|----|------|------|---|

| | | | | | |
|-----|-----|----|------|------|-------|
| 5.6 | 342 | V8 | 1967 | 1967 | 4 Spd |
|-----|-----|----|------|------|-------|

MATADOR

| | | | | | |
|-----|-----|----|------|------|-------------------|
| 5.9 | 360 | V8 | 1971 | 1974 | 3 Spd, Lever Type |
|-----|-----|----|------|------|-------------------|

| | | | | | |
|-----|-----|----|------|------|-------------------|
| 6.6 | 403 | V8 | 1971 | 1974 | 3 Spd, Lever Type |
|-----|-----|----|------|------|-------------------|

PACER

| | | | | | |
|-----|-----|----|------|------|-------|
| 3.8 | 232 | L6 | 1975 | 1977 | 3 Spd |
|-----|-----|----|------|------|-------|

| | | | | | |
|-----|-----|----|------|------|-------|
| 4.2 | 256 | L6 | 1975 | 1977 | 3 Spd |
|-----|-----|----|------|------|-------|

REBEL

| | | | | | |
|-----|-----|----|------|------|-------|
| 4.8 | 293 | V8 | 1968 | 1969 | 3 Spd |
|-----|-----|----|------|------|-------|

| | | | | | |
|-----|-----|----|------|------|-------|
| 5.6 | 342 | V8 | 1968 | 1969 | 4 Spd |
|-----|-----|----|------|------|-------|

| | | | | | |
|-----|-----|----|------|------|---|
| 5.9 | 360 | V8 | 1970 | 1970 | — |
|-----|-----|----|------|------|---|

| | | | | | |
|-----|-----|----|------|------|--------------|
| 6.4 | 391 | V8 | 1969 | 1970 | 4 Spd, 4 BBL |
|-----|-----|----|------|------|--------------|

SPIRIT

| | | | | | |
|-----|-----|----|------|------|---|
| 2.5 | 153 | L4 | 1980 | 1982 | — |
|-----|-----|----|------|------|---|

AUDI

100, 100 QUATTRO

| | | | | | |
|-----|------|----|------|------|---|
| 1.8 | 1760 | L4 | 1970 | 1971 | — |
|-----|------|----|------|------|---|

| | | | | | |
|-----|------|----|------|------|---|
| 1.9 | 1872 | L4 | 1972 | 1974 | — |
|-----|------|----|------|------|---|

| | | | | | |
|-----|------|----|------|------|---|
| 1.9 | 1871 | L4 | 1975 | 1977 | — |
|-----|------|----|------|------|---|

| | | | | | |
|-----|------|----|------|------|---|
| 2.3 | 2309 | L5 | 1989 | 1989 | — |
|-----|------|----|------|------|---|

| | | | | | |
|-----|------|----|------|------|---|
| 2.3 | 2309 | L5 | 1989 | 1991 | — |
|-----|------|----|------|------|---|

200, 200 QUATTRO

| | | | | | |
|-----|------|----|------|------|-------|
| 2.2 | 2226 | L5 | 1989 | 1991 | Turbo |
|-----|------|----|------|------|-------|

4000, 4000S, 4000 QUATTRO

| | | | | | |
|-----|------|----|------|------|-----|
| 1.6 | 1588 | L4 | 1980 | 1980 | Gas |
|-----|------|----|------|------|-----|

| | | | | | |
|-----|------|----|------|------|--------|
| 1.6 | 1588 | L4 | 1982 | 1983 | Diesel |
|-----|------|----|------|------|--------|

| | | | | | |
|-----|------|----|------|------|---------------|
| 1.6 | 1588 | L4 | 1982 | 1983 | Turbo, Diesel |
|-----|------|----|------|------|---------------|

4000, 4000S, 4000 QUATTRO (CANADA)

| | | | | | |
|-----|------|----|------|------|---|
| 1.8 | 1780 | L4 | 1984 | 1987 | — |
|-----|------|----|------|------|---|

| | | | | | |
|-----|------|----|------|------|---------|
| 2.2 | 2144 | L5 | 1980 | 1983 | WE eng. |
|-----|------|----|------|------|---------|

| | | | | | |
|-----|------|----|------|------|---|
| 2.2 | 2144 | L5 | 1984 | 1987 | — |
|-----|------|----|------|------|---|

| | | | | | |
|-----|------|----|------|------|---|
| 1.8 | 1780 | L4 | 1987 | 1987 | — |
|-----|------|----|------|------|---|

| | | | | | |
|-----|------|----|------|------|---|
| 2.2 | 2144 | L5 | 1984 | 1986 | — |
|-----|------|----|------|------|---|

| Kit | Disc (mm) | Disc (in) | Spline Dia | Splines | Master Cyl | Slave Cyl | Clutch Cable | Clutch Fork | New Flywheel |
|-------|-----------|-----------|------------|---------|------------|-----------|--------------|-------------|--------------|
| 01001 | 232 | 9-1/8 | 1-1/8 | 10 | — | SC833 | — | — | — |
| 01010 | 228 | 9 | 1 | 14 | — | SC833 | — | — | — |
| 01001 | 232 | 9-1/8 | 1-1/8 | 10 | — | SC723 | — | — | — |
| 01007 | 265 | 10-1/2 | 1-1/8 | 10 | — | SC832 | — | — | — |
| 01025 | 280 | 11 | 1-1/8 | 10 | — | — | — | — | — |
| 01009 | 225 | 8-7/8 | 1-1/16 | 10 | — | — | — | — | — |
| 01009 | 225 | 8-7/8 | 1-1/16 | 10 | — | — | — | — | — |
| 01026 | 265 | 10-1/2 | 1-1/8 | 10 | — | — | — | — | — |
| 01025 | 280 | 11 | 1-1/8 | 10 | — | — | — | — | — |
| 01026 | 265 | 10-1/2 | 1-1/8 | 10 | — | — | — | — | — |
| 01026 | 265 | 10-1/2 | 1-1/8 | 10 | — | — | — | — | — |
| 01025 | 280 | 11 | 1-1/8 | 10 | — | — | — | — | — |
| 01026 | 265 | 10-1/2 | 1-1/8 | 10 | — | — | — | — | — |
| 01026 | 265 | 10-1/2 | 1-1/8 | 10 | — | — | — | — | — |
| 01026 | 265 | 10-1/2 | 1-1/8 | 10 | — | — | — | — | — |
| 01026 | 265 | 10-1/2 | 1-1/8 | 10 | — | — | — | — | — |
| 01025 | 280 | 11 | 1-1/8 | 10 | — | — | — | — | — |
| 01025 | 280 | 11 | 1-1/8 | 10 | — | — | — | — | — |
| 01009 | 225 | 8-7/8 | 1-1/16 | 10 | — | — | — | — | — |
| 01009 | 225 | 8-7/8 | 1-1/16 | 10 | — | — | — | — | — |
| 01026 | 265 | 10-1/2 | 1-1/8 | 10 | — | — | — | — | — |
| 01026 | 265 | 10-1/2 | 1-1/8 | 10 | — | — | — | — | — |
| 01025 | 280 | 11 | 1-1/8 | 10 | — | — | — | — | — |
| 01026 | 265 | 10-1/2 | 1-1/8 | 10 | — | — | — | — | — |
| 01001 | 232 | 9-1/8 | 1-1/8 | 10 | — | SC833 | — | — | — |
| 17030 | 215 | 8-1/2 | 13/16 | 24 | — | — | — | — | — |
| 17030 | 215 | 8-1/2 | 13/16 | 24 | — | — | — | — | — |
| 17030 | 215 | 8-1/2 | 13/16 | 24 | — | — | — | — | — |
| 02020 | 228 | 9 | 15/16 | 23 | — | — | — | — | — |
| 02020 | 228 | 9 | 15/16 | 23 | MC102 | — | — | — | — |
| 02021 | 240 | 9-1/2 | 13/16 | 24 | MC102 | — | — | — | — |
| 17001 | 200 | 7-7/8 | 13/16 | 24 | — | — | — | — | — |
| 17002 | 190 | 7-1/2 | 1 | 24 | MC101 | SC509 | — | — | — |
| 17001 | 200 | 7-7/8 | 13/16 | 24 | MC101 | SC509 | — | — | — |
| 17031 | 210 | 8-1/4 | 13/16 | 24 | MC101 | SC509 | — | — | — |
| 17030 | 215 | 8-1/2 | 13/16 | 24 | MC101 | SC509 | — | — | — |
| 02011 | 228 | 9 | 13/16 | 24 | MC101 | SC509 | — | — | — |
| 17031 | 210 | 8-1/4 | 13/16 | 24 | MC101 | SC509 | — | — | — |
| 02011 | 228 | 9 | 13/16 | 24 | MC101 | SC509 | — | — | — |

1

| Liter | CC/IN | Cyl | Years | | Application Information |
|---------------------------------------|-------|-----|-------|------|---|
| | | | To | From | |
| AUDI CONT. | | | | | |
| 5000, 5000 QUATTRO | | | | | |
| 2.0 | 1986 | L5 | 1979 | 1981 | Diesel |
| 2.0 | 1986 | L5 | 1982 | 1985 | Turbo, Diesel |
| 2.2 | 2144 | L5 | 1978 | 1984 | Non-Turbo |
| 2.2 | 2144 | L5 | 1980 | 1982 | Turbo |
| 2.2 | 2144 | L5 | 1983 | 1985 | Turbo |
| 2.2 | 2226 | L5 | 1985 | 1987 | Non-Turbo |
| 2.2 | 2226 | L5 | 1986 | 1988 | Turbo |
| 2.3 | 2309 | L5 | 1987 | 1988 | — |
| 80, 80 QUATTRO, 90, 90 QUATTRO | | | | | |
| 2.0 | 1983 | L4 | 1988 | 1990 | — |
| 2.3 | 2309 | L5 | 1988 | 1992 | SOHC |
| 2.3 | 2309 | L5 | 1990 | 1991 | DOHC, 20 Valve |
| A3 | | | | | |
| 2.0 | 1984 | L4 | 2006 | 2007 | Turbo, Includes Slave Cylinder, Sold as Kit Only |
| A4, A4 QUATTRO | | | | | |
| 1.8 | 1781 | L4 | 1997 | 2001 | Turbo |
| 1.8 | 1781 | L4 | 2002 | 2005 | Turbo, Sold as Kit Only |
| 2.8 | 2771 | V6 | 1996 | 1996 | — |
| 2.8 | 2771 | V6 | 1997 | 1997 | — |
| 2.8 | 2771 | V6 | 1998 | 2001 | — |
| 3.0 | 2976 | V6 | 2002 | 2004 | 6 Spd., Sold as Kit Only |
| 3.2 | 3123 | V6 | 2007 | 2007 | Sold as Kit Only |
| A6, A6 QUATTRO | | | | | |
| 2.7 | 2671 | V6 | 2000 | 2004 | Turbo |
| 2.8 | 2771 | V6 | 1995 | 1997 | — |
| ALLROAD QUATTRO | | | | | |
| 2.7 | 2671 | V6 | 2001 | 2005 | Turbo, Sold as Kit Only |
| COUPE GT, QUATTRO | | | | | |
| 2.2 | 2144 | L5 | 1981 | 1984 | — |
| 2.2 | 2144 | L5 | 1983 | 1985 | Turbo |
| 2.2 | 2226 | L5 | 1984 | 1985 | — |
| 2.2 | 2226 | L5 | 1986 | 1986 | — |
| 2.2 | 2226 | L5 | 1987 | 1987 | — |
| 2.3 | 2309 | L5 | 1987 | 1987 | — |
| 2.3 | 2309 | L5 | 1990 | 1991 | 20 Valve Engine |
| FOX | | | | | |
| 1.5 | 1471 | L4 | 1973 | 1974 | — |
| 1.6 | 1588 | L4 | 1975 | 1979 | — |
| S4 | | | | | |
| 2.2 | 2226 | L5 | 1993 | 1994 | Turbo, 20V, From CH #4AP080001 |
| 2.7 | 2671 | V6 | 2000 | 2002 | Turbo |
| 4.2 | 4163 | V8 | 2004 | 2004 | Sold as Kit Only |
| 4.2 | 4163 | V8 | 2005 | 2007 | Sold as Kit Only |
| S6 | | | | | |
| 2.2 | 2226 | L5 | 1995 | 1997 | Turbo, 20 Valve Turbo, Sold As Kit Only |
| TT, TT QUATTRO | | | | | |
| 1.8 | 1781 | L4 | 2001 | 2001 | Turbo, 5 Spd, From CH #8N1006001, Includes DMF, Sold As Kit Only |
| 1.8 | 1781 | L4 | 2001 | 2001 | 6spd, Slave Cylinder Included, Sold as kit only |
| 1.8 | 1781 | L4 | 2001 | 2001 | Turbo, 5 Spd, From CH #8N1006001, Solid FW Replacement for OEM Dual Mass FW, Sold As Kit Only |
| 1.8 | 1781 | L4 | 2002 | 2003 | Turbo, Sold as kit only, Includes Slave Cylinder, AWP Eng., TT Quattro |
| 1.8 | 1781 | L4 | 2002 | 2003 | Turbo, Includes Dual Mass FW |
| 1.8 | 1781 | L4 | 2002 | 2003 | Turbo, Includes Solid FW replacement for OEM Dual Mass FW |
| 1.8 | 1781 | L4 | 2004 | 2004 | Turbo, Sold as kit only, Includes Slave Cylinder, TT Quattro |
| 1.8 | 1781 | L4 | 2005 | 2005 | Turbo, Sold as kit only, Includes Slave Cylinder |

| Kit | Disc (mm) | Disc (in) | Spline Dia | Splines | Master Cyl | Slave Cyl | Clutch Cable | Clutch Fork | New Flywheel |
|----------|-----------|-----------|------------|---------|------------|-----------|--------------|-------------|------------------|
| 02019 | 215 | 8-1/2 | 13/16 | 24 | MC102 | SC509 | — | — | — |
| 02011 | 228 | 9 | 13/16 | 24 | MC102 | SC509 | — | — | — |
| 02011 | 228 | 9 | 13/16 | 24 | MC102 | SC509 | — | — | — |
| 02011 | 228 | 9 | 13/16 | 24 | MC102 | SC509 | — | — | — |
| 02018 | 240 | 9-1/2 | 13/16 | 24 | MC102 | SC509 | — | — | — |
| 02011 | 228 | 9 | 13/16 | 24 | MC102 | SC509 | — | — | — |
| 02018 | 240 | 9-1/2 | 13/16 | 24 | MC102 | SC509 | — | — | — |
| 02011 | 228 | 9 | 13/16 | 24 | MC101 | — | — | — | — |
| 02022 | 228 | 9 | 15/16 | 23 | — | — | — | — | — |
| 02020 | 228 | 9 | 15/16 | 23 | — | — | — | — | — |
| 02023 | 240 | 9-1/2 | 15/16 | 23 | — | — | — | — | — |
| VWK1005 | 240 | 9-7/16 | 15/16 | 23 | — | — | — | — | — |
| VWK1001 | 228 | 9 | 15/16 | 23 | MC108 | — | — | — | FWDM02 (1997-99) |
| VWK1001 | 228 | 9 | 15/16 | 23 | — | — | — | — | FWDM01 (2000-05) |
| AUK1001 | 240 | 9-7/16 | 15/16 | 23 | — | — | — | — | — |
| AUK1001 | 240 | 9-7/16 | 15/16 | 23 | MC108 | — | — | — | — |
| AUK1001 | 240 | 9-7/16 | 15/16 | 23 | — | — | — | — | — |
| AUK1003 | 240 | 9-7/16 | 15/16 | 23 | — | — | — | — | — |
| AUK1006 | 240 | 9-7/16 | 15/16 | 23 | — | — | — | — | — |
| AUK1002 | 240 | 9-7/16 | 15/16 | 23 | — | — | — | — | — |
| 02026 | 240 | 9-1/2 | 15/16 | 23 | MC108 | — | — | — | — |
| AUK1002 | 240 | 9-7/16 | 15/16 | 23 | — | — | — | — | — |
| 17030 | 215 | 8-1/2 | 13/16 | 24 | — | — | — | — | — |
| 02018 | 240 | 9-1/2 | 13/16 | 24 | MC101 | — | — | — | — |
| 02011 | 228 | 9 | 13/16 | 24 | — | — | — | — | — |
| 02011 | 228 | 9 | 13/16 | 24 | MC101 | SC509 | — | — | — |
| 02011 | 228 | 9 | 13/16 | 24 | — | — | — | — | — |
| 02011 | 228 | 9 | 13/16 | 24 | MC101 | — | — | — | — |
| 02023 | 240 | 9-1/2 | 15/16 | 23 | — | — | — | — | — |
| 17002 | 190 | 7-1/2 | 1 | 24 | — | — | — | — | — |
| 17001 | 200 | 7-7/8 | 13/16 | 24 | — | — | — | — | — |
| 02026 | 240 | 9-1/2 | 15/16 | 23 | MC102 | — | — | — | — |
| AUK1002 | 240 | 9-7/16 | 15/16 | 23 | — | — | — | — | — |
| AUK1005 | 240 | 9-7/16 | 15/16 | 23 | — | — | — | — | — |
| AUK1004 | 240 | 9-7/16 | 15/16 | 23 | — | — | — | — | — |
| AUK1000 | 240 | 9-1/2 | 15/16 | 23 | MC102 | — | — | — | — |
| VWK1000 | 225 | 8-7/8 | 7/8 | 28 | MC110 | — | — | — | — |
| VWK1002 | 240 | 9-7/16 | 15/16 | 23 | MC110 | — | — | — | — |
| VWK1000A | 225 | 8-7/8 | 7/8 | 28 | MC110 | — | — | — | — |
| VWK1002 | 240 | 9-7/16 | 15/16 | 23 | MC110 | — | — | — | — |
| VWK1000 | 225 | 8-7/8 | 7/8 | 28 | MC110 | — | — | — | — |
| VWK1000A | 225 | 8-7/8 | 7/8 | 28 | MC110 | — | — | — | — |
| VWK1002 | 240 | 9-7/16 | 15/16 | 23 | MC110 | — | — | — | — |
| VWK1002 | 240 | 9-7/16 | 15/16 | 23 | MC110 | — | — | — | — |

1

| Liter | CC/IN | Cyl | Years | | Application Information |
|--|-------|-----|-------|------|----------------------------------|
| | | | To | From | |
| BMW | | | | | |
| <i>2000, 2000C, CS, TI, TII. 2002TI, TII</i> | | | | | |
| 2.0 | 1990 | L4 | 1966 | 1974 | Sold As Kit Only |
| 2.0 | 1990 | L4 | 1971 | 1976 | Sold As Kit Only |
| 2.0 | 1990 | L4 | 1973 | 1974 | Turbo, Sold As Kit Only |
| <i>2500, 2800, 2800CS, 3.0, BAVARIA</i> | | | | | |
| 2.8 | 2788 | L6 | 1974 | 1974 | 2800, Sold As Kit Only |
| 3.0 | 2985 | L6 | 1971 | 1971 | 3.0CSL |
| 3.0 | 2985 | L6 | 1971 | 1971 | 3.0SI |
| 3.0 | 2985 | L6 | 1971 | 1972 | 3.0CS |
| 3.0 | 2985 | L6 | 1971 | 1972 | 3.0CSI |
| 3.0 | 2985 | L6 | 1971 | 1972 | 3.0S |
| 3.0 | 2985 | L6 | 1973 | 1974 | 3.0CS |
| 3.0 | 2985 | L6 | 1973 | 1974 | 3.0CSI |
| 3.0 | 2985 | L6 | 1973 | 1974 | 3.0S |
| 3.0 | 2985 | L6 | 1975 | 1976 | 3.0SI |
| <i>318i, IC, IS, TI</i> | | | | | |
| 1.8 | 1766 | L4 | 1984 | 1985 | — |
| 1.8 | 1796 | L4 | 1991 | 1995 | With Air Conditioning & DMF |
| 1.9 | 1895 | L4 | 1996 | 1996 | With Air Conditioning |
| 1.9 | 1895 | L4 | 1997 | 1997 | With Air Conditioning, To 3/97 |
| 1.9 | 1895 | L4 | 1997 | 1997 | With Air Conditioning, From 4/87 |
| 1.9 | 1895 | L4 | 1998 | 1999 | With Air Conditioning |
| <i>320i</i> | | | | | |
| 1.8 | 1766 | L4 | 1980 | 1983 | — |
| 2.0 | 1990 | L4 | 1977 | 1979 | — |
| <i>323Ci, I, IC</i> | | | | | |
| 2.5 | 2494 | L6 | 1998 | 1999 | — |
| 2.5 | 2494 | L6 | 2000 | 2000 | — |
| 2.5 | 2494 | L6 | 1998 | 1999 | — |
| <i>325, Ci, E, ES, I, IC, IS, IX, XI</i> | | | | | |
| 2.5 | 2494 | L6 | 1987 | 1989 | 325IS |
| 2.5 | 2494 | L6 | 1987 | 1990 | 325I |
| 2.5 | 2494 | L6 | 1988 | 1990 | 325IX |
| 2.5 | 2494 | L6 | 1990 | 1992 | 325IS |
| 2.5 | 2494 | L6 | 1991 | 1991 | 325I |
| 2.5 | 2494 | L6 | 1991 | 1991 | 325IX |
| 2.5 | 2494 | L6 | 1992 | 1992 | 325I |
| 2.5 | 2494 | L6 | 1992 | 1993 | 325IC |
| 2.7 | 2693 | L6 | 1984 | 1986 | — |
| 2.7 | 2693 | L6 | 1987 | 1988 | — |
| 2.5 | 2494 | L6 | 2004 | 2004 | Sold as Kit Only |
| 2.5 | 2494 | L6 | 2005 | 2005 | Sold as Kit Only |
| <i>328Ci, I, IC, IS</i> | | | | | |
| 2.8 | 2793 | L6 | 1996 | 1997 | 328I, IC, IS Sold As Kit Only |
| 2.8 | 2793 | L6 | 1998 | 1998 | 328I, IC, IS Sold As Kit Only |
| 2.8 | 2793 | L6 | 1999 | 2000 | 328I, CI, Sold As Kit Only |
| <i>330i, Ci, XI</i> | | | | | |
| 3.0 | 2979 | L6 | 2001 | 2003 | Sold as Kit Only |
| 3.0 | 2979 | L6 | 2004 | 2004 | Sold as Kit Only |
| 3.0 | 2979 | L6 | 2005 | 2005 | Sold as Kit Only |
| 3.0 | 2979 | L6 | 2001 | 2003 | Sold as Kit Only |
| 3.0 | 2979 | L6 | 2004 | 2004 | Sold as Kit Only |
| 3.0 | 2979 | L6 | 2005 | 2005 | Sold as Kit Only |
| 3.0 | 2996 | L6 | 2006 | 2006 | — |
| 3.0 | 2979 | L6 | 2001 | 2003 | Sold as Kit Only |

| Kit | Disc (mm) | Disc (in) | Spline Dia | Splines | Master Cyl | Slave Cyl | Clutch Cable | Clutch Fork | New Flywheel |
|---------|-----------|-----------|------------|---------|------------|-----------|--------------|-------------|--------------|
| KBM05 | 228 | 9 | 1-1/8 | 10 | — | — | — | — | — |
| KBM03 | 215 | 8-1/2 | 1-1/8 | 10 | — | — | — | — | — |
| KBM05 | 228 | 9 | 1-1/8 | 10 | — | — | — | — | — |
| 03015 | 240 | 9-1/2 | 1-1/8 | 10 | — | SC516 | — | — | — |
| 03015 | 240 | 9-1/2 | 1-1/8 | 10 | — | — | — | — | — |
| 03015 | 240 | 9-1/2 | 1-1/8 | 10 | — | — | — | — | — |
| 03015 | 240 | 9-1/2 | 1-1/8 | 10 | — | — | — | — | — |
| 03015 | 240 | 9-1/2 | 1-1/8 | 10 | — | — | — | — | — |
| 03015 | 240 | 9-1/2 | 1-1/8 | 10 | — | — | — | — | — |
| 03015 | 240 | 9-1/2 | 1-1/8 | 10 | — | SC516 | — | — | — |
| 03015 | 240 | 9-1/2 | 1-1/8 | 10 | — | SC516 | — | — | — |
| 03015 | 240 | 9-1/2 | 1-1/8 | 10 | — | SC516 | — | — | — |
| 03015 | 240 | 9-1/2 | 1-1/8 | 10 | — | SC516 | — | — | — |
| 03002 | 215 | 8-1/2 | 1-1/8 | 10 | MC113 | SC517 | — | — | — |
| 03028 | 215 | 8-1/2 | 1-1/8 | 10 | MC116 | SC518 | — | — | — |
| 03028 | 215 | 8-1/2 | 1-1/8 | 10 | MC116 | SC518 | — | — | — |
| 03028 | 215 | 8-1/2 | 1-1/8 | 10 | MC116 | SC518 | — | — | — |
| 03028 | 215 | 8-1/2 | 1-1/8 | 10 | — | SC518 | — | — | — |
| 03028 | 215 | 8-1/2 | 1-1/8 | 10 | — | SC518 | — | — | — |
| 03002 | 215 | 8-1/2 | 1-1/8 | 10 | MC114 | SC517 | — | — | — |
| 03002 | 215 | 8-1/2 | 1-1/8 | 10 | MC114 | SC517 | — | — | — |
| 03011 | 228 | 9 | 1-1/8 | 10 | — | SC518 | — | — | — |
| BMK1004 | 228 | 9 | 1-3/16 | 10 | — | SC894 | — | — | — |
| 03011 | 228 | 9 | 1-1/8 | 10 | — | SC518 | — | — | — |
| 03023 | 228 | 9 | 1-9/16 | 10 | MC113 | SC517 | — | — | — |
| 03023 | 228 | 9 | 1-9/16 | 10 | MC113 | SC517 | — | — | — |
| 03023 | 228 | 9 | 1-9/16 | 10 | MC113 | SC517 | — | — | — |
| 03011 | 228 | 9 | 1-1/8 | 10 | MC116 | SC518 | — | — | — |
| 03023 | 228 | 9 | 1-9/16 | 10 | MC116 | SC518 | — | — | — |
| 03023 | 228 | 9 | 1-9/16 | 10 | MC116 | SC517 | — | — | — |
| 03011 | 228 | 9 | 1-1/8 | 10 | MC116 | SC518 | — | — | — |
| 03023 | 228 | 9 | 1-9/16 | 10 | MC116 | SC518 | — | — | — |
| 03013 | 228 | 9 | 1-1/8 | 10 | MC113 | SC517 | — | — | — |
| 03011 | 228 | 9 | 1-1/8 | 10 | MC113 | SC517 | — | — | — |
| BMK1016 | 240 | 9 7/16 | 1 1/8 | 22 | — | SC894 | — | — | — |
| BMK1016 | 240 | 9 7/16 | 1 1/8 | 22 | — | SC516 | — | — | — |
| KBM11 | 240 | 9-1/2 | 1-1/8 | 10 | MC116 | SC518 | — | — | — |
| KBM11 | 240 | 9-1/2 | 1-1/8 | 10 | — | SC518 | — | — | — |
| KBM11 | 240 | 9-1/2 | 1-1/8 | 10 | — | SC894 | — | — | — |
| BMK1017 | 240 | 9-7/16 | 1-1/8 | 10 | — | SC894 | — | — | — |
| BMK1016 | 240 | 9 7/16 | 1 1/8 | 22 | — | SC894 | — | — | — |
| BMK1016 | 240 | 9 7/16 | 1 1/8 | 22 | — | SC516 | — | — | — |
| BMK1017 | 240 | 9-7/16 | 1-1/8 | 10 | — | SC894 | — | — | — |
| BMK1016 | 240 | 9 7/16 | 1 1/8 | 22 | — | SC894 | — | — | — |
| BMK1016 | 240 | 9 7/16 | 1 1/8 | 22 | — | SC516 | — | — | — |
| BMK1012 | 240 | 9-7/16 | 1-1/8 | 22 | — | SC516 | — | — | — |
| BMK1007 | 240 | 9-7/16 | 1-1/8 | 10 | — | SC894 | — | — | — |

1

| Liter | CC/IN | Cyl | Years | | Application Information |
|-------|-------|-----|-------|------|-------------------------|
| | | | To | From | |

BMW CONT.

525i

| | | | | | |
|-----|------|----|------|------|-------------------|
| 2.5 | 2494 | L6 | 1989 | 1990 | — |
| 2.5 | 2494 | L6 | 1991 | 1995 | Twin Cam with DMF |

528, E, I

| | | | | | |
|-----|------|----|------|------|----------------------------------|
| 2.7 | 2693 | L6 | 1982 | 1985 | 528E, Non Pre-Damped |
| 2.7 | 2693 | L6 | 1982 | 1985 | 528E, Pre-Damped |
| 2.7 | 2693 | L6 | 1986 | 1986 | 528E, From 5/1/86 |
| 2.7 | 2693 | L6 | 1986 | 1986 | 528E, Non Pre-Damped, To 4/30/86 |
| 2.7 | 2693 | L6 | 1986 | 1986 | 528E, Pre-Damped, To 4/30/86 |
| 2.7 | 2693 | L6 | 1987 | 1988 | 528E |
| 2.8 | 2788 | L6 | 1979 | 1981 | 528I |
| 2.8 | 2793 | L6 | 1997 | 1998 | 528I, Sold As Kit Only |
| 2.8 | 2793 | L6 | 1999 | 2000 | From 10/98, Sold as Kit Only |

530i

| | | | | | |
|-----|------|----|------|------|------------------|
| 3.0 | 2985 | L6 | 1975 | 1978 | — |
| 3.0 | 2997 | V8 | 1994 | 1995 | Sold As Kit Only |
| 3.0 | 2979 | L6 | 2001 | 2003 | Sold as Kit Only |
| 3.0 | 2979 | L6 | 2004 | 2005 | Sold as Kit Only |
| 3.0 | 2996 | L6 | 2006 | 2007 | — |

533i

| | | | | | |
|-----|------|----|------|------|-------------------------------|
| 3.2 | 3210 | L6 | 1983 | 1983 | — |
| 3.2 | 3210 | L6 | 1984 | 1984 | From 4/1/84, Sold As Kit Only |
| 3.2 | 3210 | L6 | 1984 | 1984 | To 3/31/84 |

535i

| | | | | | |
|-----|------|----|------|------|--------------------------------|
| 3.5 | 3430 | L6 | 1985 | 1986 | Sold As Kit Only |
| 3.5 | 3430 | L6 | 1987 | 1987 | From 12/1/87, Sold As Kit Only |
| 3.5 | 3430 | L6 | 1987 | 1987 | To 11/30/87, Sold As Kit Only |
| 3.5 | 3430 | L6 | 1988 | 1988 | Sold As Kit Only |
| 3.5 | 3430 | L6 | 1989 | 1993 | Sold As Kit Only |
| 3.5 | 3430 | L6 | 1988 | 1988 | — |

540i, IT

| | | | | | |
|-----|------|----|------|------|------------------|
| 4.4 | 4398 | V8 | 1997 | 2003 | Sold as Kit Only |
|-----|------|----|------|------|------------------|

630CSI

| | | | | | |
|-----|------|----|------|------|---|
| 3.0 | 2985 | L6 | 1977 | 1977 | — |
|-----|------|----|------|------|---|

633CSI

| | | | | | |
|-----|------|----|------|------|-------------|
| 3.2 | 3210 | L6 | 1978 | 1981 | — |
| 3.2 | 3210 | L6 | 1982 | 1982 | From 9/82 |
| 3.2 | 3210 | L6 | 1982 | 1982 | To 8/82 |
| 3.2 | 3210 | L6 | 1983 | 1983 | — |
| 3.2 | 3210 | L6 | 1984 | 1984 | From 4/1/84 |
| 3.2 | 3210 | L6 | 1984 | 1984 | To 3/31/84 |

635CSI

| | | | | | |
|-----|------|----|------|------|-------------|
| 3.5 | 3430 | L6 | 1985 | 1987 | To 6/30/87 |
| 3.5 | 3430 | L6 | 1987 | 1989 | From 7/1/87 |

733i

| | | | | | |
|-----|------|----|------|------|-------------|
| 3.2 | 3210 | L6 | 1978 | 1984 | To 3/31/84 |
| 3.2 | 3210 | L6 | 1984 | 1984 | From 4/1/84 |

735i

| | | | | | |
|-----|------|----|------|------|------------------|
| 3.5 | 3430 | L6 | 1985 | 1986 | — |
| 3.5 | 3430 | L6 | 1987 | 1987 | — |
| 3.5 | 3430 | L6 | 1988 | 1992 | Sold As Kit Only |

850Ci, CSI

| | | | | | |
|-----|------|-----|------|------|------------------|
| 5.6 | 5576 | V12 | 1994 | 1995 | Sold As Kit Only |
|-----|------|-----|------|------|------------------|

| Kit | Disc (mm) | Disc (in) | Spline Dia | Splines | Master Cyl | Slave Cyl | Clutch Cable | Clutch Fork | New Flywheel |
|---------|-----------|-----------|------------|---------|------------|-------------|--------------|-------------|--------------|
| 03023 | 228 | 9 | 1-9/16 | 10 | MC115 | SC516 | — | — | — |
| 03011 | 228 | 9 | 1-1/8 | 10 | MC115 | SC516 | — | — | — |
| 03010 | 228 | 9 | 1-1/8 | 10 | MC113 | SC517 | — | — | — |
| 03013 | 228 | 9 | 1-1/8 | 10 | MC113 | SC517 | — | — | — |
| 03011 | 228 | 9 | 1-1/8 | 10 | MC113 | SC517 | — | — | — |
| 03010 | 228 | 9 | 1-1/8 | 10 | MC113 | SC517 | — | — | — |
| 03013 | 228 | 9 | 1-1/8 | 10 | MC113 | SC517 | — | — | — |
| 03011 | 228 | 9 | 1-1/8 | 10 | MC113 | SC517 | — | — | — |
| 03015 | 240 | 9-1/2 | 1-1/8 | 10 | MC114 | SC517 | — | — | — |
| KBM11 | 240 | 9-1/2 | 1-1/8 | 10 | — | SC516 | — | — | — |
| BMK1005 | 240 | 9-7/16 | 1-1/8 | 10 | — | SC516(2000) | — | — | — |
| 03015 | 240 | 9-1/2 | 1-1/8 | 10 | MC114 | SC517 | — | — | — |
| KBM08 | 240 | 9-1/2 | 1-1/8 | 10 | — | SC516 | — | — | — |
| BMK1017 | 240 | 9-7/16 | 1-1/8 | 10 | — | SC516 | — | — | — |
| BMK1016 | 240 | 9 7/16 | 1 1/8 | 22 | — | SC516 | — | — | — |
| BMK1012 | 240 | 9-7/16 | 1-1/8 | 22 | — | SC516 | — | — | — |
| 03015 | 240 | 9-1/2 | 1-1/8 | 10 | — | — | — | — | — |
| KBM01 | 240 | 9-1/2 | 1-1/8 | 10 | — | — | — | — | — |
| 03015 | 240 | 9-1/2 | 1-1/8 | 10 | — | — | — | — | — |
| KBM01 | 240 | 9-1/2 | 1-1/8 | 10 | — | — | — | — | — |
| KBM04 | 240 | 9-1/2 | 1-1/8 | 10 | — | — | — | — | — |
| KBM01 | 240 | 9-1/2 | 1-1/8 | 10 | — | — | — | — | — |
| KBM04 | 240 | 9-1/2 | 1-1/8 | 10 | MC115 | SC516 | — | — | — |
| KBM01 | 240 | 9-1/2 | 1-1/8 | 10 | — | — | — | — | — |
| BMK1002 | 240 | 9-7/16 | 1-3/8 | 10 | — | SC516 | — | — | — |
| 03015 | 240 | 9-1/2 | 1-1/8 | 10 | MC114 | SC517 | — | — | — |
| 03015 | 240 | 9-1/2 | 1-1/8 | 10 | MC114 | SC517 | — | — | — |
| 03015 | 240 | 9-1/2 | 1-1/8 | 10 | MC113 | SC517 | — | — | — |
| 03015 | 240 | 9-1/2 | 1-1/8 | 10 | MC114 | SC517 | — | — | — |
| 03015 | 240 | 9-1/2 | 1-1/8 | 10 | MC113 | SC517 | — | — | — |
| KBM07 | 240 | 9-1/2 | 1-1/8 | 10 | MC113 | SC517 | — | — | — |
| 03015 | 240 | 9-1/2 | 1-1/8 | 10 | MC113 | SC517 | — | — | — |
| KBM01 | 240 | 9-1/2 | 1-1/8 | 10 | MC113 | SC517 | — | — | — |
| KBM07 | 240 | 9-1/2 | 1-1/8 | 10 | MC113 | SC517 | — | — | — |
| 03015 | 240 | 9-1/2 | 1-1/8 | 10 | — | — | — | — | — |
| KBM01 | 240 | 9-1/2 | 1-1/8 | 10 | MC114 | SC516 | — | — | — |
| KBM01 | 240 | 9-1/2 | 1-1/8 | 10 | MC114 | SC516 | — | — | — |
| KBM01 | 240 | 9-1/2 | 1-1/8 | 10 | MC115 | SC516 | — | — | — |
| KBM07 | 240 | 9-1/2 | 1-1/8 | 10 | MC115 | SC516 | — | — | — |
| KBM10 | 280 | 11 | 1-3/8 | 10 | MC115 | — | — | — | — |

1

| Liter | CC/IN | Cyl | Years | | Application Information |
|-------|-------|-----|-------|------|-------------------------|
| | | | To | From | |

BMW CONT.

M3

| | | | | | |
|-----|------|----|------|------|-----------------------------------|
| 2.3 | 2302 | L4 | 1988 | 1991 | — |
| 3.0 | 2990 | L6 | 1995 | 1995 | Sold As Kit Only |
| 3.2 | 3152 | L6 | 1996 | 1997 | 5 Spd, Sold as Kit Only |
| 3.2 | 3152 | L6 | 1998 | 1999 | 5 Spd, Sold as Kit Only |
| 3.2 | 3246 | L6 | 2001 | 2006 | 6 Spd From 3/01, Sold as Kit Only |

M5

| | | | | | |
|-----|------|----|------|------|------------------|
| 3.5 | 3453 | L6 | 1988 | 1988 | Sold As Kit Only |
| 3.6 | 3553 | L6 | 1991 | 1993 | Sold As Kit Only |
| 5.0 | 4941 | V8 | 2000 | 2003 | Sold as Kit Only |

M6

| | | | | | |
|-----|------|----|------|------|------------------|
| 3.5 | 3453 | L6 | 1987 | 1988 | Sold As Kit Only |
|-----|------|----|------|------|------------------|

X3

| | | | | | |
|-----|------|----|------|------|------------------|
| 2.5 | 2494 | L6 | 2004 | 2005 | Sold as Kit Only |
| 3.0 | 2979 | L6 | 2004 | 2005 | Sold as Kit Only |

X5

| | | | | | |
|-----|------|----|------|------|------------------|
| 3.0 | 2979 | L6 | 2001 | 2003 | Sold as Kit Only |
|-----|------|----|------|------|------------------|

Z3

| | | | | | |
|-----|------|----|------|------|------------------------------|
| 1.9 | 1895 | L4 | 1996 | 1997 | To 2/97 |
| 1.9 | 1895 | L4 | 1997 | 1998 | From 3/97 |
| 2.8 | 2793 | L6 | 1997 | 1997 | To 2/97 |
| 2.8 | 2793 | L6 | 1997 | 1998 | From 3/97, Sold As Kit Only |
| 2.8 | 2793 | L6 | 1999 | 2000 | From 10/98, Sold as Kit Only |
| 3.0 | 2979 | L6 | 2001 | 2002 | Sold as Kit Only |
| 3.2 | 3152 | L6 | 1998 | 2002 | 5 Spd, Sold as Kit Only |

Z4

| | | | | | |
|-----|------|----|------|------|----------------------------------|
| 2.5 | 2494 | L6 | 2003 | 2005 | Sold as Kit Only |
| 3.0 | 2979 | L6 | 2003 | 2005 | Sold as Kit Only |
| 3.0 | 2996 | L6 | 2006 | 2007 | To Mar 31/2007, Sold as Kit Only |
| 3.0 | 2996 | L6 | 2007 | 2007 | Sold as Kit Only |

Z8

| | | | | | |
|-----|------|----|------|------|------------------|
| 5.0 | 4941 | V8 | 2000 | 2000 | Sold as Kit Only |
| 5.0 | 4941 | V8 | 2001 | 2003 | Sold as Kit Only |

BUICK

APOLLO

| | | | | | |
|-----|-----|----|------|------|-------|
| 4.1 | 250 | L6 | 1973 | 1975 | 3 Spd |
|-----|-----|----|------|------|-------|

CENTURION, CENTURY, ELECTRA, GRAN SPORT, LASABRE, REGAL, SKYLARK, SPECIAL, WILDCAT

| | | | | | |
|-----|-----|----|------|------|---------------------|
| 2.5 | 153 | L4 | 1980 | 1984 | X Body |
| 2.5 | 153 | L4 | 1985 | 1985 | X Body |
| 2.5 | 153 | L4 | 1985 | 1986 | N Body |
| 2.5 | 153 | L4 | 1987 | 1988 | N Body |
| 2.5 | 153 | L4 | 1989 | 1989 | N Body |
| 2.8 | 171 | V6 | 1980 | 1985 | X Body |
| 2.8 | 171 | V6 | 1984 | 1985 | — |
| 2.8 | 171 | V6 | 1988 | 1988 | — |
| 3.0 | 183 | V6 | 1987 | 1988 | — |
| 3.2 | 195 | V6 | 1978 | 1978 | — |
| 3.2 | 195 | V6 | 1979 | 1979 | — |
| 3.7 | 226 | V6 | 1964 | 1967 | — |
| 3.8 | 232 | V6 | 1976 | 1977 | 9-1/8" Disc |
| 3.8 | 232 | V6 | 1976 | 1977 | 9-1/8" Disc |
| 3.8 | 232 | V6 | 1977 | 1977 | 3 Spd, 10-3/8" Disc |
| 3.8 | 232 | V6 | 1977 | 1979 | 3 Spd, 10" Disc |
| 3.8 | 232 | V6 | 1978 | 1978 | — |
| 3.8 | 232 | V6 | 1978 | 1978 | 10-3/8" Disc |
| 3.8 | 232 | V6 | 1978 | 1978 | Turbo, 10-3/8" Disc |

| Kit | Disc (mm) | Disc (in) | Spline Dia | Splines | Master Cyl | Slave Cyl | Clutch Cable | Clutch Fork | New Flywheel |
|---------|-----------|-----------|------------|---------|------------|-----------|--------------|-------------|--------------|
| 03010 | 228 | 9 | 1-1/8 | 10 | MC113 | SC517 | — | — | — |
| KBM06 | 240 | 9-1/2 | 1-1/8 | 10 | MC116 | SC516 | — | — | — |
| BMK1003 | 240 | 9-1/2 | 1-1/8 | 10 | MC116 | SC516 | — | — | — |
| BMK1003 | 240 | 9-1/2 | 1-1/8 | 10 | — | SC516 | — | — | — |
| BMK1010 | 240 | 9-7/16 | 1-3/8 | 10 | — | SC894 | — | — | — |
| KBM07 | 240 | 9-1/2 | 1-1/8 | 10 | MC113 | SC517 | — | — | — |
| KBM07 | 240 | 9-1/2 | 1-1/8 | 10 | — | — | — | — | — |
| BMK1006 | 240 | 9-7/16 | 1-3/8 | 10 | — | — | — | — | — |
| KBM07 | 240 | 9-1/2 | 1-1/8 | 10 | MC113 | SC517 | — | — | — |
| BMK1016 | 240 | 9 7/16 | 1 1/8 | 22 | — | SC894 | — | — | — |
| BMK1016 | 240 | 9 7/16 | 1 1/8 | 22 | — | SC894 | — | — | — |
| BMK1011 | 240 | 9-7/16 | 1-1/8 | 10 | — | SC516 | — | — | — |
| 03028 | 215 | 8-1/2 | 1-1/8 | 10 | — | SC518 | — | — | — |
| 03028 | 215 | 8-1/2 | 1-1/8 | 10 | — | SC518 | — | — | — |
| KBM11 | 240 | 9-1/2 | 1-1/8 | 10 | MC116 | SC518 | — | — | — |
| KBM11 | 240 | 9-1/2 | 1-1/8 | 10 | — | SC518 | — | — | — |
| BMK1005 | 240 | 9-7/16 | 1-1/8 | 10 | — | SC516 | — | — | — |
| BMK1017 | 240 | 9-7/16 | 1-1/8 | 10 | — | SC516 | — | — | — |
| BMK1003 | 240 | 9-1/2 | 1-1/8 | 10 | — | SC516 | — | — | — |
| BMK1015 | 240 | 9-7/16 | 1-1/8 | 22 | — | SC894 | — | — | — |
| BMK1015 | 240 | 9-7/16 | 1-1/8 | 22 | — | SC894 | — | — | — |
| BMK1012 | 240 | 9-7/16 | 1-1/8 | 22 | — | SC894 | — | — | — |
| BMK1018 | 240 | 9 7/16 | 1 1/8 | 22 | — | SC894 | — | — | — |
| BMK1006 | 240 | 9-7/16 | 1-3/8 | 10 | — | — | — | — | — |
| BMK1006 | 240 | 9-7/16 | 1-3/8 | 10 | — | SC516 | — | — | — |
| 04003 | 254 | 10 | 1-1/8 | 10 | — | — | — | — | — |
| 04077 | 225 | 8-7/8 | 15/16 | 14 | — | — | — | — | — |
| 04077 | 225 | 8-7/8 | 15/16 | 14 | — | SC714 | — | — | — |
| 04005 | 215 | 8-1/2 | 1 | 14 | — | SC714 | — | — | — |
| 04005 | 215 | 8-1/2 | 1 | 14 | MC317 | SC714 | — | — | — |
| 04005 | 215 | 8-1/2 | 1 | 14 | — | — | — | — | — |
| 04077 | 225 | 8-7/8 | 15/16 | 14 | — | — | — | — | FWGM111 |
| 04077 | 225 | 8-7/8 | 15/16 | 14 | — | — | — | — | FWGM111 |
| 04088 | 225 | 8-7/8 | 15/16 | 14 | — | — | — | — | FWGM111 |
| 04005 | 215 | 8-1/2 | 1 | 14 | MC317 | SC714 | — | — | — |
| 04002 | 265 | 10-1/2 | 1-1/8 | 10 | — | — | — | — | — |
| 04021 | 265 | 10-1/2 | 1-1/8 | 10 | — | — | — | — | — |
| 04003 | 254 | 10 | 1-1/8 | 10 | — | — | — | — | — |
| 04062 | 232 | 9-1/8 | 1-1/8 | 10 | — | — | — | — | — |
| 04062 | 232 | 9-1/8 | 1-1/8 | 10 | — | — | — | — | — |
| 04021 | 265 | 10-1/2 | 1-1/8 | 10 | — | — | — | — | — |
| 04003 | 254 | 10 | 1-1/8 | 10 | — | — | — | — | — |
| 04002 | 265 | 10-1/2 | 1-1/8 | 10 | — | — | — | — | — |
| 04002 | 265 | 10-1/2 | 1-1/8 | 10 | — | — | — | — | — |
| 04002 | 265 | 10-1/2 | 1-1/8 | 10 | — | — | — | — | — |

1

| Liter | CC/IN | Cyl | Years | | Application Information |
|-------|-------|-----|-------|------|-------------------------|
| | | | To | From | |

BUICK CONT.

CENTURION, CENTURY, ELECTRA, GRAN SPORT, LASABRE, REGAL, SKYLARK, SPECIAL, WILDCAT CONT.

| | | | | | |
|-----|-----|----|------|------|----------------------------|
| 3.8 | 232 | V6 | 1978 | 1979 | 4 Spd, 10-3/8" Disc |
| 3.8 | 232 | V6 | 1978 | 1979 | Turbo, 3 Spd, 10" Disc |
| 3.8 | 232 | V6 | 1978 | 1979 | Turbo, 4 Spd, 10-3/8" Disc |
| 3.8 | 232 | V6 | 1980 | 1980 | Turbo, 3 Spd, 10-3/8" Disc |
| 3.8 | 232 | V6 | 1980 | 1981 | 3 Spd, 10-3/8" Disc |
| 4.1 | 250 | L6 | 1968 | 1969 | — |
| 4.1 | 250 | L6 | 1968 | 1971 | 3 Spd, 10" Disc |
| 4.9 | 299 | V8 | 1964 | 1967 | — |
| 5.6 | 342 | V8 | 1966 | 1967 | 10-3/8" Disc |
| 5.6 | 342 | V8 | 1966 | 1967 | 11" Disc |
| 5.7 | 348 | V8 | 1968 | 1973 | 3 Spd, 10-3/8" Disc |
| 5.7 | 348 | V8 | 1970 | 1973 | 3 Spd, 11" Disc |
| 5.7 | 348 | V8 | 1970 | 1973 | 4 Spd |
| 5.7 | 348 | V8 | 1973 | 1973 | 4 Spd |
| 6.6 | 403 | V8 | 1966 | 1966 | — |
| 6.6 | 403 | V8 | 1967 | 1969 | — |
| 7.5 | 458 | V8 | 1970 | 1970 | — |
| 7.5 | 458 | V8 | 1970 | 1973 | 2 BBL |
| 7.5 | 458 | V8 | 1970 | 1973 | 4 Spd, 4 BBL |

SKYHAWK

| | | | | | |
|-----|-----|----|------|------|---------------------|
| 1.8 | 110 | L4 | 1982 | 1982 | — |
| 1.8 | 110 | L4 | 1983 | 1983 | 3 Speed and 5 Speed |
| 1.8 | 110 | L4 | 1983 | 1984 | 4 Spd, Non-Turbo |
| 1.8 | 110 | L4 | 1983 | 1984 | 5 Spd, Non-Turbo |
| 1.8 | 110 | L4 | 1984 | 1984 | 4 Spd |
| 1.8 | 110 | L4 | 1984 | 1984 | 5 Spd |
| 1.8 | 110 | L4 | 1984 | 1984 | 5 Spd, Turbo |
| 1.8 | 110 | L4 | 1984 | 1986 | 4 Spd, Turbo |
| 1.8 | 110 | L4 | 1985 | 1986 | 5 Spd, Turbo |
| 1.8 | 110 | L4 | 1986 | 1986 | 4 Spd, Non-Turbo |
| 1.8 | 110 | L4 | 1986 | 1986 | 5 Spd, Non-Turbo |
| 2.0 | 122 | L4 | 1983 | 1984 | 4 Spd |
| 2.0 | 122 | L4 | 1983 | 1984 | 5 Spd |
| 2.0 | 122 | L4 | 1985 | 1986 | 5 Spd |
| 2.0 | 122 | L4 | 1987 | 1987 | 4 Spd |
| 2.0 | 122 | L4 | 1987 | 1987 | 4 Spd, Turbo |
| 2.0 | 122 | L4 | 1987 | 1987 | 5 Spd |
| 2.0 | 122 | L4 | 1987 | 1987 | 5 Spd, Turbo |
| 2.0 | 122 | L4 | 1988 | 1989 | — |
| 3.8 | 232 | V6 | 1976 | 1978 | — |

SOMERSET

| | | | | | |
|-----|-----|----|------|------|---|
| 2.5 | 153 | L4 | 1985 | 1986 | — |
| 2.5 | 153 | L4 | 1987 | 1987 | — |
| 3.0 | 183 | V6 | 1987 | 1987 | — |

CADILLAC

CIMARRON

| | | | | | |
|-----|-----|----|------|------|---|
| 1.8 | 110 | L4 | 1982 | 1982 | — |
| 2.0 | 122 | L4 | 1983 | 1986 | — |
| 2.8 | 171 | V6 | 1985 | 1986 | — |
| 2.8 | 171 | V6 | 1987 | 1988 | — |

CTS

| | | | | | |
|-----|-----|----|------|------|--|
| 3.2 | 195 | V6 | 2003 | 2004 | Sold as Kit Only, Includes CSC Hydraulic Slave |
| 3.6 | 220 | V6 | 2005 | 2007 | Sold as Kit Only, Includes CSC Hydraulic Slave |
| 5.7 | 348 | V8 | 2005 | 2005 | Sold as Kit Only, Includes CSC Hydraulic Slave |
| 6.0 | 366 | V8 | 2006 | 2007 | Sold as Kit Only, Includes CSC Hydraulic Slave |

| Kit | Disc (mm) | Disc (in) | Spline Dia | Splines | Master Cyl | Slave Cyl | Clutch Cable | Clutch Fork | New Flywheel |
|---------|-----------|-----------|------------|---------|------------|-----------|--------------|-------------|--------------|
| 04021 | 265 | 10-1/2 | 1-1/8 | 10 | — | — | — | — | — |
| 04003 | 254 | 10 | 1-1/8 | 10 | — | — | — | — | — |
| 04021 | 265 | 10-1/2 | 1-1/8 | 10 | — | — | — | — | — |
| 04021 | 265 | 10-1/2 | 1-1/8 | 10 | — | — | — | — | — |
| 04021 | 265 | 10-1/2 | 1-1/8 | 10 | — | — | — | — | — |
| 04003 | 254 | 10 | 1-1/8 | 10 | — | — | — | — | — |
| 04003 | 254 | 10 | 1-1/8 | 10 | — | — | — | — | — |
| 04002 | 265 | 10-1/2 | 1-1/8 | 10 | — | — | — | — | — |
| 04021 | 265 | 10-1/2 | 1-1/8 | 10 | — | — | — | — | — |
| 04049 | 280 | 11 | 1-1/8 | 10 | — | — | — | — | — |
| 04021 | 265 | 10-1/2 | 1-1/8 | 10 | — | — | — | — | — |
| 04049 | 280 | 11 | 1-1/8 | 10 | — | — | — | — | — |
| 04079 | 263 | 10-3/8 | 1-1/8 | 26 | — | — | — | — | — |
| 04079 | 263 | 10-3/8 | 1-1/8 | 10 | — | — | — | — | — |
| 04049 | 280 | 11 | 1-1/8 | 10 | — | — | — | — | — |
| 04049 | 280 | 11 | 1-1/8 | 10 | — | — | — | — | — |
| 04049 | 280 | 11 | 1-1/8 | 10 | — | — | — | — | — |
| 04049 | 280 | 11 | 1-1/8 | 10 | — | — | — | — | — |
| 04020 | 280 | 11 | 1-1/8 | 26 | — | — | — | — | — |
| 04004 | 203 | 8 | 1 | 14 | — | — | — | — | — |
| 04094 | 215 | 8-1/2 | 1 | 14 | — | — | — | — | — |
| 04094 | 215 | 8-1/2 | 1 | 14 | — | — | — | — | — |
| 04046 | 215 | 8-1/2 | 1 | 14 | MC318 | SC714 | — | — | — |
| 04094 | 215 | 8-1/2 | 1 | 14 | — | — | — | — | — |
| 04046 | 215 | 8-1/2 | 1 | 14 | MC318 | SC714 | — | — | — |
| KGM03 | 215 | 8-1/2 | 1 | 14 | — | — | — | — | — |
| KGM01 | 215 | 8-1/2 | 1 | 14 | MC318 | SC714 | — | — | — |
| KGM03 | 215 | 8-1/2 | 1 | 14 | — | SC714 | — | — | — |
| 04094 | 215 | 8-1/2 | 1 | 14 | — | SC714 | — | — | — |
| 04046 | 215 | 8-1/2 | 1 | 14 | MC318 | SC714 | — | — | — |
| 04004 | 203 | 8 | 1 | 14 | — | — | — | — | — |
| 04005 | 215 | 8-1/2 | 1 | 14 | — | — | — | — | — |
| 04005 | 215 | 8-1/2 | 1 | 14 | — | SC714 | — | — | — |
| 04077 | 225 | 8-7/8 | 15/16 | 14 | MC318 | SC714 | — | — | — |
| 04077 | 225 | 8-7/8 | 15/16 | 14 | MC318 | SC714 | — | — | — |
| KGM03 | 215 | 8-1/2 | 1 | 14 | — | SC714 | — | — | — |
| KGM03 | 215 | 8-1/2 | 1 | 14 | — | SC714 | — | — | — |
| KGM01 | 215 | 8-1/2 | 1 | 14 | MC318 | SC714 | — | — | — |
| 04062 | 232 | 9-1/8 | 1-1/8 | 10 | — | — | — | — | — |
| 04005 | 215 | 8-1/2 | 1 | 14 | MC326 | SC714 | — | — | — |
| 04005 | 215 | 8-1/2 | 1 | 14 | MC317 | SC714 | — | — | — |
| 04005 | 215 | 8-1/2 | 1 | 14 | MC317 | SC714 | — | — | — |
| 04004 | 203 | 8 | 1 | 14 | — | — | — | — | — |
| 04005 | 215 | 8-1/2 | 1 | 14 | — | — | — | — | — |
| 04077 | 225 | 8-7/8 | 15/16 | 14 | MC318 | SC714 | — | — | — |
| 04088 | 225 | 8-7/8 | 15/16 | 14 | MC316 | SC714 | — | — | — |
| GMK1022 | 240 | 9-7/16 | 1 | 14 | — | — | — | — | — |
| GMK1027 | 256 | 10-1/16 | 1 | 23 | — | — | — | — | — |
| GMK1023 | 290 | 11-7/16 | 1-1/8 | 26 | — | — | — | — | — |
| GMK1023 | 290 | 11-7/16 | 1-1/8 | 26 | — | — | — | — | — |

1

| Liter | CC/IN | Cyl | Years | | Application Information |
|-------|-------|-----|-------|------|-------------------------|
| | | | To | From | |

CHECKER

MARATHON

| | | | | | |
|-----|-----|----|------|------|----------|
| 3.8 | 232 | L6 | 1968 | 1968 | 11" Disc |
| 4.1 | 250 | L6 | 1969 | 1974 | 11" Disc |
| 5.4 | 330 | V8 | 1968 | 1969 | 11" Disc |
| 5.7 | 348 | V8 | 1969 | 1974 | — |

CHEVROLET (Performance Applications Available)

AVEO

| | | | | | |
|-----|----|----|------|------|------------------|
| 1.6 | 98 | L4 | 2004 | 2006 | Sold as kit only |
| 1.6 | 98 | L4 | 2007 | 2007 | Sold as kit only |
| 1.6 | 98 | L4 | 2008 | 2011 | Sold as kit only |

BEL AIR, BISCAYNE, CAPRICE, IMPALA

| | | | | | |
|-----|-----|----|------|------|-----------------------|
| 3.8 | 232 | L6 | 1963 | 1965 | 10" Disc |
| 3.8 | 232 | L6 | 1963 | 1965 | 11" Disc |
| 3.9 | 238 | L6 | 1950 | 1953 | — |
| 3.9 | 238 | L6 | 1954 | 1954 | — |
| 3.9 | 238 | L6 | 1955 | 1959 | 10-3/8" Diaph Clutch |
| 3.9 | 238 | L6 | 1955 | 1959 | 10-3/8" Lever Clutch |
| 3.9 | 238 | L6 | 1955 | 1959 | 11" Disc |
| 3.9 | 238 | L6 | 1961 | 1962 | 10-3/8" Diaph Clutch |
| 3.9 | 238 | L6 | 1961 | 1962 | 10-3/8" Lever Clutch |
| 3.9 | 238 | L6 | 1961 | 1962 | 11" Disc |
| 4.1 | 250 | L6 | 1965 | 1971 | 10" Disc |
| 4.1 | 250 | L6 | 1965 | 1971 | 11" Disc |
| 4.1 | 250 | L6 | 1972 | 1973 | 10-3/8" Disc |
| 4.1 | 250 | L6 | 1972 | 1973 | 10-3/8" Lever Clutch |
| 4.1 | 250 | L6 | 1972 | 1973 | 11" Disc |
| 4.3 | 262 | V8 | 1955 | 1955 | — |
| 4.3 | 262 | V8 | 1956 | 1957 | 10-3/8" Disc |
| 4.3 | 262 | V8 | 1956 | 1957 | 11" Disc |
| 4.4 | 269 | V8 | 1981 | 1981 | 10" Disc |
| 4.4 | 269 | V8 | 1981 | 1981 | 10-3/8" Disc |
| 4.4 | 269 | V8 | 1981 | 1981 | 11" Disc |
| 4.6 | 281 | V8 | 1957 | 1966 | 10-3/8" Disc |
| 4.6 | 281 | V8 | 1957 | 1967 | 10" Disc |
| 4.6 | 281 | V8 | 1957 | 1967 | 11" Disc |
| 4.6 | 281 | V8 | 1967 | 1967 | 10-3/8" Disc |
| 5.4 | 330 | V8 | 1962 | 1966 | 10-3/8" Disc |
| 5.4 | 330 | V8 | 1962 | 1969 | 11" Disc |
| 5.4 | 330 | V8 | 1967 | 1969 | 10-3/8" Disc |
| 5.7 | 348 | V8 | 1958 | 1961 | 12" Diaph Clutch |
| 5.7 | 348 | V8 | 1958 | 1961 | 12" Lever Type Clutch |
| 5.7 | 348 | V8 | 1969 | 1970 | 12" Diaph Clutch |
| 5.7 | 348 | V8 | 1969 | 1970 | 12" Lever Type Clutch |
| 5.7 | 348 | V8 | 1969 | 1971 | 10-3/8" Disc |
| 5.7 | 348 | V8 | 1969 | 1971 | 11", 10 Spline Disc |
| 5.7 | 348 | V8 | 1971 | 1971 | 11", 26 Spline Disc |
| 5.7 | 348 | V8 | 1972 | 1972 | — |
| 6.5 | 397 | V8 | 1966 | 1969 | — |
| 6.7 | 409 | V8 | 1962 | 1965 | — |
| 7.0 | 427 | V8 | 1966 | 1969 | — |

BERETTA, CORSICA

| | | | | | |
|-----|-----|----|------|------|---------------------------|
| 2.0 | 122 | L4 | 1987 | 1987 | — |
| 2.0 | 122 | L4 | 1988 | 1988 | Master Cyl with 4.85" Rod |
| 2.0 | 122 | L4 | 1988 | 1988 | Master Cyl with 5.00" Rod |
| 2.0 | 122 | L4 | 1989 | 1989 | — |
| 2.2 | 134 | L4 | 1990 | 1992 | — |
| 2.2 | 134 | L4 | 1992 | 1993 | — |

| Kit | Disc (mm) | Disc (in) | Spline Dia | Splines | Master Cyl | Slave Cyl | Clutch Cable | Clutch Fork | New Flywheel |
|---------|-----------|-----------|------------|---------|------------|-----------|--------------|-------------|--------------|
| 04072 | 280 | 11 | 1-1/8 | 10 | — | — | — | — | — |
| 04072 | 280 | 11 | 1-1/8 | 10 | — | — | — | — | — |
| 04072 | 280 | 11 | 1-1/8 | 10 | — | — | — | — | — |
| 04064 | 300 | 11-3/4 | 1-1/8 | 10 | — | — | — | — | — |
| GMK1014 | 215 | 8-7/16 | 13/16 | 24 | MC508 | SC910 | — | — | — |
| GMK1014 | 215 | 8-7/16 | 13/16 | 24 | — | SC910 | — | — | — |
| GMK1014 | 215 | 8-7/16 | 13/16 | 24 | — | — | — | — | — |
| 04003 | 254 | 10 | 1-1/8 | 10 | — | — | — | — | — |
| 04072 | 280 | 11 | 1-1/8 | 10 | — | — | — | — | — |
| 04003 | 254 | 10 | 1-1/8 | 10 | — | — | — | — | — |
| 04003 | 254 | 10 | 1-1/8 | 10 | — | — | — | — | — |
| 04021 | 265 | 10-1/2 | 1-1/8 | 10 | — | — | — | — | — |
| 04002 | 265 | 10-1/2 | 1-1/8 | 10 | — | — | — | — | — |
| 04072 | 280 | 11 | 1-1/8 | 10 | — | — | — | — | — |
| 04021 | 265 | 10-1/2 | 1-1/8 | 10 | — | — | — | — | — |
| 04002 | 265 | 10-1/2 | 1-1/8 | 10 | — | — | — | — | — |
| 04072 | 280 | 11 | 1-1/8 | 10 | — | — | — | — | — |
| 04003 | 254 | 10 | 1-1/8 | 10 | — | — | — | — | — |
| 04072 | 280 | 11 | 1-1/8 | 10 | — | — | — | — | — |
| 04002 | 265 | 10-1/2 | 1-1/8 | 10 | — | — | — | — | FWGM101 |
| 04002 | 265 | 10-1/2 | 1-1/8 | 10 | — | — | — | — | FWGM101 |
| 04049 | 280 | 11 | 1-1/8 | 10 | — | — | — | — | — |
| 04003 | 254 | 10 | 1-1/8 | 10 | — | — | — | — | — |
| 04021 | 265 | 10-1/2 | 1-1/8 | 10 | — | — | — | — | — |
| 04072 | 280 | 11 | 1-1/8 | 10 | — | — | — | — | — |
| 04003 | 254 | 10 | 1-1/8 | 10 | — | — | — | — | — |
| 04021 | 265 | 10-1/2 | 1-1/8 | 10 | — | — | — | — | — |
| 04072 | 280 | 11 | 1-1/8 | 10 | — | — | — | — | — |
| 04021 | 265 | 10-1/2 | 1-1/8 | 10 | — | — | — | — | — |
| 04003 | 254 | 10 | 1-1/8 | 10 | — | — | — | — | — |
| 04072 | 280 | 11 | 1-1/8 | 10 | — | — | — | — | — |
| 04021 | 265 | 10-1/2 | 1-1/8 | 10 | — | — | — | — | FWGM101 |
| 04021 | 265 | 10-1/2 | 1-1/8 | 10 | — | — | — | — | — |
| 04049 | 280 | 11 | 1-1/8 | 10 | — | — | — | — | — |
| 04021 | 265 | 10-1/2 | 1-1/8 | 10 | — | — | — | — | FWGM101 |
| 04064 | 300 | 11-3/4 | 1-1/8 | 10 | — | — | — | — | — |
| 04502 | 300 | 11-3/4 | 1-1/8 | 10 | — | — | — | — | — |
| 04064 | 300 | 11-3/4 | 1-1/8 | 10 | — | — | — | — | — |
| 04502 | 300 | 11-3/4 | 1-1/8 | 10 | — | — | — | — | — |
| 04021 | 265 | 10-1/2 | 1-1/8 | 10 | — | — | — | — | FWGM101 |
| 04049 | 280 | 11 | 1-1/8 | 10 | — | — | — | — | — |
| 04020 | 280 | 11 | 1-1/8 | 26 | — | — | — | — | — |
| 04049 | 280 | 11 | 1-1/8 | 10 | — | — | — | — | — |
| 04049 | 280 | 11 | 1-1/8 | 10 | — | — | — | — | — |
| 04021 | 265 | 10-1/2 | 1-1/8 | 10 | — | — | — | — | — |
| 04049 | 280 | 11 | 1-1/8 | 10 | — | — | — | — | — |
| 04005 | 215 | 8-1/2 | 1 | 14 | MC323 | SC714 | — | — | FWGM10 |
| 04005 | 215 | 8-1/2 | 1 | 14 | MC398 | SC714 | — | — | FWGM10 |
| 04005 | 215 | 8-1/2 | 1 | 14 | MC323 | SC714 | — | — | FWGM10 |
| 04005 | 215 | 8-1/2 | 1 | 14 | MC321 | SC714 | — | — | FWGM10 |
| 04005 | 215 | 8-1/2 | 1 | 14 | MC321 | SC714 | — | — | FWGM10 |
| 04005 | 215 | 8-1/2 | 1 | 14 | MC321 | SC715 | — | — | FWGM10 |

1

| Liter | CC/IN | Cyl | Years | | Application Information |
|-------|-------|-----|-------|------|-------------------------|
| | | | To | From | |

CHEVROLET (Performance Applications Available) CONT.

BERETTA, CORSICA CONT.

| | | | | | |
|-----|-----|----|------|------|---------------------------------|
| 2.2 | 134 | L4 | 1994 | 1994 | — |
| 2.2 | 134 | L4 | 1995 | 1996 | Includes Slave Cylinder |
| 2.3 | 140 | L4 | 1990 | 1992 | Quad 4 |
| 2.3 | 140 | L4 | 1993 | 1994 | Quad 4, Includes Slave Cylinder |
| 2.8 | 171 | V6 | 1987 | 1987 | — |
| 2.8 | 171 | V6 | 1988 | 1988 | Master Cyl with 4.85" Rod |
| 2.8 | 171 | V6 | 1988 | 1988 | Master Cyl with 5.00" Rod |
| 2.8 | 171 | V6 | 1989 | 1989 | — |
| 2.8 | 171 | V6 | 1989 | 1989 | — |
| 3.1 | 189 | V6 | 1990 | 1992 | — |
| 3.1 | 189 | V6 | 1993 | 1993 | Includes Slave Cylinder |
| 3.1 | 189 | V6 | 1994 | 1994 | Includes Slave Cylinder |

CAMARO, Z28

| | | | | | |
|-----|-----|----|------|------|---|
| 2.5 | 153 | L4 | 1982 | 1983 | 4 Spd |
| 2.5 | 153 | L4 | 1983 | 1986 | 5 Spd, Non Pre-Damped |
| 2.5 | 153 | L4 | 1983 | 1986 | 5 Spd, Pre-Damped |
| 2.5 | 153 | L4 | 1984 | 1984 | 4 Spd |
| 2.8 | 171 | V6 | 1982 | 1983 | 10 Spine Disc |
| 2.8 | 171 | V6 | 1983 | 1983 | 14 Spline Disc |
| 2.8 | 171 | V6 | 1984 | 1984 | 10 Spine Disc |
| 2.8 | 171 | V6 | 1984 | 1984 | 14 Spline Disc |
| 2.8 | 171 | V6 | 1985 | 1986 | Non Pre-Damped |
| 2.8 | 171 | V6 | 1985 | 1986 | Pre-Damped |
| 2.8 | 171 | V6 | 1987 | 1988 | Non Pre-Damped |
| 2.8 | 171 | V6 | 1987 | 1988 | Pre-Damped |
| 2.8 | 171 | V6 | 1989 | 1989 | Non Pre-Damped |
| 2.8 | 171 | V6 | 1989 | 1989 | Pre-Damped |
| 3.1 | 189 | V6 | 1990 | 1990 | Non Pre-Damped |
| 3.1 | 189 | V6 | 1990 | 1992 | Pre-Damped |
| 3.1 | 189 | V6 | 1991 | 1992 | Non Pre-Damped |
| 3.4 | 207 | V6 | 1993 | 1995 | With Master Cyl Pushrod CV601A |
| 3.4 | 207 | V6 | 1993 | 1995 | With Master Cyl Pushrod H603A |
| 3.8 | 232 | L6 | 1967 | 1969 | — |
| 3.8 | 232 | V6 | 1980 | 1981 | — |
| 3.8 | 232 | V6 | 1980 | 1981 | — |
| 3.8 | 232 | V6 | 1996 | 2002 | — |
| 4.1 | 250 | L6 | 1967 | 1975 | — |
| 4.1 | 250 | L6 | 1976 | 1978 | — |
| 4.1 | 250 | L6 | 1979 | 1979 | — |
| 5.0 | 305 | V8 | 1967 | 1968 | — |
| 5.0 | 305 | V8 | 1969 | 1973 | 3 Spd |
| 5.0 | 305 | V8 | 1976 | 1977 | 3 Spd, 2 BBL |
| 5.0 | 305 | V8 | 1978 | 1978 | — |
| 5.0 | 305 | V8 | 1979 | 1981 | 10 Spine Disc |
| 5.0 | 305 | V8 | 1982 | 1983 | — |
| 5.0 | 305 | V8 | 1984 | 1985 | — |
| 5.0 | 305 | V8 | 1986 | 1992 | Light Weight Nodular Flywheel with 1-PC Crank Seal, Engine Code #F |
| 5.0 | 305 | V8 | 1986 | 1992 | Light Weight Nodular Flywheel with 1-Piece Crank Seal, Engine Code #E |
| 5.0 | 305 | V8 | 1986 | 1992 | Light Weight Nodular Flywheel with 2-PC Crank Seal |
| 5.4 | 330 | V8 | 1967 | 1969 | — |
| 5.7 | 348 | V8 | 1967 | 1970 | 11", 10 Spline Disc |
| 5.7 | 348 | V8 | 1969 | 1974 | 10 Spline, Saginaw Trans |
| 5.7 | 348 | V8 | 1971 | 1974 | 26 Spline, Muncie Trans |
| 5.7 | 348 | V8 | 1975 | 1975 | 10 Spline |
| 5.7 | 348 | V8 | 1975 | 1975 | 26 Spline |

| Kit | Disc (mm) | Disc (in) | Spline Dia | Splines | Master Cyl | Slave Cyl | Clutch Cable | Clutch Fork | New Flywheel |
|-------|-----------|-----------|------------|---------|------------|-----------|--------------|-------------|--------------|
| 04005 | 215 | 8-1/2 | 1 | 14 | MC332 | SC715 | — | — | FWGM10 |
| 04161 | 215 | 8-1/2 | 1 | 14 | MC333 | — | — | — | FWGM10 |
| 04088 | 225 | 8-7/8 | 15/16 | 14 | MC321 | SC715 | — | — | — |
| 04136 | 225 | 8-7/8 | 15/16 | 14 | MC330 | SC715 | — | — | — |
| 04088 | 225 | 8-7/8 | 15/16 | 14 | MC323 | SC714 | — | CF134 | FWGM111 |
| 04088 | 225 | 8-7/8 | 15/16 | 14 | MC398 | SC714 | — | CF134 | FWGM111 |
| 04088 | 225 | 8-7/8 | 15/16 | 14 | MC398 | SC714 | — | CF134 | FWGM111 |
| 04088 | 225 | 8-7/8 | 15/16 | 14 | MC321 | SC715 | — | CF134 | — |
| 04088 | 225 | 8-7/8 | 15/16 | 14 | MC321 | SC715 | — | CF134 | FWGM111 |
| 04088 | 225 | 8-7/8 | 15/16 | 14 | MC321 | SC715 | — | — | — |
| 04132 | 225 | 8-7/8 | 15/16 | 14 | MC330 | — | — | — | — |
| 04132 | 225 | 8-7/8 | 15/16 | 14 | MC330 | — | — | — | — |
| 04052 | 232 | 9-1/8 | 1-1/8 | 10 | — | — | — | — | — |
| 04053 | 225 | 8-7/8 | 15/16 | 14 | MC315 | SC787 | — | — | — |
| 04129 | 232 | 9-1/8 | 1 | 14 | MC315 | SC787 | — | — | — |
| 04052 | 232 | 9-1/8 | 1-1/8 | 10 | MC315 | SC787 | — | — | — |
| 04055 | 232 | 9-1/8 | 1-1/8 | 10 | — | — | — | — | FWGM111 |
| 04069 | 215 | 8-1/2 | 1 | 14 | — | — | — | — | — |
| 04055 | 232 | 9-1/8 | 1-1/8 | 10 | MC320 | SC787 | — | — | FWGM111 |
| 04069 | 215 | 8-1/2 | 1 | 14 | MC320 | SC787 | — | — | — |
| 04053 | 225 | 8-7/8 | 15/16 | 14 | MC320 | SC787 | — | — | FWGM111 |
| 04129 | 232 | 9-1/8 | 1 | 14 | MC320 | SC787 | — | — | FWGM111 |
| 04053 | 225 | 8-7/8 | 15/16 | 14 | MC320 | SC787 | — | CF129 | FWGM111 |
| 04129 | 232 | 9-1/8 | 1 | 14 | MC320 | SC787 | — | CF129 | FWGM111 |
| 04053 | 225 | 8-7/8 | 15/16 | 14 | MC320 | SC787 | — | CF129 | — |
| 04129 | 232 | 9-1/8 | 1 | 14 | MC320 | SC787 | — | CF129 | — |
| 04053 | 225 | 8-7/8 | 15/16 | 14 | MC331 | SC719 | — | CF129 | — |
| 04129 | 232 | 9-1/8 | 1 | 14 | MC331 | SC719 | — | CF129 | — |
| 04053 | 225 | 8-7/8 | 15/16 | 14 | MC320 | SC719 | — | CF129 | — |
| 04133 | 246 | 9-5/8 | 1-1/8 | 26 | MC331 | SC719 | — | — | — |
| 04133 | 246 | 9-5/8 | 1-1/8 | 26 | MC334 | SC719 | — | — | — |
| 04002 | 265 | 10-1/2 | 1-1/8 | 10 | — | — | — | — | — |
| 04021 | 265 | 10-1/2 | 1-1/8 | 10 | — | — | — | — | — |
| 04021 | 265 | 10-1/2 | 1-1/8 | 10 | — | — | — | CF100 | — |
| 04082 | 246 | 9-5/8 | 1-1/8 | 26 | MC334 | SC746 | — | — | — |
| 04003 | 254 | 10 | 1-1/8 | 10 | — | — | — | — | — |
| 04003 | 254 | 10 | 1-1/8 | 10 | — | — | — | CF100 | — |
| 04021 | 265 | 10-1/2 | 1-1/8 | 10 | — | — | — | CF100 | FWGM101 |
| 04021 | 265 | 10-1/2 | 1-1/8 | 10 | — | — | — | — | — |
| 04002 | 265 | 10-1/2 | 1-1/8 | 10 | — | — | — | — | FWGM101 |
| 04002 | 265 | 10-1/2 | 1-1/8 | 10 | — | — | — | CF100 | FWGM101 |
| 04002 | 265 | 10-1/2 | 1-1/8 | 10 | — | — | — | CF100 | FWGM101 |
| 04021 | 265 | 10-1/2 | 1-1/8 | 10 | — | — | — | CF100 | FWGM101 |
| 04019 | 263 | 10-3/8 | 1-1/8 | 26 | — | — | — | — | FWGM101 |
| 04019 | 263 | 10-3/8 | 1-1/8 | 26 | MC315 | SC787 | — | CF133 | FWGM101 |
| 04019 | 263 | 10-3/8 | 1-1/8 | 26 | MC315 | SC787 | — | CF133 | FWGM13 |
| 04019 | 263 | 10-3/8 | 1-1/8 | 26 | MC315 | SC787 | — | CF133 | FWGM12 |
| 04019 | 263 | 10-3/8 | 1-1/8 | 26 | MC315 | SC787 | — | CF133 | FWGM14 |
| 04021 | 265 | 10-1/2 | 1-1/8 | 10 | — | — | — | — | FWGM101 |
| 04049 | 280 | 11 | 1-1/8 | 10 | — | — | — | — | — |
| 04021 | 265 | 10-1/2 | 1-1/8 | 10 | — | — | — | — | FWGM101 |
| 04020 | 280 | 11 | 1-1/8 | 26 | — | — | — | — | — |
| 04021 | 265 | 10-1/2 | 1-1/8 | 10 | — | — | — | — | FWGM101 |
| 04020 | 280 | 11 | 1-1/8 | 26 | — | — | — | — | — |

1

| Liter | CC/IN | Cyl | Years | | Application Information |
|-------|-------|-----|-------|------|-------------------------|
| | | | To | From | |

CHEVROLET (Performance Applications Available) CONT.

CAMARO, Z28 CONT.

| | | | | | |
|-----|-----|----|------|------|---|
| 5.7 | 348 | V8 | 1976 | 1979 | 10 Spline |
| 5.7 | 348 | V8 | 1976 | 1979 | 26 Spline |
| 5.7 | 348 | V8 | 1980 | 1981 | 26 Spline |
| 5.7 | 348 | V8 | 1987 | 1992 | Light Weight Nodular Flywheel with 1-PC Crank Seal, Engine Code #F |
| 5.7 | 348 | V8 | 1987 | 1992 | Light Weight Nodular Flywheel with 1-Piece Crank Seal, Engine Code #E |
| 5.7 | 348 | V8 | 1987 | 1992 | Light Weight Nodular Flywheel with 2-PC Crank Seal |
| 5.7 | 348 | V8 | 1998 | 2002 | LS1, Modular Clutch Includes Flywheel |
| 6.2 | 378 | V8 | 2010 | — | Sold as Kit Only, Includes CSC Hydraulic Slave Cylinder |
| 6.5 | 397 | V8 | 1967 | 1970 | — |
| 6.6 | 403 | V8 | 1970 | 1972 | 4Spd, 4 BBL |

CAVALIER, Z24

| | | | | | |
|-----|-----|----|------|------|---|
| 1.8 | 110 | L4 | 1982 | 1982 | — |
| 2.0 | 122 | L4 | 1983 | 1984 | 4 Spd |
| 2.0 | 122 | L4 | 1983 | 1984 | 5 Spd |
| 2.0 | 122 | L4 | 1985 | 1986 | 4 Spd |
| 2.0 | 122 | L4 | 1985 | 1986 | 5 Spd |
| 2.0 | 122 | L4 | 1987 | 1987 | 4 Spd |
| 2.0 | 122 | L4 | 1988 | 1989 | 4 Spd |
| 2.2 | 134 | L4 | 1990 | 1991 | — |
| 2.2 | 134 | L4 | 1992 | 1994 | — |
| 2.2 | 134 | L4 | 1995 | 1996 | Includes Slave Cylinder |
| 2.2 | 134 | L4 | 1997 | 1999 | Includes Slave Cylinder |
| 2.2 | 134 | L4 | 2000 | 2002 | SOHC, Includes Slave Cylinder, Sold As Kit Only |
| 2.2 | 134 | L4 | 2002 | 2005 | DOHC, Includes Slave Cylinder, Sold As Kit Only |
| 2.3 | 140 | L4 | 1995 | 1995 | Includes Slave Cylinder |
| 2.4 | 146 | L4 | 1996 | 1999 | Includes Slave Cylinder |
| 2.4 | 146 | L4 | 2000 | 2002 | Includes Slave Cylinder, Sold As Kit Only |
| 2.8 | 171 | V6 | 1985 | 1986 | — |
| 2.8 | 171 | V6 | 1987 | 1988 | — |
| 2.8 | 171 | V6 | 1989 | 1989 | — |
| 3.1 | 189 | V6 | 1990 | 1992 | — |
| 3.1 | 189 | V6 | 1993 | 1994 | Includes Slave Cylinder |

CELEBRITY

| | | | | | |
|-----|-----|----|------|------|---|
| 2.5 | 153 | L4 | 1984 | 1986 | — |
| 2.8 | 171 | V6 | 1984 | 1985 | — |
| 2.8 | 171 | V6 | 1986 | 1986 | — |
| 2.8 | 171 | V6 | 1987 | 1988 | — |

CHEVELLE, MALIBU, EL CAMINO, MONTE CARLO

| | | | | | |
|-----|-----|----|------|------|-------|
| 3.2 | 195 | L6 | 1964 | 1966 | — |
| 3.3 | 201 | V6 | 1978 | 1978 | — |
| 3.3 | 201 | V6 | 1979 | 1979 | — |
| 3.8 | 232 | L6 | 1966 | 1969 | — |
| 3.8 | 232 | V6 | 1978 | 1981 | — |
| 3.8 | 232 | V6 | 1980 | 1981 | — |
| 3.8 | 232 | V6 | 1981 | 1981 | Turbo |
| 4.1 | 250 | L6 | 1967 | 1975 | — |
| 4.1 | 250 | L6 | 1976 | 1977 | — |
| 4.4 | 269 | V8 | 1979 | 1981 | — |
| 4.6 | 281 | V8 | 1964 | 1966 | 3 Spd |
| 4.6 | 281 | V8 | 1964 | 1966 | 4 Spd |
| 4.6 | 281 | V8 | 1964 | 1967 | 3 Spd |
| 4.6 | 281 | V8 | 1964 | 1967 | 4 Spd |
| 5.0 | 305 | V8 | 1968 | 1973 | 3 Spd |
| 5.0 | 305 | V8 | 1968 | 1973 | 4 Spd |
| 5.0 | 305 | V8 | 1976 | 1978 | — |

| Kit | Disc (mm) | Disc (in) | Spline Dia | Splines | Master Cyl | Slave Cyl | Clutch Cable | Clutch Fork | New Flywheel |
|---------|-----------|-----------|------------|---------|------------|-----------|--------------|-------------|--------------|
| 04021 | 265 | 10-1/2 | 1-1/8 | 10 | — | — | — | CF100 | FWGM101 |
| 04020 | 280 | 11 | 1-1/8 | 26 | — | — | — | CF100 | — |
| 04020 | 280 | 11 | 1-1/8 | 26 | — | — | — | — | — |
| 04019 | 263 | 10-3/8 | 1-1/8 | 26 | — | — | — | — | FWGM13 |
| 04019 | 263 | 10-3/8 | 1-1/8 | 26 | — | — | — | — | FWGM12 |
| 04019 | 263 | 10-3/8 | 1-1/8 | 26 | — | — | — | — | FWGM14 |
| 04173 | 300 | 11-3/4 | 1-1/8 | 26 | MC334 | SC746 | — | — | — |
| GMK1036 | 290 | 11-7/16 | 1-1/8 | 26 | — | — | — | — | — |
| 04049 | 280 | 11 | 1-1/8 | 10 | — | — | — | — | — |
| 04020 | 280 | 11 | 1-1/8 | 26 | — | — | — | — | — |
| 04004 | 203 | 8 | 1 | 14 | — | — | — | CF106 | — |
| 04004 | 203 | 8 | 1 | 14 | — | — | — | CF106 | — |
| 04005 | 215 | 8-1/2 | 1 | 14 | — | — | — | CF106 | FWGM10 |
| 04077 | 225 | 8-7/8 | 15/16 | 14 | MC318 | SC714 | — | CF106 | — |
| 04005 | 215 | 8-1/2 | 1 | 14 | MC318 | SC714 | — | CF106 | FWGM10 |
| 04077 | 225 | 8-7/8 | 15/16 | 14 | MC316 | SC714 | — | CF106 | — |
| 04077 | 225 | 8-7/8 | 15/16 | 14 | — | SC714 | — | CF106 | — |
| 04005 | 215 | 8-1/2 | 1 | 14 | MC327 | SC714 | — | — | — |
| 04005 | 215 | 8-1/2 | 1 | 14 | MC327 | SC715 | — | — | — |
| 04161 | 215 | 8-1/2 | 1 | 14 | MC333 | — | — | — | FWGM10 |
| 04161 | 215 | 8-1/2 | 1 | 14 | MC333 | — | — | — | — |
| KGM08 | 215 | 8-1/2 | 1 | 14 | — | — | — | — | — |
| GMK1000 | 225 | 8-7/8 | 1 | 14 | — | — | — | — | — |
| 04158 | 225 | 8-7/8 | 15/16 | 14 | MC333 | — | — | — | — |
| 04158 | 225 | 8-7/8 | 15/16 | 14 | MC333 | — | — | — | — |
| KGM04 | 225 | 8-7/8 | 1 | 14 | — | — | — | — | — |
| 04077 | 225 | 8-7/8 | 15/16 | 14 | MC318 | SC714 | — | — | FWGM111 |
| 04088 | 225 | 8-7/8 | 15/16 | 14 | MC316 | SC714 | — | — | FWGM111 |
| 04088 | 225 | 8-7/8 | 15/16 | 14 | MC316 | SC714 | — | — | — |
| 04088 | 225 | 8-7/8 | 15/16 | 14 | MC327 | SC715 | — | — | — |
| 04132 | 225 | 8-7/8 | 15/16 | 14 | MC330 | — | — | — | — |
| 04077 | 225 | 8-7/8 | 15/16 | 14 | — | — | — | — | — |
| 04077 | 225 | 8-7/8 | 15/16 | 14 | — | — | — | — | FWGM111 |
| 04077 | 225 | 8-7/8 | 15/16 | 14 | MC589 | SC714 | — | — | FWGM111 |
| 04088 | 225 | 8-7/8 | 15/16 | 14 | MC319 | SC714 | — | CF134 | FWGM111 |
| 04003 | 254 | 10 | 1-1/8 | 10 | — | — | — | — | — |
| 04002 | 265 | 10-1/2 | 1-1/8 | 10 | — | — | — | — | — |
| 04021 | 265 | 10-1/2 | 1-1/8 | 10 | — | — | — | — | — |
| 04003 | 254 | 10 | 1-1/8 | 10 | — | — | — | — | — |
| 04002 | 265 | 10-1/2 | 1-1/8 | 10 | — | — | — | — | — |
| 04021 | 265 | 10-1/2 | 1-1/8 | 10 | — | — | — | — | — |
| 04002 | 265 | 10-1/2 | 1-1/8 | 10 | — | — | — | — | — |
| 04002 | 265 | 10-1/2 | 1-1/8 | 10 | — | — | — | — | FWGM101 |
| 04002 | 265 | 10-1/2 | 1-1/8 | 10 | — | — | — | CF100 | FWGM101 |
| 04021 | 265 | 10-1/2 | 1-1/8 | 10 | — | — | — | — | — |
| 04002 | 265 | 10-1/2 | 1-1/8 | 10 | — | — | — | — | — |
| 04021 | 265 | 10-1/2 | 1-1/8 | 10 | — | — | — | — | — |
| 04002 | 265 | 10-1/2 | 1-1/8 | 10 | — | — | — | — | FWGM101 |
| 04021 | 265 | 10-1/2 | 1-1/8 | 10 | — | — | — | — | FWGM101 |
| 04002 | 265 | 10-1/2 | 1-1/8 | 10 | — | — | — | — | FWGM101 |
| 04021 | 265 | 10-1/2 | 1-1/8 | 10 | — | — | — | — | FWGM101 |
| 04002 | 265 | 10-1/2 | 1-1/8 | 10 | — | — | — | — | FWGM101 |
| 04021 | 265 | 10-1/2 | 1-1/8 | 10 | — | — | — | — | FWGM101 |
| 04002 | 265 | 10-1/2 | 1-1/8 | 10 | — | — | — | CF100 | FWGM101 |

1

| Liter | CC/IN | Cyl | Years | | Application Information |
|---|-------|-----|-------|------|-------------------------|
| | | | To | From | |
| CHEVROLET (Performance Applications Available) CONT. | | | | | |
| <i>CHEVELLE, MALIBU, EL CAMINO, MONTE CARLO CONT.</i> | | | | | |
| 5.0 | 305 | V8 | 1976 | 1978 | Monte Carlo |
| 5.0 | 305 | V8 | 1979 | 1981 | — |
| 5.0 | 305 | V8 | 1979 | 1981 | Monte Carlo |
| 5.4 | 330 | V8 | 1964 | 1968 | Flat Diaph |
| 5.4 | 330 | V8 | 1964 | 1968 | Raised Diaph |
| 5.7 | 348 | V8 | 1969 | 1970 | 11"Disc |
| 5.7 | 348 | V8 | 1969 | 1975 | Raised Diaph |
| 5.7 | 348 | V8 | 1971 | 1972 | 11", 26 Spline Disc |
| 5.7 | 348 | V8 | 1973 | 1977 | 3 Spd, Flat Diaph |
| 5.7 | 348 | V8 | 1973 | 1977 | Raised Diaph |
| 5.7 | 348 | V8 | 1978 | 1978 | — |
| 6.5 | 397 | V8 | 1966 | 1970 | — |
| 6.6 | 403 | V8 | 1970 | 1970 | — |
| 6.6 | 403 | V8 | 1970 | 1970 | Monte Carlo |
| 6.6 | 403 | V8 | 1971 | 1971 | Monte Carlo |
| 6.6 | 403 | V8 | 1972 | 1972 | — |
| 7.4 | 452 | V8 | 1970 | 1975 | — |
| <i>CHEVETTE</i> | | | | | |
| 1.4 | 85 | L4 | 1976 | 1977 | — |
| 1.6 | 98 | L4 | 1976 | 1981 | — |
| 1.6 | 98 | L4 | 1982 | 1987 | — |
| 1.8 | 110 | L4 | 1981 | 1986 | Diesel |
| <i>CHEVY II, NOVA</i> | | | | | |
| 1.6 | 98 | L4 | 1985 | 1988 | FWD |
| 2.5 | 153 | L4 | 1963 | 1967 | — |
| 3.2 | 195 | L6 | 1962 | 1966 | — |
| 3.8 | 232 | L6 | 1968 | 1970 | — |
| 4.1 | 250 | L6 | 1967 | 1968 | — |
| 4.1 | 250 | L6 | 1970 | 1975 | — |
| 4.1 | 250 | L6 | 1976 | 1978 | — |
| 4.1 | 250 | L6 | 1979 | 1979 | — |
| 4.3 | 262 | V8 | 1975 | 1975 | — |
| 4.6 | 281 | V8 | 1964 | 1966 | Flat Diaph Clutch |
| 4.6 | 281 | V8 | 1964 | 1966 | Raised Diaph Clutch |
| 4.6 | 281 | V8 | 1967 | 1967 | Flat Diaph Clutch |
| 4.6 | 281 | V8 | 1967 | 1967 | Raised Diaph Clutch |
| 5.0 | 305 | V8 | 1968 | 1973 | 3 Speed |
| 5.0 | 305 | V8 | 1976 | 1977 | 3 Speed |
| 5.0 | 305 | V8 | 1978 | 1979 | — |
| 5.4 | 330 | V8 | 1965 | 1966 | Flat Diaph Clutch |
| 5.4 | 330 | V8 | 1965 | 1966 | Raised Diaph Clutch |
| 5.4 | 330 | V8 | 1967 | 1968 | Flat Diaph Clutch |
| 5.4 | 330 | V8 | 1967 | 1968 | Raised Diaph Clutch |
| 5.7 | 348 | V8 | 1970 | 1975 | 3 Spd |
| 5.7 | 348 | V8 | 1976 | 1977 | 3 Spd |
| 6.5 | 397 | V8 | 1968 | 1968 | — |
| 6.5 | 397 | V8 | 1970 | 1970 | — |
| <i>CITATION</i> | | | | | |
| 2.5 | 153 | L4 | 1980 | 1982 | — |
| 2.5 | 153 | L4 | 1982 | 1985 | — |
| 2.8 | 171 | V6 | 1980 | 1981 | — |
| 2.8 | 171 | V6 | 1982 | 1984 | — |
| 2.8 | 171 | V6 | 1985 | 1985 | — |

| Kit | Disc (mm) | Disc (in) | Spline Dia | Splines | Master Cyl | Slave Cyl | Clutch Cable | Clutch Fork | New Flywheel |
|-------|-----------|-----------|------------|---------|------------|-----------|--------------|-------------|--------------|
| 04002 | 265 | 10-1/2 | 1-1/8 | 10 | — | — | — | CF100 | FWGM101 |
| 04021 | 265 | 10-1/2 | 1-1/8 | 10 | — | — | — | CF100 | FWGM14 |
| 04021 | 265 | 10-1/2 | 1-1/8 | 10 | — | — | — | CF100 | FWGM101 |
| 04002 | 265 | 10-1/2 | 1-1/8 | 10 | — | — | — | — | FWGM101 |
| 04021 | 265 | 10-1/2 | 1-1/8 | 10 | — | — | — | — | FWGM101 |
| 04049 | 280 | 11 | 1-1/8 | 10 | — | — | — | — | — |
| 04021 | 265 | 10-1/2 | 1-1/8 | 10 | — | — | — | — | FWGM101 |
| 04020 | 280 | 11 | 1-1/8 | 26 | — | — | — | — | — |
| 04002 | 265 | 10-1/2 | 1-1/8 | 10 | — | — | — | CF100 | FWGM101 |
| 04021 | 265 | 10-1/2 | 1-1/8 | 10 | — | — | — | CF100 | FWGM101 |
| 04021 | 265 | 10-1/2 | 1-1/8 | 10 | — | — | — | CF100 | FWGM101 |
| 04049 | 280 | 11 | 1-1/8 | 10 | — | — | — | — | — |
| 04049 | 280 | 11 | 1-1/8 | 10 | — | — | — | — | — |
| 04049 | 280 | 11 | 1-1/8 | 10 | — | — | — | — | — |
| 04020 | 280 | 11 | 1-1/8 | 26 | — | — | — | — | — |
| 04049 | 280 | 11 | 1-1/8 | 10 | — | — | — | — | — |
| 04020 | 280 | 11 | 1-1/8 | 26 | — | — | — | — | — |
| <hr/> | | | | | | | | | |
| 04057 | 184 | 7-1/4 | 1 | 14 | — | — | — | — | — |
| 04057 | 184 | 7-1/4 | 1 | 14 | — | — | — | — | — |
| 04059 | 203 | 8 | 1 | 14 | — | — | — | — | — |
| 04058 | 200 | 7-7/8 | 1 | 24 | — | — | — | — | — |
| <hr/> | | | | | | | | | |
| 16070 | 200 | 7-7/8 | 15/16 | 21 | MC256 | SC669 | — | — | — |
| 04002 | 265 | 10-1/2 | 1-1/8 | 10 | — | — | — | — | — |
| 04002 | 265 | 10-1/2 | 1-1/8 | 10 | — | — | — | — | — |
| 04002 | 265 | 10-1/2 | 1-1/8 | 10 | — | — | — | — | — |
| 04002 | 265 | 10-1/2 | 1-1/8 | 10 | — | — | — | — | FWGM101 |
| 04002 | 265 | 10-1/2 | 1-1/8 | 10 | — | — | — | — | FWGM101 |
| 04002 | 265 | 10-1/2 | 1-1/8 | 10 | — | — | — | CF100 | FWGM101 |
| 04021 | 265 | 10-1/2 | 1-1/8 | 10 | — | — | — | CF100 | FWGM101 |
| 04002 | 265 | 10-1/2 | 1-1/8 | 10 | — | — | — | — | — |
| 04002 | 265 | 10-1/2 | 1-1/8 | 10 | — | — | — | — | — |
| 04021 | 265 | 10-1/2 | 1-1/8 | 10 | — | — | — | — | — |
| 04002 | 265 | 10-1/2 | 1-1/8 | 10 | — | — | — | — | FWGM101 |
| 04021 | 265 | 10-1/2 | 1-1/8 | 10 | — | — | — | — | FWGM101 |
| 04002 | 265 | 10-1/2 | 1-1/8 | 10 | — | — | — | — | FWGM101 |
| 04002 | 265 | 10-1/2 | 1-1/8 | 10 | — | — | — | CF100 | FWGM101 |
| 04021 | 265 | 10-1/2 | 1-1/8 | 10 | — | — | — | CF100 | FWGM101 |
| 04002 | 265 | 10-1/2 | 1-1/8 | 10 | — | — | — | — | — |
| 04002 | 265 | 10-1/2 | 1-1/8 | 10 | — | — | — | — | FWGM101 |
| 04021 | 265 | 10-1/2 | 1-1/8 | 10 | — | — | — | — | FWGM101 |
| 04021 | 265 | 10-1/2 | 1-1/8 | 10 | — | — | — | — | FWGM101 |
| 04021 | 265 | 10-1/2 | 1-1/8 | 10 | — | — | — | CF100 | FWGM101 |
| 04049 | 280 | 11 | 1-1/8 | 10 | — | — | — | — | — |
| 04049 | 280 | 11 | 1-1/8 | 10 | — | — | — | — | — |
| <hr/> | | | | | | | | | |
| 04077 | 225 | 8-7/8 | 15/16 | 14 | — | — | — | — | — |
| 04077 | 225 | 8-7/8 | 15/16 | 14 | — | — | — | CF106 | — |
| 04077 | 225 | 8-7/8 | 15/16 | 14 | — | — | — | — | FWGM111 |
| 04077 | 225 | 8-7/8 | 15/16 | 14 | — | — | — | CF106 | FWGM111 |
| 04077 | 225 | 8-7/8 | 15/16 | 14 | — | — | — | — | FWGM111 |

1

| Liter | CC/IN | Cyl | Years | | Application Information |
|---|-------|-----|-------|------|---|
| | | | To | From | |
| CHEVROLET (Performance Applications Available) CONT. | | | | | |
| COBALT | | | | | |
| 2.0 | 122 | L4 | 2005 | 2007 | Supercharged, Luk Original, Includes CSC Hydraulic Slave, Sold as Kit Only |
| 2.0 | 122 | L4 | 2005 | 2010 | Turbocharged, Supercharged, Includes CSC Hydraulic Slave, Includes FW, Economy pack, Sold as Kit Only |
| 2.2 | 134 | L4 | 2005 | 2010 | Includes Slave Cylinder, Sold As Kit Only |
| 2.4 | 146 | L4 | 2006 | 2009 | Includes Slave Cylinder, Sold As Kit Only |
| CORVETTE | | | | | |
| 4.6 | 281 | V8 | 1957 | 1958 | Fuel Injected |
| 4.6 | 281 | V8 | 1957 | 1961 | Carbureted |
| 4.6 | 281 | V8 | 1960 | 1961 | Fuel Injected |
| 5.4 | 330 | V8 | 1962 | 1964 | — |
| 5.4 | 330 | V8 | 1965 | 1966 | — |
| 5.4 | 330 | V8 | 1967 | 1968 | — |
| 5.7 | 348 | V8 | 1969 | 1970 | 10-3/8" Disc |
| 5.7 | 348 | V8 | 1969 | 1970 | 11" Disc |
| 5.7 | 348 | V8 | 1971 | 1971 | 3 Spd |
| 5.7 | 348 | V8 | 1971 | 1971 | 4 Spd |
| 5.7 | 348 | V8 | 1972 | 1972 | 4 Spd, 4 BBL |
| 5.7 | 348 | V8 | 1973 | 1977 | — |
| 5.7 | 348 | V8 | 1978 | 1978 | 10-3/8" Disc |
| 5.7 | 348 | V8 | 1978 | 1978 | 11" Disc |
| 5.7 | 348 | V8 | 1979 | 1981 | — |
| 5.7 | 348 | V8 | 1984 | 1984 | — |
| 5.7 | 348 | V8 | 1985 | 1987 | With .38" Bushing |
| 5.7 | 348 | V8 | 1985 | 1988 | With .43" Bushing |
| 5.7 | 348 | V8 | 1988 | 1988 | — |
| 5.7 | 348 | V8 | 1997 | 2004 | LS1, Modular Clutch Includes Flywheel |
| 6.0 | 366 | V8 | 2005 | 2006 | Sold as Kit Only |
| 6.2 | 378 | V8 | 2010 | 2011 | Sold as Kit Only, Includes CSC Hydraulic Slave Cylinder |
| 7.0 | 427 | V8 | 1966 | 1966 | 10-3/8" Disc |
| 7.0 | 427 | V8 | 1966 | 1969 | 10-3/8" Disc, Nodular Flywheel with 2 PC Crank Seal |
| 7.0 | 427 | V8 | 1966 | 1969 | 11" Disc |
| 7.0 | 427 | V8 | 1967 | 1969 | 10-3/8" Disc, Standard Flywheel |
| 7.0 | 427 | V8 | 2006 | 2011 | Sold as Kit Only |
| 7.4 | 452 | V8 | 1970 | 1974 | — |
| HHR | | | | | |
| 2.2 | 134 | L4 | 2006 | 2011 | Includes Slave Cylinder, Sold As Kit Only |
| 2.4 | 146 | L4 | 2006 | 2011 | Includes Slave Cylinder, Sold As Kit Only |
| LUMINA | | | | | |
| 3.4 | 207 | V6 | 1991 | 1993 | Pull Type Clutch, Sold As Kit Only |
| METRO | | | | | |
| 1.0 | 61 | L3 | 1998 | 2000 | — |
| 1.3 | 79 | L4 | 1998 | 2001 | — |
| MONZA, VEGA | | | | | |
| 2.0 | 122 | L4 | 1976 | 1976 | — |
| 2.3 | 140 | L4 | 1973 | 1977 | — |
| 2.5 | 153 | L4 | 1978 | 1980 | — |
| 3.2 | 195 | V6 | 1978 | 1978 | — |
| 3.8 | 232 | V6 | 1978 | 1978 | — |
| 4.3 | 262 | V8 | 1975 | 1976 | — |
| 5.0 | 305 | V8 | 1977 | 1979 | — |
| PRIZM | | | | | |
| 1.8 | 110 | L4 | 1998 | 2002 | — |
| SPECTRUM | | | | | |
| 1.5 | 92 | L4 | 1985 | 1988 | Non-Turbo |
| 1.5 | 92 | L4 | 1987 | 1988 | Turbo |

| Kit | Disc (mm) | Disc (in) | Spline Dia | Splines | Master Cyl | Slave Cyl | Clutch Cable | Clutch Fork | New Flywheel |
|-----------|-----------|-----------|------------|---------|------------|-----------|--------------|-------------|--------------|
| GMK1016 | 238 | 9-3/8 | 1 | 14 | — | — | — | — | — |
| GMK1033FW | 240 | 9-1/2 | 1 | 14 | — | — | — | — | — |
| GMK1010 | 225 | 8-7/8 | 15/16 | 14 | — | — | — | — | — |
| GMK1010 | 225 | 8-7/8 | 15/16 | 14 | — | — | — | — | — |
| 04003 | 254 | 10 | 1-1/8 | 10 | — | — | — | — | — |
| 04084 | 254 | 10 | 1-1/8 | 10 | — | — | — | — | — |
| 04003 | 254 | 10 | 1-1/8 | 10 | — | — | — | — | — |
| 04084 | 254 | 10 | 1-1/8 | 10 | — | — | — | — | — |
| 04021 | 265 | 10-1/2 | 1-1/8 | 10 | — | — | — | — | — |
| 04021 | 265 | 10-1/2 | 1-1/8 | 10 | — | — | — | — | FWGM101 |
| 04021 | 265 | 10-1/2 | 1-1/8 | 10 | — | — | — | — | FWGM101 |
| 04049 | 280 | 11 | 1-1/8 | 10 | — | — | — | — | — |
| 04021 | 265 | 10-1/2 | 1-1/8 | 10 | — | — | — | — | FWGM101 |
| 04019 | 263 | 10-3/8 | 1-1/8 | 26 | — | — | — | — | FWGM101 |
| 04019 | 263 | 10-3/8 | 1-1/8 | 26 | — | — | — | — | FWGM101 |
| 04020 | 280 | 11 | 1-1/8 | 26 | — | — | — | — | — |
| 04021 | 265 | 10-1/2 | 1-1/8 | 10 | — | — | — | — | FWGM101 |
| 04020 | 280 | 11 | 1-1/8 | 26 | — | — | — | — | — |
| 04020 | 280 | 11 | 1-1/8 | 26 | — | — | — | — | — |
| 04019 | 263 | 10-3/8 | 1-1/8 | 26 | MC306 | SC704 | — | — | FWGM101 |
| 04080 | 273 | 10-3/4 | 1-1/8 | 26 | MC307 | SC704 | — | — | — |
| 04080 | 273 | 10-3/4 | 1-1/8 | 26 | MC306 | SC704 | — | — | — |
| 04080 | 273 | 10-3/4 | 1-1/8 | 26 | MC306 | SC704 | — | — | — |
| 04173 | 300 | 11-3/4 | 1-1/8 | 26 | MC423 | SC780 | — | — | — |
| GMK1018 | 290 | 11-7/16 | 1-1/8 | 26 | — | BRG0167 | — | — | — |
| GMK1035 | 290 | 11-7/16 | 1-1/8 | 26 | — | — | — | — | — |
| 04021 | 265 | 10-1/2 | 1-1/8 | 10 | — | — | — | — | FWGM14 |
| 04021 | 265 | 10-1/2 | 1-1/8 | 10 | — | — | — | — | FWGM14 |
| 04049 | 280 | 11 | 1-1/8 | 10 | — | — | — | — | — |
| 04021 | 265 | 10-1/2 | 1-1/8 | 10 | — | — | — | — | FWGM101 |
| GMK1018 | 290 | 11-7/16 | 1-1/8 | 26 | — | BRG0167 | — | — | — |
| 04020 | 280 | 11 | 1-1/8 | 26 | — | — | — | — | — |
| GMK1010 | 225 | 8-7/8 | 15/16 | 14 | — | — | — | — | — |
| GMK1010 | 225 | 8-7/8 | 15/16 | 14 | — | — | — | — | — |
| 04127 | 246 | 9-5/8 | 1 | 23 | MC328 | SC716 | — | — | — |
| 04124 | 170 | 6-11/16 | 3/4 | 18 | — | — | — | — | — |
| 04100 | 190 | 7-1/2 | 3/4 | 18 | — | — | — | — | — |
| 04062 | 232 | 9-1/8 | 1-1/8 | 10 | — | — | — | — | — |
| 04062 | 232 | 9-1/8 | 1-1/8 | 10 | — | — | — | — | — |
| 04062 | 232 | 9-1/8 | 1-1/8 | 10 | — | — | — | — | — |
| 04062 | 232 | 9-1/8 | 1-1/8 | 10 | — | — | — | — | — |
| 04062 | 232 | 9-1/8 | 1-1/8 | 10 | — | — | — | — | — |
| 04062 | 232 | 9-1/8 | 1-1/8 | 10 | — | — | — | — | — |
| 04021 | 265 | 10-1/2 | 1-1/8 | 10 | — | — | — | — | FWGM101 |
| KTY03 | 210 | 8-1/4 | 1 | 21 | MC265 | SC842 | — | — | — |
| 04063 | 184 | 7-1/4 | 1 | 14 | — | — | — | — | — |
| 04099 | 215 | 8-1/2 | 1 | 14 | — | — | — | — | — |

1

| Liter | CC/IN | Cyl | Years | | Application Information |
|-------|-------|-----|-------|------|-------------------------|
| | | | To | From | |

CHEVROLET (Performance Applications Available) CONT.

SPRINT

| | | | | | |
|-----|----|----|------|------|------------------|
| 1.0 | 61 | L3 | 1985 | 1988 | Non-Turbo |
| 1.0 | 61 | L3 | 1987 | 1988 | Turbo |
| 1.0 | 61 | L3 | 1989 | 1991 | Non-Turbo CANADA |
| 1.0 | 61 | L3 | 1989 | 1991 | Turbo CANADA |

CHEVROLET TRUCK, SUV & VAN

ASTRO

| | | | | | |
|-----|-----|----|------|------|---|
| 2.5 | 153 | L4 | 1985 | 1989 | — |
| 4.3 | 262 | V6 | 1985 | 1987 | — |
| 4.3 | 262 | V6 | 1988 | 1989 | — |

CHEVROLET LIGHT TRUCK, SUV & VAN

BLAZER (FULL SIZE), C10-30, K10-30, R10-30, V10-30, SILVERADO, TAHOE

| | | | | | |
|-----|-----|----|------|------|--------------------------------------|
| 3.8 | 232 | L6 | 1963 | 1967 | 10" Disc |
| 3.8 | 232 | L6 | 1963 | 1967 | 11" Disc |
| 3.8 | 232 | L6 | 1969 | 1969 | 12" Diaph Clutch |
| 3.8 | 232 | L6 | 1969 | 1969 | 12" Diaph Clutch with Ceramic Button |
| 3.9 | 238 | L6 | 1961 | 1962 | 10" Disc |
| 3.9 | 238 | L6 | 1961 | 1962 | 12" Diaph Clutch |
| 3.9 | 238 | L6 | 1961 | 1962 | 12" Diaph Clutch with Ceramic Button |
| 4.1 | 250 | L6 | 1966 | 1976 | 10" Disc |
| 4.1 | 250 | L6 | 1966 | 1976 | 11" Disc |
| 4.1 | 250 | L6 | 1977 | 1984 | 11" Disc |
| 4.1 | 250 | L6 | 1977 | 1984 | 12" Diaph Clutch |
| 4.1 | 250 | L6 | 1977 | 1984 | 12" Diaph Clutch with Ceramic Button |
| 4.1 | 250 | L6 | 1977 | 1984 | 12" Lever Clutch with Ceramic Button |
| 4.1 | 250 | L6 | 1977 | 1984 | 12" Lever Type Clutch |
| 4.3 | 262 | L6 | 1961 | 1962 | 11" Disc |
| 4.3 | 262 | L6 | 1961 | 1962 | 12" Diaph Clutch |
| 4.3 | 262 | L6 | 1961 | 1962 | 12" Diaph Clutch with Ceramic Button |
| 4.3 | 262 | L6 | 1961 | 1962 | 12" Lever Clutch with Ceramic Button |
| 4.3 | 262 | L6 | 1961 | 1962 | 12" Lever Type Clutch |
| 4.3 | 262 | V6 | 1985 | 1987 | — |
| 4.3 | 262 | V6 | 1988 | 1991 | To 1/31/91 |
| 4.3 | 262 | V6 | 1991 | 1991 | From 1/31/91 |
| 4.3 | 262 | V6 | 1992 | 1994 | — |
| 4.3 | 262 | V6 | 1995 | 1995 | — |
| 4.3 | 262 | V6 | 1996 | 1998 | — |
| 4.3 | 262 | V6 | 1999 | 2000 | Silverado |
| 4.3 | 262 | V6 | 2001 | 2004 | Slave Cylinder fits 5spd only |
| 4.6 | 281 | V8 | 1961 | 1967 | 11" Disc |
| 4.6 | 281 | V8 | 1961 | 1967 | 12" Diaph Clutch |
| 4.6 | 281 | V8 | 1961 | 1967 | 12" Diaph Clutch with Ceramic Button |
| 4.6 | 281 | V8 | 1961 | 1967 | 12" Lever Clutch with Ceramic Button |
| 4.6 | 281 | V8 | 1961 | 1967 | 12" Lever Type Clutch |
| 4.8 | 293 | L6 | 1963 | 1968 | 11" Disc |
| 4.8 | 293 | L6 | 1969 | 1974 | 11" Disc |
| 4.8 | 293 | L6 | 1969 | 1984 | 12" Lever Type Clutch |
| 4.8 | 293 | L6 | 1974 | 1974 | 11" Disc, LPG Gas |
| 4.8 | 293 | L6 | 1974 | 1974 | LPG Gas, 11" Disc |
| 4.8 | 293 | L6 | 1974 | 1974 | LPG Gas, 12" Lever Type Clutch |
| 4.8 | 293 | L6 | 1975 | 1984 | 11" Disc |
| 4.8 | 293 | L6 | 1985 | 1985 | 11" Disc |
| 4.8 | 293 | L6 | 1985 | 1985 | 12" Lever Type Clutch |
| 4.8 | 293 | L6 | 1985 | 1986 | — |
| 4.8 | 293 | L6 | 1987 | 1988 | R & V Series |
| 4.8 | 293 | V8 | 1999 | 2000 | Silverado |

| Kit | Disc (mm) | Disc (in) | Spline Dia | Splines | Master Cyl | Slave Cyl | Clutch Cable | Clutch Fork | New Flywheel |
|-------|-----------|-----------|------------|---------|------------|-----------|--------------|-------------|--------------|
| 04076 | 160 | 6-5/16 | 3/4 | 18 | — | — | — | — | — |
| 04139 | 190 | 7-1/2 | 3/4 | 18 | — | — | — | — | — |
| 04139 | 190 | 7-1/2 | 3/4 | 18 | — | — | — | — | — |
| 04139 | 190 | 7-1/2 | 3/4 | 18 | — | — | — | — | — |
| 04053 | 225 | 8-7/8 | 15/16 | 14 | MC305 | SC703 | — | — | FWGM115 |
| 04086 | 280 | 11 | 1 | 14 | MC305 | SC703 | — | — | — |
| 04086 | 280 | 11 | 1 | 14 | MC305 | SC703 | — | — | FWGM108 |
| 04003 | 254 | 10 | 1-1/8 | 10 | — | — | — | — | — |
| 04072 | 280 | 11 | 1-1/8 | 10 | — | — | — | — | — |
| 04064 | 300 | 11-3/4 | 1-1/8 | 10 | — | — | — | — | — |
| 04105 | 300 | 11-3/4 | 1-1/8 | 10 | — | — | — | — | — |
| 04003 | 254 | 10 | 1-1/8 | 10 | — | — | — | — | — |
| 04064 | 300 | 11-3/4 | 1-1/8 | 10 | — | — | — | — | — |
| 04105 | 300 | 11-3/4 | 1-1/8 | 10 | — | — | — | — | — |
| 04003 | 254 | 10 | 1-1/8 | 10 | — | — | — | — | — |
| 04072 | 280 | 11 | 1-1/8 | 10 | — | — | — | — | — |
| 04049 | 280 | 11 | 1-1/8 | 10 | — | — | — | — | — |
| 04064 | 300 | 11-3/4 | 1-1/8 | 10 | — | — | — | — | — |
| 04105 | 300 | 11-3/4 | 1-1/8 | 10 | — | — | — | — | — |
| 04517 | 300 | 11-3/4 | 1-1/8 | 10 | — | — | — | — | — |
| 04502 | 300 | 11-3/4 | 1-1/8 | 10 | — | — | — | — | — |
| 04072 | 280 | 11 | 1-1/8 | 10 | — | — | — | — | — |
| 04064 | 300 | 11-3/4 | 1-1/8 | 10 | — | — | — | — | — |
| 04105 | 300 | 11-3/4 | 1-1/8 | 10 | — | — | — | — | — |
| 04517 | 300 | 11-3/4 | 1-1/8 | 10 | — | — | — | — | — |
| 04502 | 300 | 11-3/4 | 1-1/8 | 10 | — | — | — | — | — |
| 04089 | 280 | 11 | 1-1/8 | 10 | MC309 | SC827 | — | — | FWGM108 |
| 04089 | 280 | 11 | 1-1/8 | 10 | MC310 | SC708 | — | — | FWGM108 |
| 04121 | 280 | 11 | 1-1/8 | 10 | MC310 | SC708 | — | — | FWGM108 |
| 04121 | 280 | 11 | 1-1/8 | 10 | MC372 | SC741 | — | — | FWGM108 |
| 04121 | 280 | 11 | 1-1/8 | 10 | MC380 | SC741 | — | — | FWGM108 |
| KGM10 | 280 | 11 | 1-1/8 | 10 | MC377 | SC746 | — | — | FWGM108 |
| KGM17 | 280 | 11 | 1-1/8 | 10 | MC381 | SC746 | — | — | — |
| KGM21 | 280 | 11 | 1-1/8 | 10 | MC381 | SC799 | — | — | — |
| 04072 | 280 | 11 | 1-1/8 | 10 | — | — | — | — | — |
| 04064 | 300 | 11-3/4 | 1-1/8 | 10 | — | — | — | — | — |
| 04105 | 300 | 11-3/4 | 1-1/8 | 10 | — | — | — | — | — |
| 04517 | 300 | 11-3/4 | 1-1/8 | 10 | — | — | — | — | — |
| 04502 | 300 | 11-3/4 | 1-1/8 | 10 | — | — | — | — | — |
| 04072 | 280 | 11 | 1-1/8 | 10 | — | — | — | — | — |
| 04049 | 280 | 11 | 1-1/8 | 10 | — | — | — | — | — |
| 04502 | 300 | 11-3/4 | 1-1/8 | 10 | — | — | — | — | — |
| 04049 | 280 | 11 | 1-1/8 | 10 | — | — | — | — | — |
| 04049 | 280 | 11 | 1-1/8 | 10 | — | — | — | — | — |
| 04049 | 280 | 11 | 1-1/8 | 10 | — | — | — | — | — |
| 04502 | 300 | 11-3/4 | 1-1/8 | 10 | — | — | — | — | — |
| 04049 | 280 | 11 | 1-1/8 | 10 | — | — | — | — | FWGM104 |
| 04049 | 280 | 11 | 1-1/8 | 10 | MC309 | SC827 | — | — | FWGM104 |
| 04502 | 300 | 11-3/4 | 1-1/8 | 10 | MC309 | SC827 | — | — | — |
| 04081 | 280 | 11 | 1-1/8 | 10 | MC309 | SC827 | — | CF116 | FWGM104 |
| 04081 | 280 | 11 | 1-1/8 | 10 | MC309 | SC827 | — | CF116 | FWGM104 |
| 04181 | 302 | 11-7/8 | 1-1/8 | 10 | MC381 | SC746 | — | — | — |

1

| Liter | CC/IN | Cyl | Years | | Application Information |
|-------|-------|-----|-------|------|-------------------------|
| | | | To | From | |

CHEVROLET LIGHT TRUCK, SUV & VAN CONT.

BLAZER (FULL SIZE), C10-30, K10-30, R10-30, V10-30, SILVERADO, TAHOE CONT.

1

| | | | | | |
|-----|-----|----|------|------|---|
| 4.8 | 293 | V8 | 2001 | 2003 | Silverado |
| 4.8 | 293 | V8 | 2004 | 2004 | Silverado |
| 4.8 | 293 | V8 | 2005 | 2006 | Sold as Kit Only |
| 5.0 | 305 | V8 | 1968 | 1973 | 11" Disc |
| 5.0 | 305 | V8 | 1976 | 1984 | 11" Disc |
| 5.0 | 305 | V8 | 1976 | 1984 | 12" Diaph Clutch |
| 5.0 | 305 | V8 | 1976 | 1984 | 12" Diaph Clutch with Ceramic Button |
| 5.0 | 305 | V8 | 1976 | 1984 | 12" Lever Clutch with Ceramic Button |
| 5.0 | 305 | V8 | 1976 | 1984 | 12" Lever Type Clutch |
| 5.0 | 305 | V8 | 1985 | 1987 | — |
| 5.0 | 305 | V8 | 1985 | 1991 | — |
| 5.0 | 305 | V8 | 1992 | 1994 | — |
| 5.0 | 305 | V8 | 1995 | 1996 | — |
| 5.0 | 305 | V8 | 1996 | 1998 | — |
| 5.4 | 330 | V8 | 1962 | 1962 | 12" Diaph Clutch |
| 5.4 | 330 | V8 | 1962 | 1962 | 12" Diaph Clutch with Ceramic Button |
| 5.4 | 330 | V8 | 1962 | 1962 | 12" Lever Clutch with Ceramic Button |
| 5.4 | 330 | V8 | 1962 | 1962 | 12" Lever Type Clutch |
| 5.4 | 330 | V8 | 1964 | 1968 | 12" Diaph Clutch |
| 5.4 | 330 | V8 | 1964 | 1968 | 12" Diaph Clutch with Ceramic Button |
| 5.4 | 330 | V8 | 1964 | 1968 | 12" Lever Clutch with Ceramic Button |
| 5.4 | 330 | V8 | 1964 | 1968 | 12" Lever Type Clutch |
| 5.7 | 348 | V8 | 1969 | 1984 | 11" Disc |
| 5.7 | 348 | V8 | 1969 | 1984 | 12" Diaph Clutch |
| 5.7 | 348 | V8 | 1969 | 1984 | 12" Diaph Clutch with Ceramic Button |
| 5.7 | 348 | V8 | 1969 | 1984 | 12" Lever Clutch with Ceramic Button |
| 5.7 | 348 | V8 | 1969 | 1984 | 12" Lever Type Clutch |
| 5.7 | 348 | V8 | 1974 | 1974 | 11" Disc, LPG Gas |
| 5.7 | 348 | V8 | 1974 | 1974 | LPG Gas, 11" Disc |
| 5.7 | 348 | V8 | 1974 | 1974 | LPG Gas, 12" Diaph Clutch with Ceramic Button |
| 5.7 | 348 | V8 | 1974 | 1974 | LPG Gas, 12" Diaph Clutch, Non-Pre Damped |
| 5.7 | 348 | V8 | 1974 | 1974 | LPG Gas, 12" Lever Clutch with Ceramic Button |
| 5.7 | 348 | V8 | 1974 | 1974 | LPG Gas, 12" Lever Type Clutch |
| 5.7 | 348 | V8 | 1978 | 1981 | 11" Disc, Diesel |
| 5.7 | 348 | V8 | 1978 | 1981 | Diesel, 12" Diaph Clutch |
| 5.7 | 348 | V8 | 1978 | 1981 | Diesel, 12" Diaph Clutch with Ceramic Button |
| 5.7 | 348 | V8 | 1978 | 1981 | Diesel, 12" Lever Clutch with Ceramic Button |
| 5.7 | 348 | V8 | 1978 | 1981 | Diesel, 12" Lever Type Clutch |
| 5.7 | 348 | V8 | 1985 | 1985 | 12" Diaph Clutch |
| 5.7 | 348 | V8 | 1985 | 1985 | 12" Diaph Clutch with Ceramic Button |
| 5.7 | 348 | V8 | 1985 | 1985 | 12" Lever Clutch with Ceramic Button |
| 5.7 | 348 | V8 | 1985 | 1985 | 12" Lever Type Clutch |
| 5.7 | 348 | V8 | 1985 | 1990 | 11" Disc |
| 5.7 | 348 | V8 | 1986 | 1987 | 12" Diaph Clutch |
| 5.7 | 348 | V8 | 1986 | 1987 | 12" Diaph Clutch with Ceramic Button |
| 5.7 | 348 | V8 | 1986 | 1990 | 12" Lever Clutch with Ceramic Button |
| 5.7 | 348 | V8 | 1986 | 1990 | 12" Lever Type Clutch |
| 5.7 | 348 | V8 | 1988 | 1990 | 11" Disc |
| 5.7 | 348 | V8 | 1988 | 1990 | 12" Diaph Clutch |
| 5.7 | 348 | V8 | 1988 | 1990 | 12" Diaph Clutch with Ceramic Button |
| 5.7 | 348 | V8 | 1988 | 1990 | 12" Lever Clutch with Ceramic Button |
| 5.7 | 348 | V8 | 1988 | 1990 | 12" Lever Type Clutch |
| 5.7 | 348 | V8 | 1988 | 1991 | R & V Series 12" Diaph Clutch with Ceramic Button |
| 5.7 | 348 | V8 | 1988 | 1991 | R & V Series 12" Lever Type Clutch |
| 5.7 | 348 | V8 | 1988 | 1991 | R & V Series, 12" Diaph Clutch |



| Kit | Disc (mm) | Disc (in) | Spline Dia | Splines | Master Cyl | Slave Cyl | Clutch Cable | Clutch Fork | New Flywheel |
|---------|-----------|-----------|------------|---------|------------|-----------|--------------|-------------|--------------|
| KGM44 | 302 | 11-7/8 | 1-1/8 | 10 | MC381 | SC799 | — | — | — |
| KGM44 | 302 | 11-7/8 | 1-1/8 | 10 | MC381 | SC937 | — | — | — |
| GMK1020 | 302 | 11-7/8 | 1-1/8 | 10 | MC456 | SC801 | — | — | — |
| 04049 | 280 | 11 | 1-1/8 | 10 | — | — | — | — | — |
| 04049 | 280 | 11 | 1-1/8 | 10 | — | — | — | — | — |
| 04064 | 300 | 11-3/4 | 1-1/8 | 10 | — | — | — | — | — |
| 04105 | 300 | 11-3/4 | 1-1/8 | 10 | — | — | — | — | — |
| 04517 | 300 | 11-3/4 | 1-1/8 | 10 | — | — | — | — | — |
| 04502 | 300 | 11-3/4 | 1-1/8 | 10 | — | — | — | — | — |
| 04081 | 280 | 11 | 1-1/8 | 10 | MC309 | SC827 | — | — | — |
| 04081 | 280 | 11 | 1-1/8 | 10 | MC310 | SC708 | — | — | — |
| 04121 | 280 | 11 | 1-1/8 | 10 | MC372 | SC741 | — | — | — |
| 04121 | 280 | 11 | 1-1/8 | 10 | MC387 | SC741 | — | — | — |
| 04160 | 302 | 11-7/8 | 1-1/8 | 10 | MC377 | SC746 | — | — | — |
| 04064 | 300 | 11-3/4 | 1-1/8 | 10 | — | — | — | — | — |
| 04105 | 300 | 11-3/4 | 1-1/8 | 10 | — | — | — | — | — |
| 04517 | 300 | 11-3/4 | 1-1/8 | 10 | — | — | — | — | — |
| 04502 | 300 | 11-3/4 | 1-1/8 | 10 | — | — | — | — | — |
| 04064 | 300 | 11-3/4 | 1-1/8 | 10 | — | — | — | — | — |
| 04105 | 300 | 11-3/4 | 1-1/8 | 10 | — | — | — | — | — |
| 04517 | 300 | 11-3/4 | 1-1/8 | 10 | — | — | — | — | — |
| 04502 | 300 | 11-3/4 | 1-1/8 | 10 | — | — | — | — | — |
| 04049 | 280 | 11 | 1-1/8 | 10 | — | — | — | — | — |
| 04064 | 300 | 11-3/4 | 1-1/8 | 10 | — | — | — | — | — |
| 04105 | 300 | 11-3/4 | 1-1/8 | 10 | — | — | — | — | — |
| 04517 | 300 | 11-3/4 | 1-1/8 | 10 | — | — | — | — | — |
| 04502 | 300 | 11-3/4 | 1-1/8 | 10 | — | — | — | — | — |
| 04049 | 280 | 11 | 1-1/8 | 10 | — | — | — | — | — |
| 04049 | 280 | 11 | 1-1/8 | 10 | — | — | — | — | — |
| 04105 | 300 | 11-3/4 | 1-1/8 | 10 | — | — | — | — | — |
| 04064 | 300 | 11-3/4 | 1-1/8 | 10 | — | — | — | — | — |
| 04517 | 300 | 11-3/4 | 1-1/8 | 10 | — | — | — | — | — |
| 04502 | 300 | 11-3/4 | 1-1/8 | 10 | — | — | — | — | — |
| 04049 | 280 | 11 | 1-1/8 | 10 | — | — | — | — | — |
| 04064 | 300 | 11-3/4 | 1-1/8 | 10 | — | — | — | — | — |
| 04105 | 300 | 11-3/4 | 1-1/8 | 10 | — | — | — | — | — |
| 04517 | 300 | 11-3/4 | 1-1/8 | 10 | — | — | — | — | — |
| 04502 | 300 | 11-3/4 | 1-1/8 | 10 | — | — | — | — | — |
| 04064 | 300 | 11-3/4 | 1-1/8 | 10 | MC309 | SC827 | — | — | — |
| 04105 | 300 | 11-3/4 | 1-1/8 | 10 | MC309 | SC827 | — | — | — |
| 04517 | 300 | 11-3/4 | 1-1/8 | 10 | MC309 | SC827 | — | — | — |
| 04502 | 300 | 11-3/4 | 1-1/8 | 10 | MC309 | SC827 | — | — | — |
| 04049 | 280 | 11 | 1-1/8 | 10 | MC309 | SC827 | — | — | — |
| 04064 | 300 | 11-3/4 | 1-1/8 | 10 | MC309 | SC827 | — | — | FWGM103 |
| 04105 | 300 | 11-3/4 | 1-1/8 | 10 | MC309 | SC827 | — | — | FWGM103 |
| 04517 | 300 | 11-3/4 | 1-1/8 | 10 | MC309 | SC827 | — | — | FWGM103 |
| 04502 | 300 | 11-3/4 | 1-1/8 | 10 | MC309 | SC827 | — | — | FWGM103 |
| 04049 | 280 | 11 | 1-1/8 | 10 | — | SC708 | — | — | — |
| 04064 | 300 | 11-3/4 | 1-1/8 | 10 | MC309 | SC708 | — | — | FWGM103 |
| 04105 | 300 | 11-3/4 | 1-1/8 | 10 | MC309 | SC708 | — | — | FWGM103 |
| 04517 | 300 | 11-3/4 | 1-1/8 | 10 | MC309 | SC708 | — | — | FWGM103 |
| 04502 | 300 | 11-3/4 | 1-1/8 | 10 | MC309 | SC708 | — | — | FWGM103 |
| 04105 | 300 | 11-3/4 | 1-1/8 | 10 | MC309 | SC827 | — | — | FWGM103 |
| 04502 | 300 | 11-3/4 | 1-1/8 | 10 | MC309 | SC827 | — | — | FWGM103 |
| 04064 | 300 | 11-3/4 | 1-1/8 | 10 | MC309 | SC827 | — | — | FWGM103 |

1

| Liter | CC/IN | Cyl | Years | | Application Information |
|---|-------|-----|-------|------|---|
| | | | To | From | |
| CHEVROLET LIGHT TRUCK, SUV & VAN CONT. | | | | | |
| <i>BLAZER (FULL SIZE), C10-30, K10-30, R10-30, V10-30, SILVERADO, TAHOE CONT.</i> | | | | | |
| 5.7 | 348 | V8 | 1991 | 1991 | 11" Disc, To 1/31/91 |
| 5.7 | 348 | V8 | 1991 | 1991 | 11" Disc, To 1/31/91 |
| 5.7 | 348 | V8 | 1991 | 1991 | 12" Diaph Clutch with Ceramic Button, To 1/31/91 |
| 5.7 | 348 | V8 | 1991 | 1991 | 12" Diaph Clutch, To 1/31/91 |
| 5.7 | 348 | V8 | 1991 | 1991 | 12" Lever Clutch with Ceramic Button, To 1/31/91 |
| 5.7 | 348 | V8 | 1991 | 1991 | 12" Lever Clutch with Ceramic Button, To 1/31/91 |
| 5.7 | 348 | V8 | 1991 | 1991 | 12" Lever Type Clutch To 1/31/91 |
| 5.7 | 348 | V8 | 1991 | 1991 | 12" Lever Type Clutch To 1/31/91 |
| 5.7 | 348 | V8 | 1991 | 1991 | Non Pre-Damped, From 2/1/91 |
| 5.7 | 348 | V8 | 1991 | 1991 | R & V Series Pre-Damped, From 2/1/91 |
| 5.7 | 348 | V8 | 1992 | 1994 | Non Pre-Damped |
| 5.7 | 348 | V8 | 1992 | 1994 | Pre-Damped |
| 5.7 | 348 | V8 | 1995 | 1995 | Non Pre-Damped |
| 5.7 | 348 | V8 | 1995 | 1995 | Pre-Damped |
| 5.7 | 348 | V8 | 1996 | 2000 | — |
| 6.0 | 366 | V8 | 1999 | 2000 | Silverado |
| 6.0 | 366 | V8 | 2001 | 2003 | Silverado |
| 6.0 | 366 | V8 | 2003 | 2006 | Silverado |
| 6.2 | 378 | V8 | 1982 | 1987 | Diesel |
| 6.2 | 378 | V8 | 1988 | 1989 | Diesel |
| 6.2 | 378 | V8 | 1990 | 1991 | Diesel |
| 6.2 | 378 | V8 | 1991 | 1991 | R & V Series Diesel |
| 6.2 | 378 | V8 | 1992 | 1993 | Diesel |
| 6.5 | 397 | V8 | 1968 | 1969 | 11" Disc |
| 6.5 | 397 | V8 | 1968 | 1969 | Gas |
| 6.5 | 397 | V8 | 1992 | 1994 | Turbo Diesel for DMF, Not included |
| 6.5 | 397 | V8 | 1992 | 1994 | Turbo Diesel with Solid Flywheel Option. Kit includes flywheel. |
| 6.5 | 397 | V8 | 1992 | 1994 | Turbo, Diesel with Solid Flywheel Option. Kit does not include flywheel. |
| 6.5 | 397 | V8 | 1995 | 1995 | Diesel with Solid Flywheel Option. Kit does not include flywheel. |
| 6.5 | 397 | V8 | 1995 | 1995 | Diesel with Solid Flywheel Option. Kit includes flywheel. |
| 6.5 | 397 | V8 | 1995 | 1995 | Turbo Diesel for DMF, Not included |
| 6.5 | 397 | V8 | 1996 | 2002 | Turbo Diesel 5 Spd with LUK type solid flywheel. Kit does not include flywheel. |
| 6.5 | 397 | V8 | 1996 | 2002 | Turbo Diesel 5 Spd with LUK type solid flywheel. Kit includes flywheel. |
| 6.5 | 397 | V8 | 1996 | 2002 | Turbo Diesel 5 Spd with Valeo type DMF. Kit does not include flywheel. |
| 6.5 | 397 | V8 | 1996 | 2002 | Turbo Diesel 5 Spd with Valeo type DMF. Kit includes flywheel. |
| 6.6 | 403 | V8 | 1970 | 1971 | 12" Diaph Type Clutch with Ceramic Button |
| 6.6 | 403 | V8 | 1970 | 1971 | 12" Lever Clutch, with Ceramic Button |
| 6.6 | 403 | V8 | 1970 | 1972 | 12" Diaph Clutch |
| 6.6 | 403 | V8 | 1970 | 1972 | 12" Diaph Clutch with Ceramic Button |
| 6.6 | 403 | V8 | 1970 | 1972 | 12" Lever Clutch with Ceramic Button |
| 6.6 | 403 | V8 | 1970 | 1972 | 12" Lever Type Clutch |
| 6.6 | 403 | V8 | 1978 | 1980 | Gas |
| 6.6 | 403 | V8 | 2001 | 2003 | Diesel 6 Spd, with DMF, Kit does not include flywheel, Does not include Release Bearing |
| 6.6 | 403 | V8 | 2001 | 2003 | Diesel 6 Spd, with DMF, Kit includes flywheel, Does not include Release Bearing |
| 6.6 | 403 | V8 | 2004 | 2005 | Diesel 6 Spd, with DMF, Kit does not include flywheel, Does not include Release Bearing |
| 6.6 | 403 | V8 | 2004 | 2005 | Diesel 6 Spd, with DMF, Kit includes flywheel, Does not include Release Bearing |
| 6.6 | 403 | V8 | 2006 | 2006 | Turbo, Diesel, Sold as Kit Only, Fits Dual Mass FW |
| 7.4 | 452 | V8 | 1973 | 1973 | 12" Diaph Clutch with Ceramic Button |
| 7.4 | 452 | V8 | 1973 | 1973 | 12" Lever Clutch with Ceramic Button |
| 7.4 | 452 | V8 | 1973 | 1973 | 12" Lever Type Clutch |
| 7.4 | 452 | V8 | 1973 | 1973 | Diaph Clutch |
| 7.4 | 452 | V8 | 1974 | 1984 | 12" Diaph Type Clutch with Ceramic Button |
| 7.4 | 452 | V8 | 1974 | 1984 | Diaph Clutch |
| 7.4 | 452 | V8 | 1974 | 1984 | 12" Lever Type Clutch |

| Kit | Disc (mm) | Disc (in) | Spline Dia | Splines | Master Cyl | Slave Cyl | Clutch Cable | Clutch Fork | New Flywheel |
|---------|-----------|-----------|------------|---------|------------|-----------|--------------|-------------|--------------|
| 04049 | 280 | 11 | 1-1/8 | 10 | — | SC708 | — | — | — |
| 04049 | 280 | 11 | 1-1/8 | 10 | MC309 | SC827 | — | — | — |
| 04105 | 300 | 11-3/4 | 1-1/8 | 10 | MC310 | SC708 | — | — | FWGM103 |
| 04064 | 300 | 11-3/4 | 1-1/8 | 10 | MC310 | SC708 | — | — | FWGM103 |
| 04517 | 300 | 11-3/4 | 1-1/8 | 10 | MC309 | SC827 | — | — | FWGM103 |
| 04517 | 300 | 11-3/4 | 1-1/8 | 10 | MC310 | SC708 | — | — | FWGM103 |
| 04502 | 300 | 11-3/4 | 1-1/8 | 10 | MC309 | SC827 | — | — | FWGM103 |
| 04502 | 300 | 11-3/4 | 1-1/8 | 10 | MC310 | SC708 | — | — | FWGM103 |
| 04122 | 302 | 11-7/8 | 1-1/8 | 10 | MC309 | SC827 | — | — | — |
| 04128 | 300 | 11-3/4 | 1-1/8 | 10 | MC309 | SC827 | — | — | — |
| 04122 | 302 | 11-7/8 | 1-1/8 | 10 | MC372 | SC741 | — | — | — |
| 04128 | 300 | 11-3/4 | 1-1/8 | 10 | MC372 | SC741 | — | — | — |
| 04122 | 302 | 11-7/8 | 1-1/8 | 10 | MC380 | SC741 | — | — | — |
| 04128 | 300 | 11-3/4 | 1-1/8 | 10 | MC380 | SC741 | — | — | — |
| 04170 | 305 | 12 | 1-1/8 | 10 | MC377 | SC746 | — | — | — |
| GMK1009 | 290 | 11-1/2 | 1-1/8 | 10 | MC381 | BRG0152 | — | — | — |
| GMK1009 | 290 | 11-1/2 | 1-1/8 | 10 | MC381 | BRG0152 | — | — | — |
| GMK1009 | 290 | 11-1/2 | 1-1/8 | 10 | MC381 | BRG0152 | — | — | — |
| 04087 | 302 | 11-7/8 | 1-1/8 | 10 | MC309 | SC827 | — | — | — |
| 04087 | 302 | 11-7/8 | 1-1/8 | 10 | MC310 | SC708 | — | — | — |
| 04122 | 302 | 11-7/8 | 1-1/8 | 10 | MC310 | SC708 | — | — | — |
| 04122 | 302 | 11-7/8 | 1-1/8 | 10 | MC309 | SC741 | — | — | — |
| 04122 | 302 | 11-7/8 | 1-1/8 | 10 | MC372 | SC741 | — | — | — |
| 04049 | 280 | 11 | 1-1/8 | 10 | — | — | — | — | — |
| 04049 | 280 | 11 | 1-1/8 | 10 | — | — | — | — | — |
| 04131 | 300 | 11-3/4 | 1-1/8 | 10 | MC372 | SC741 | — | — | — |
| 04163A | 302 | 11-7/8 | 1-1/8 | 10 | MC372 | SC741 | — | — | FWGMC126 |
| 04163 | 302 | 11-7/8 | 1-1/8 | 10 | MC372 | SC741 | — | — | FWGMC126 |
| 04163 | 302 | 11-7/8 | 1-1/8 | 10 | MC380 | SC741 | — | — | FWGMC126 |
| 04163A | 302 | 11-7/8 | 1-1/8 | 10 | MC380 | SC741 | — | — | FWGMC126 |
| 04131 | 300 | 11-3/4 | 1-1/8 | 10 | MC380 | SC741 | — | — | — |
| 04154 | 302 | 11-7/8 | 1-1/8 | 10 | MC377 | SC746 | — | — | FWGMC126 |
| 04154A | 302 | 11-7/8 | 1-1/8 | 10 | MC377 | SC746 | — | — | FWGMC126 |
| KGM12 | 300 | 11-3/4 | 1-1/8 | 10 | MC377 | SC746 | — | — | FWGMC01 |
| KGM12A | 300 | 11-3/4 | 1-1/8 | 10 | MC377 | SC746 | — | — | FWGMC01 |
| 04105 | 300 | 11-3/4 | 1-1/8 | 10 | — | — | — | — | — |
| 04517 | 300 | 11-3/4 | 1-1/8 | 10 | — | — | — | — | — |
| 04064 | 300 | 11-3/4 | 1-1/8 | 10 | — | — | — | — | — |
| 04105 | 300 | 11-3/4 | 1-1/8 | 10 | — | — | — | — | — |
| 04517 | 300 | 11-3/4 | 1-1/8 | 10 | — | — | — | — | — |
| 04502 | 300 | 11-3/4 | 1-1/8 | 10 | — | — | — | — | — |
| 04020 | 280 | 11 | 1-1/8 | 26 | — | — | — | — | FWGM100 |
| KGM13 | 305 | 12 | 1-3/8 | 10 | MC381 | BRG0152 | — | — | — |
| KGM13A | 305 | 12 | 1-3/8 | 10 | MC381 | BRG0152 | — | — | DMF029 |
| KGM13 | 305 | 12 | 1-3/8 | 10 | MC381 | BRG0152 | — | — | — |
| KGM13A | 305 | 12 | 1-3/8 | 10 | MC381 | BRG0152 | — | — | DMF029 |
| GMK1029 | 305 | 12 | 1-3/8 | 10 | MC381 | BRG0152 | — | — | — |
| 04105 | 300 | 11-3/4 | 1-1/8 | 10 | — | — | — | — | — |
| 04517 | 300 | 11-3/4 | 1-1/8 | 10 | — | — | — | — | — |
| 04502 | 300 | 11-3/4 | 1-1/8 | 10 | — | — | — | — | — |
| 04122 | 302 | 11-7/8 | 1-1/8 | 10 | — | — | — | — | — |
| 04105 | 300 | 11-3/4 | 1-1/8 | 10 | — | — | — | — | FWGM102 |
| 04122 | 302 | 11-7/8 | 1-1/8 | 10 | — | — | — | — | FWGM102 |
| 04502 | 300 | 11-3/4 | 1-1/8 | 10 | — | — | — | — | FWGM102 |

| Liter | CC/IN | Cyl | Years | | Application Information |
|-------|-------|-----|-------|------|-------------------------|
| | | | To | From | |

CHEVROLET LIGHT TRUCK, SUV & VAN CONT.

BLAZER (FULL SIZE), C10-30, K10-30, R10-30, V10-30, SILVERADO, TAHOE CONT.

| | | | | | |
|-----|-----|----|------|------|---|
| 7.4 | 452 | V8 | 1974 | 1984 | 12" Lever Clutch, with Ceramic Button |
| 7.4 | 452 | V8 | 1985 | 1986 | 12" Diaph Clutch with Ceramic Button |
| 7.4 | 452 | V8 | 1985 | 1986 | Diaph Clutch |
| 7.4 | 452 | V8 | 1987 | 1991 | 12" Diaph Clutch, Non-Pre Damped |
| 7.4 | 452 | V8 | 1987 | 1991 | Pre-Damped |
| 7.4 | 452 | V8 | 1987 | 1991 | R & V Series Pre-Damped |
| 7.4 | 452 | V8 | 1988 | 1988 | 12" Diaph Clutch, Non-Pre Damped |
| 7.4 | 452 | V8 | 1988 | 1988 | R & V Series Pre-Damped |
| 7.4 | 452 | V8 | 1988 | 1991 | R & V Series, Non Pre-Damped |
| 7.4 | 452 | V8 | 1988 | 1995 | 12" Diaph Clutch, Non-Pre Damped |
| 7.4 | 452 | V8 | 1988 | 1995 | Pre-Damped |
| 7.4 | 452 | V8 | 1990 | 1995 | 12" Diaph Clutch, Non-Pre Damped |
| 7.4 | 452 | V8 | 1990 | 1995 | Pre-Damped |
| 7.4 | 452 | V8 | 1996 | 2000 | — |
| 7.4 | 452 | V8 | 1996 | 2000 | Turbo Diesel 5 Spd with LUK type solid flywheel. Kit includes flywheel. |
| 8.1 | 494 | V8 | 2001 | 2002 | 5 Spd |
| 8.1 | 494 | V8 | 2001 | 2003 | 6 Spd, Sold as Kit Only, Includes Slave Cylinder |
| 8.1 | 494 | V8 | 2004 | 2006 | From Jan 1/2004, Slave Cylinder Included, Sold as Kit Only |

COLORADO

| | | | | | |
|-----|-----|----|------|------|--|
| 2.8 | 171 | L4 | 2004 | 2004 | Sold as Kit Only, Includes CSC Hydraulic Slave |
| 2.8 | 171 | L4 | 2005 | 2006 | Sold as Kit Only, Includes CSC Hydraulic Slave |
| 3.5 | 214 | L5 | 2004 | 2006 | Sold as Kit Only |

G10-30 VAN

| | | | | | |
|-----|-----|----|------|------|---|
| 2.5 | 153 | L4 | 1964 | 1965 | — |
| 3.2 | 195 | L6 | 1964 | 1966 | 10" Disc |
| 3.2 | 195 | L6 | 1964 | 1966 | 11" Disc |
| 3.8 | 232 | L6 | 1966 | 1969 | 10" Disc |
| 3.8 | 232 | L6 | 1966 | 1969 | 11" Disc |
| 4.1 | 250 | L6 | 1967 | 1976 | 10" Disc |
| 4.1 | 250 | L6 | 1967 | 1976 | 11" Disc |
| 4.1 | 250 | L6 | 1977 | 1984 | 11" Disc |
| 4.1 | 250 | L6 | 1977 | 1984 | 12" Diaph Clutch with Ceramic Button |
| 4.1 | 250 | L6 | 1977 | 1984 | 12" Diaph Clutch, Non-Pre Damped |
| 4.1 | 250 | L6 | 1977 | 1984 | 12" Lever Clutch with Ceramic Button |
| 4.1 | 250 | L6 | 1977 | 1984 | 12" Lever Type Clutch |
| 4.3 | 262 | V6 | 1985 | 1988 | — |
| 4.3 | 262 | V6 | 1988 | 1990 | — |
| 4.3 | 262 | V6 | 1988 | 1990 | — |
| 4.8 | 293 | L6 | 1971 | 1974 | 11" Disc |
| 4.8 | 293 | L6 | 1971 | 1980 | 12" Diaph Clutch with Ceramic Button |
| 4.8 | 293 | L6 | 1971 | 1980 | 12" Diaph Clutch, Non-Pre Damped |
| 4.8 | 293 | L6 | 1971 | 1980 | 12" Lever Clutch with Ceramic Button |
| 4.8 | 293 | L6 | 1971 | 1980 | 12" Lever Type Clutch |
| 4.8 | 293 | L6 | 1974 | 1974 | 11" Disc, LPG Gas |
| 4.8 | 293 | L6 | 1974 | 1974 | LPG Gas, 12" Diaph Clutch with Ceramic Button |
| 4.8 | 293 | L6 | 1974 | 1974 | LPG Gas, 12" Diaph Clutch, Non-Pre Damped |
| 4.8 | 293 | L6 | 1974 | 1974 | LPG Gas, 12" Lever Clutch with Ceramic Button |
| 4.8 | 293 | L6 | 1974 | 1974 | LPG Gas, 12" Lever Type Clutch |
| 4.8 | 293 | L6 | 1975 | 1980 | 11" Disc |
| 5.0 | 305 | V8 | 1968 | 1973 | 11" Disc |
| 5.0 | 305 | V8 | 1977 | 1984 | 11" Disc |
| 5.0 | 305 | V8 | 1977 | 1984 | 12" Diaph Clutch with Ceramic Button |
| 5.0 | 305 | V8 | 1977 | 1984 | 12" Diaph Clutch, Non-Pre Damped |
| 5.0 | 305 | V8 | 1977 | 1984 | 12" Lever Clutch with Ceramic Button |
| 5.0 | 305 | V8 | 1977 | 1984 | 12" Lever Type Clutch |
| 5.0 | 305 | V8 | 1985 | 1990 | — |

| Kit | Disc (mm) | Disc (in) | Spline Dia | Splines | Master Cyl | Slave Cyl | Clutch Cable | Clutch Fork | New Flywheel |
|---------|-----------|-----------|------------|---------|------------|-----------|--------------|-------------|--------------|
| 04517 | 300 | 11-3/4 | 1-1/8 | 10 | — | — | — | — | FWGM102 |
| 04105 | 300 | 11-3/4 | 1-1/8 | 10 | MC309 | SC827 | — | — | FWGM102 |
| 04122 | 302 | 11-7/8 | 1-1/8 | 10 | MC309 | SC827 | — | — | FWGM102 |
| 04064 | 300 | 11-3/4 | 1-1/8 | 10 | MC310 | SC708 | — | — | FWGM102 |
| 04122 | 302 | 11-7/8 | 1-1/8 | 10 | MC310 | SC708 | — | — | FWGM102 |
| 04122 | 302 | 11-7/8 | 1-1/8 | 10 | MC309 | SC827 | — | — | FWGM102 |
| 04064 | 300 | 11-3/4 | 1-1/8 | 10 | MC309 | SC741 | — | — | FWGM102 |
| 04122 | 302 | 11-7/8 | 1-1/8 | 10 | MC309 | SC741 | — | — | FWGM102 |
| 04064 | 300 | 11-3/4 | 1-1/8 | 10 | MC309 | SC827 | — | — | FWGM102 |
| 04064 | 300 | 11-3/4 | 1-1/8 | 10 | MC380 | SC741 | — | — | FWGM102 |
| 04122 | 302 | 11-7/8 | 1-1/8 | 10 | MC380 | SC741 | — | — | FWGM102 |
| 04064 | 300 | 11-3/4 | 1-1/8 | 10 | MC372 | SC741 | — | — | FWGM102 |
| 04122 | 302 | 11-7/8 | 1-1/8 | 10 | MC372 | SC741 | — | — | FWGM102 |
| 04154 | 302 | 11-7/8 | 1-1/8 | 10 | MC377 | SC746 | — | — | — |
| 04154A | 302 | 11-7/8 | 1-1/8 | 10 | MC377 | SC746 | — | — | FWGMC126 |
| KGM18 | 300 | 11-3/4 | 1-1/4 | 10 | MC377 | SC801 | — | — | — |
| GMK1025 | 295 | 11-11/16 | 1-3/8 | 10 | MC377 | SC801 | — | — | — |
| GMK1019 | 295 | 11-11/16 | 1-3/8 | 10 | MC377 | SC801 | — | — | — |
| GMK1015 | 264 | 10-3/8 | 1-1/8 | 26 | MC462 | SC801 | — | — | — |
| GMK1015 | 264 | 10-3/8 | 1-1/8 | 26 | MC462 | SC809 | — | — | — |
| GMK1028 | 265 | 10-7/16 | 1-3/16 | 26 | MC462 | SC809 | — | — | — |
| 04002 | 265 | 10-1/2 | 1-1/8 | 10 | — | — | — | — | — |
| 04003 | 254 | 10 | 1-1/8 | 10 | — | — | — | — | — |
| 04072 | 280 | 11 | 1-1/8 | 10 | — | — | — | — | — |
| 04003 | 254 | 10 | 1-1/8 | 10 | — | — | — | — | — |
| 04072 | 280 | 11 | 1-1/8 | 10 | — | — | — | — | — |
| 04003 | 254 | 10 | 1-1/8 | 10 | — | — | — | — | FWGM101 |
| 04072 | 280 | 11 | 1-1/8 | 10 | — | — | — | — | — |
| 04049 | 280 | 11 | 1-1/8 | 10 | — | — | — | — | — |
| 04105 | 300 | 11-3/4 | 1-1/8 | 10 | — | — | — | — | — |
| 04064 | 300 | 11-3/4 | 1-1/8 | 10 | — | — | — | — | — |
| 04517 | 300 | 11-3/4 | 1-1/8 | 10 | — | — | — | — | — |
| 04502 | 300 | 11-3/4 | 1-1/8 | 10 | — | — | — | — | — |
| 04089 | 280 | 11 | 1-1/8 | 10 | — | — | — | — | — |
| 04089 | 280 | 11 | 1-1/8 | 10 | — | — | — | — | FWGM108 |
| 04089 | 280 | 11 | 1-1/8 | 10 | — | SC708 | — | — | FWGM108 |
| 04049 | 280 | 11 | 1-1/8 | 10 | — | — | — | — | — |
| 04105 | 300 | 11-3/4 | 1-1/8 | 10 | — | — | — | — | — |
| 04064 | 300 | 11-3/4 | 1-1/8 | 10 | — | — | — | — | — |
| 04517 | 300 | 11-3/4 | 1-1/8 | 10 | — | — | — | — | — |
| 04502 | 300 | 11-3/4 | 1-1/8 | 10 | — | — | — | — | — |
| 04049 | 280 | 11 | 1-1/8 | 10 | — | — | — | — | — |
| 04105 | 300 | 11-3/4 | 1-1/8 | 10 | — | — | — | — | — |
| 04064 | 300 | 11-3/4 | 1-1/8 | 10 | — | — | — | — | — |
| 04517 | 300 | 11-3/4 | 1-1/8 | 10 | — | — | — | — | — |
| 04502 | 300 | 11-3/4 | 1-1/8 | 10 | — | — | — | — | — |
| 04049 | 280 | 11 | 1-1/8 | 10 | — | — | — | — | FWGM104 |
| 04049 | 280 | 11 | 1-1/8 | 10 | — | — | — | — | — |
| 04049 | 280 | 11 | 1-1/8 | 10 | — | — | — | — | — |
| 04105 | 300 | 11-3/4 | 1-1/8 | 10 | — | — | — | — | — |
| 04064 | 300 | 11-3/4 | 1-1/8 | 10 | — | — | — | — | — |
| 04517 | 300 | 11-3/4 | 1-1/8 | 10 | — | — | — | — | — |
| 04502 | 300 | 11-3/4 | 1-1/8 | 10 | — | — | — | — | — |
| 04121 | 280 | 11 | 1-1/8 | 10 | — | — | — | — | — |

1

| Liter | CC/IN | Cyl | Years | | Application Information |
|-------|-------|-----|-------|------|-------------------------|
| | | | To | From | |

CHEVROLET LIGHT TRUCK, SUV & VAN CONT.

G10-30 VAN CONT.

| | | | | | |
|-----|-----|----|------|------|---|
| 5.7 | 348 | V8 | 1970 | 1984 | 11" Disc |
| 5.7 | 348 | V8 | 1970 | 1984 | 12" Diaph Clutch with Ceramic Button |
| 5.7 | 348 | V8 | 1970 | 1984 | 12" Diaph Clutch, Non-Pre Damped |
| 5.7 | 348 | V8 | 1970 | 1984 | 12" Lever Clutch with Ceramic Button |
| 5.7 | 348 | V8 | 1970 | 1984 | 12" Lever Type Clutch |
| 5.7 | 348 | V8 | 1974 | 1974 | 11" Disc, LPG Gas |
| 5.7 | 348 | V8 | 1974 | 1974 | LPG Gas, 12" Diaph Clutch with Ceramic Button |
| 5.7 | 348 | V8 | 1974 | 1974 | LPG Gas, 12" Diaph Clutch, Non-Pre Damped |
| 5.7 | 348 | V8 | 1974 | 1974 | LPG Gas, 12" Lever Clutch with Ceramic Button |
| 5.7 | 348 | V8 | 1974 | 1974 | LPG Gas, 12" Lever Type Clutch |
| 5.7 | 348 | V8 | 1985 | 1987 | 12" Diaph Clutch, Non-Pre Damped |
| 5.7 | 348 | V8 | 1985 | 1987 | Pre-Damped |
| 5.7 | 348 | V8 | 1988 | 1990 | 12" Diaph Clutch, Non-Pre Damped |
| 5.7 | 348 | V8 | 1988 | 1990 | Pre-Damped |
| 6.2 | 378 | V8 | 1983 | 1990 | Diesel, Non Pre-Damped |
| 6.2 | 378 | V8 | 1983 | 1990 | Diesel, Pre-Damped |
| 6.6 | 403 | V8 | 1978 | 1980 | — |
| 7.4 | 452 | V8 | 1973 | 1973 | 12" Diaph Clutch, Non-Pre Damped |
| 7.4 | 452 | V8 | 1973 | 1973 | Pre-Damped |
| 7.4 | 452 | V8 | 1974 | 1976 | 12" Diaph Clutch, Non-Pre Damped |
| 7.4 | 452 | V8 | 1974 | 1976 | Pre-Damped |
| 7.4 | 452 | V8 | 1988 | 1990 | 12" Diaph Clutch, Non-Pre Damped |
| 7.4 | 452 | V8 | 1988 | 1990 | Pre-Damped |

LUV PICKUP

| | | | | | |
|-----|-----|----|------|------|--------|
| 1.8 | 110 | L4 | 1972 | 1977 | — |
| 1.8 | 110 | L4 | 1978 | 1979 | — |
| 1.8 | 110 | L4 | 1980 | 1982 | 2 WD |
| 1.8 | 110 | L4 | 1980 | 1982 | 4 WD |
| 2.2 | 134 | L4 | 1981 | 1982 | Diesel |

P10-30 STEPVAN

| | | | | | |
|-----|-----|----|------|------|---|
| 2.5 | 153 | L4 | 1963 | 1965 | — |
| 3.2 | 195 | L6 | 1966 | 1966 | 10" Disc |
| 3.2 | 195 | L6 | 1966 | 1966 | 11" Disc |
| 3.8 | 232 | L6 | 1963 | 1969 | 10" Disc |
| 3.8 | 232 | L6 | 1963 | 1969 | 11" Disc |
| 3.9 | 238 | L6 | 1961 | 1962 | 10" Disc |
| 3.9 | 238 | L6 | 1961 | 1962 | 12" Diaph Clutch |
| 3.9 | 238 | L6 | 1961 | 1962 | 12" Diaph Type Clutch with Ceramic Button |
| 4.1 | 250 | L6 | 1966 | 1966 | 10" Disc |
| 4.1 | 250 | L6 | 1966 | 1966 | 11" Disc |
| 4.1 | 250 | L6 | 1968 | 1974 | 10" Disc |
| 4.1 | 250 | L6 | 1968 | 1974 | 11" Disc |
| 4.1 | 250 | L6 | 1976 | 1976 | 10" Disc |
| 4.1 | 250 | L6 | 1976 | 1976 | 11" Disc |
| 4.1 | 250 | L6 | 1979 | 1979 | 11" Disc |
| 4.1 | 250 | L6 | 1979 | 1979 | 12" Diaph Clutch |
| 4.1 | 250 | L6 | 1979 | 1979 | 12" Diaph Clutch with Ceramic Button |
| 4.1 | 250 | L6 | 1979 | 1979 | 12" Lever Clutch with Ceramic Button |
| 4.1 | 250 | L6 | 1979 | 1979 | 12" Lever Type Clutch |
| 4.3 | 262 | V6 | 1990 | 1991 | — |
| 4.3 | 262 | V6 | 1992 | 1995 | — |
| 4.3 | 262 | V6 | 1996 | 1996 | — |
| 4.3 | 262 | V6 | 1997 | 1998 | — |
| 4.3 | 262 | V6 | 1999 | 1999 | — |
| 4.6 | 281 | V8 | 1961 | 1962 | 11" Disc |

| Kit | Disc (mm) | Disc (in) | Spline Dia | Splines | Master Cyl | Slave Cyl | Clutch Cable | Clutch Fork | New Flywheel |
|-------|-----------|-----------|------------|---------|------------|-----------|--------------|-------------|--------------|
| 04049 | 280 | 11 | 1-1/8 | 10 | — | — | — | — | — |
| 04105 | 300 | 11-3/4 | 1-1/8 | 10 | — | — | — | — | — |
| 04064 | 300 | 11-3/4 | 1-1/8 | 10 | — | — | — | — | — |
| 04517 | 300 | 11-3/4 | 1-1/8 | 10 | — | — | — | — | — |
| 04502 | 300 | 11-3/4 | 1-1/8 | 10 | — | — | — | — | — |
| 04049 | 280 | 11 | 1-1/8 | 10 | — | — | — | — | — |
| 04105 | 300 | 11-3/4 | 1-1/8 | 10 | — | — | — | — | — |
| 04064 | 300 | 11-3/4 | 1-1/8 | 10 | — | — | — | — | — |
| 04517 | 300 | 11-3/4 | 1-1/8 | 10 | — | — | — | — | — |
| 04502 | 300 | 11-3/4 | 1-1/8 | 10 | — | — | — | — | — |
| 04064 | 300 | 11-3/4 | 1-1/8 | 10 | MC309 | SC827 | — | — | — |
| 04128 | 300 | 11-3/4 | 1-1/8 | 10 | MC309 | SC827 | — | — | — |
| 04064 | 300 | 11-3/4 | 1-1/8 | 10 | — | — | — | — | FWGM103 |
| 04128 | 300 | 11-3/4 | 1-1/8 | 10 | — | — | — | — | FWGM103 |
| 04087 | 302 | 11-7/8 | 1-1/8 | 10 | — | — | — | — | — |
| 04128 | 300 | 11-3/4 | 1-1/8 | 10 | — | — | — | — | — |
| 04020 | 280 | 11 | 1-1/8 | 26 | — | — | — | — | FWGM100 |
| 04064 | 300 | 11-3/4 | 1-1/8 | 10 | — | — | — | — | — |
| 04122 | 302 | 11-7/8 | 1-1/8 | 10 | — | — | — | — | — |
| 04064 | 300 | 11-3/4 | 1-1/8 | 10 | — | — | — | — | FWGM102 |
| 04122 | 302 | 11-7/8 | 1-1/8 | 10 | — | — | — | — | FWGM102 |
| 04064 | 300 | 11-3/4 | 1-1/8 | 10 | — | — | — | — | FWGM102 |
| 04122 | 302 | 11-7/8 | 1-1/8 | 10 | — | — | — | — | FWGM102 |
| 04058 | 200 | 7-7/8 | 1 | 24 | MC488 | — | — | — | — |
| 04058 | 200 | 7-7/8 | 1 | 24 | — | — | — | — | — |
| 04058 | 200 | 7-7/8 | 1 | 24 | — | — | — | — | — |
| 04071 | 215 | 8-1/2 | 1 | 24 | — | — | — | — | — |
| 04071 | 215 | 8-1/2 | 1 | 24 | — | — | — | — | — |
| 04002 | 265 | 10-1/2 | 1-1/8 | 10 | — | — | — | — | — |
| 04003 | 254 | 10 | 1-1/8 | 10 | — | — | — | — | — |
| 04072 | 280 | 11 | 1-1/8 | 10 | — | — | — | — | — |
| 04003 | 254 | 10 | 1-1/8 | 10 | — | — | — | — | — |
| 04072 | 280 | 11 | 1-1/8 | 10 | — | — | — | — | — |
| 04003 | 254 | 10 | 1-1/8 | 10 | — | — | — | — | — |
| 04064 | 300 | 11-3/4 | 1-1/8 | 10 | — | — | — | — | — |
| 04105 | 300 | 11-3/4 | 1-1/8 | 10 | — | — | — | — | — |
| 04003 | 254 | 10 | 1-1/8 | 10 | — | — | — | — | — |
| 04072 | 280 | 11 | 1-1/8 | 10 | — | — | — | — | — |
| 04003 | 254 | 10 | 1-1/8 | 10 | — | — | — | — | FWGM101 |
| 04072 | 280 | 11 | 1-1/8 | 10 | — | — | — | — | — |
| 04003 | 254 | 10 | 1-1/8 | 10 | — | — | — | — | FWGM101 |
| 04072 | 280 | 11 | 1-1/8 | 10 | — | — | — | — | — |
| 04049 | 280 | 11 | 1-1/8 | 10 | — | — | — | — | — |
| 04064 | 300 | 11-3/4 | 1-1/8 | 10 | — | — | — | — | — |
| 04105 | 300 | 11-3/4 | 1-1/8 | 10 | — | — | — | — | — |
| 04517 | 300 | 11-3/4 | 1-1/8 | 10 | — | — | — | — | — |
| 04502 | 300 | 11-3/4 | 1-1/8 | 10 | — | — | — | — | — |
| 04089 | 280 | 11 | 1-1/8 | 10 | MC375 | SC744 | — | — | FWGM108 |
| 04121 | 280 | 11 | 1-1/8 | 10 | MC374 | SC741 | — | — | FWGM108 |
| KGM10 | 280 | 11 | 1-1/8 | 10 | MC379 | SC746 | — | — | FWGM108 |
| KGM10 | 280 | 11 | 1-1/8 | 10 | MC379 | SC746 | — | — | — |
| KGM17 | 280 | 11 | 1-1/8 | 10 | — | — | — | — | — |
| 04072 | 280 | 11 | 1-1/8 | 10 | — | — | — | — | — |

1

| Liter | CC/IN | Cyl | Years | | Application Information |
|-------|-------|-----|-------|------|-------------------------|
| | | | To | From | |

CHEVROLET LIGHT TRUCK, SUV & VAN CONT.

P10-30 STEPVAN CONT.

1

| | | | | | |
|-----|-----|----|------|------|---|
| 4.6 | 281 | V8 | 1961 | 1962 | 12" Lever Type Clutch |
| 4.8 | 293 | L6 | 1964 | 1968 | 11" Disc |
| 4.8 | 293 | L6 | 1969 | 1974 | 11" Disc |
| 4.8 | 293 | L6 | 1969 | 1984 | 12" Lever Type Clutch |
| 4.8 | 293 | L6 | 1974 | 1974 | 11" Disc, LPG Gas |
| 4.8 | 293 | L6 | 1974 | 1974 | LPG Gas, 12" Lever Type Clutch |
| 4.8 | 293 | L6 | 1975 | 1984 | 11" Disc |
| 4.8 | 293 | L6 | 1985 | 1989 | — |
| 5.0 | 305 | V8 | 1968 | 1979 | — |
| 5.4 | 330 | V8 | 1962 | 1962 | 12" Lever Type Clutch |
| 5.7 | 348 | V8 | 1970 | 1978 | 11" Clutch |
| 5.7 | 348 | V8 | 1970 | 1978 | 12" Diaph Clutch with Ceramic Button |
| 5.7 | 348 | V8 | 1970 | 1985 | 12" Diaph Clutch |
| 5.7 | 348 | V8 | 1970 | 1985 | 12" Lever Clutch with Ceramic Button |
| 5.7 | 348 | V8 | 1970 | 1985 | 12" Lever Type Clutch |
| 5.7 | 348 | V8 | 1979 | 1985 | 12" Diaph Clutch with Ceramic Button |
| 5.7 | 348 | V8 | 1986 | 1988 | 12" Diaph Clutch |
| 5.7 | 348 | V8 | 1986 | 1988 | 12" Diaph Clutch with Ceramic Button |
| 5.7 | 348 | V8 | 1986 | 1988 | 12" Lever Clutch with Ceramic Button |
| 5.7 | 348 | V8 | 1986 | 1988 | 12" Lever Type Clutch |
| 5.7 | 348 | V8 | 1989 | 1990 | 12" Diaph Clutch |
| 5.7 | 348 | V8 | 1989 | 1990 | 12" Diaph Clutch with Ceramic Button |
| 5.7 | 348 | V8 | 1989 | 1990 | 12" Lever Clutch with Ceramic Button |
| 5.7 | 348 | V8 | 1989 | 1990 | 12" Lever Type Clutch |
| 5.7 | 348 | V8 | 1991 | 1991 | 12" Diaph Clutch with Ceramic Button, To 1/31/91 |
| 5.7 | 348 | V8 | 1991 | 1991 | 12" Diaph Clutch, To 3/31/91 |
| 5.7 | 348 | V8 | 1991 | 1991 | 12" Lever Clutch with Ceramic Button, To 1/31/91 |
| 5.7 | 348 | V8 | 1991 | 1991 | 12" Lever Type Clutch To 1/31/91 |
| 5.7 | 348 | V8 | 1992 | 1995 | Non Pre-Damped |
| 5.7 | 348 | V8 | 1992 | 1995 | Pre-Damped |
| 5.7 | 348 | V8 | 1996 | 1996 | — |
| 5.7 | 348 | V8 | 1997 | 1999 | — |
| 6.2 | 378 | V8 | 1982 | 1989 | Diesel, Non Pre-Damped |
| 6.2 | 378 | V8 | 1982 | 1989 | Diesel, Pre-Damped |
| 6.2 | 378 | V8 | 1990 | 1991 | Diesel, Non Pre-Damped |
| 6.2 | 378 | V8 | 1990 | 1991 | Diesel, Pre-Damped |
| 6.2 | 378 | V8 | 1992 | 1993 | Diesel, Non Pre-Damped |
| 6.2 | 378 | V8 | 1992 | 1993 | Diesel, Pre-Damped |
| 6.5 | 397 | V8 | 1994 | 1994 | Diesel, Non Pre-Damped |
| 6.5 | 397 | V8 | 1994 | 1994 | Diesel, Pre-Damped |
| 6.5 | 397 | V8 | 1994 | 1994 | Turbo Diesel, Non Pre-Damped |
| 6.5 | 397 | V8 | 1994 | 1994 | Turbo Diesel, Pre-Damped |
| 6.5 | 397 | V8 | 1995 | 1995 | Diesel, Non Pre-Damped |
| 6.5 | 397 | V8 | 1995 | 1995 | Diesel, Pre-Damped |
| 6.5 | 397 | V8 | 1995 | 1995 | Turbo Diesel, Non Pre-Damped |
| 6.5 | 397 | V8 | 1995 | 1995 | Turbo Diesel, Pre-Damped |
| 6.5 | 397 | V8 | 1996 | 1999 | Turbo Diesel 5 Spd with LUK Solid type FW. Kit does not include flywheel. |
| 6.5 | 397 | V8 | 1996 | 1999 | Turbo Diesel 5 Spd with LUK Solid Type FW. Kit includes flywheel. |
| 6.5 | 397 | V8 | 1996 | 1999 | Turbo Diesel 5 Spd with Valeo type DMF. Kit does not include flywheel. |
| 6.5 | 397 | V8 | 1996 | 1999 | Turbo Diesel 5 Spd with Valeo type DMF. Kit includes flywheel. |
| 6.6 | 403 | V8 | 1972 | 1977 | 12" Diaph Clutch, Non-Pre Damped |
| 6.7 | 409 | V8 | 1962 | 1962 | 12" Diaph Clutch, Non-Pre Damped |
| 6.7 | 409 | V8 | 1964 | 1965 | 12" Diaph Clutch, Non-Pre Damped |
| 7.4 | 452 | V8 | 1970 | 1971 | 12" Diaph Clutch, Non-Pre Damped |
| 7.4 | 452 | V8 | 1970 | 1971 | Pre-Damped |



| Kit | Disc (mm) | Disc (in) | Spline Dia | Splines | Master Cyl | Slave Cyl | Clutch Cable | Clutch Fork | New Flywheel |
|--------|-----------|-----------|------------|---------|------------|-----------|--------------|-------------|--------------|
| 04502 | 300 | 11-3/4 | 1-1/8 | 10 | — | — | — | — | — |
| 04072 | 280 | 11 | 1-1/8 | 10 | — | — | — | — | — |
| 04049 | 280 | 11 | 1-1/8 | 10 | — | — | — | — | — |
| 04502 | 300 | 11-3/4 | 1-1/8 | 10 | — | — | — | — | — |
| 04049 | 280 | 11 | 1-1/8 | 10 | — | — | — | — | — |
| 04502 | 300 | 11-3/4 | 1-1/8 | 10 | — | — | — | — | — |
| 04049 | 280 | 11 | 1-1/8 | 10 | — | — | — | — | FWGM104 |
| 04081 | 280 | 11 | 1-1/8 | 10 | — | — | — | — | FWGM104 |
| 04049 | 280 | 11 | 1-1/8 | 10 | — | — | — | — | — |
| 04502 | 300 | 11-3/4 | 1-1/8 | 10 | — | — | — | — | — |
| 04049 | 280 | 11 | 1-1/8 | 10 | — | — | — | — | — |
| 04105 | 300 | 11-3/4 | 1-1/8 | 10 | — | — | — | — | — |
| 04064 | 300 | 11-3/4 | 1-1/8 | 10 | — | — | — | — | — |
| 04517 | 300 | 11-3/4 | 1-1/8 | 10 | — | — | — | — | — |
| 04502 | 300 | 11-3/4 | 1-1/8 | 10 | — | — | — | — | — |
| 04105 | 300 | 11-3/4 | 1-1/8 | 10 | — | — | — | — | — |
| 04064 | 300 | 11-3/4 | 1-1/8 | 10 | — | — | — | — | FWGM103 |
| 04105 | 300 | 11-3/4 | 1-1/8 | 10 | — | — | — | — | FWGM103 |
| 04517 | 300 | 11-3/4 | 1-1/8 | 10 | — | — | — | — | FWGM103 |
| 04502 | 300 | 11-3/4 | 1-1/8 | 10 | — | — | — | — | FWGM103 |
| 04064 | 300 | 11-3/4 | 1-1/8 | 10 | MC375 | SC744 | — | — | FWGM103 |
| 04105 | 300 | 11-3/4 | 1-1/8 | 10 | MC375 | SC744 | — | — | FWGM103 |
| 04517 | 300 | 11-3/4 | 1-1/8 | 10 | MC375 | SC744 | — | — | FWGM103 |
| 04502 | 300 | 11-3/4 | 1-1/8 | 10 | MC375 | SC744 | — | — | FWGM103 |
| 04105 | 300 | 11-3/4 | 1-1/8 | 10 | MC375 | SC744 | — | — | FWGM103 |
| 04064 | 300 | 11-3/4 | 1-1/8 | 10 | MC375 | SC744 | — | — | FWGM103 |
| 04517 | 300 | 11-3/4 | 1-1/8 | 10 | MC375 | SC744 | — | — | FWGM103 |
| 04502 | 300 | 11-3/4 | 1-1/8 | 10 | MC375 | SC744 | — | — | FWGM103 |
| 04122 | 302 | 11-7/8 | 1-1/8 | 10 | MC374 | SC741 | — | — | — |
| 04128 | 300 | 11-3/4 | 1-1/8 | 10 | MC374 | SC741 | — | — | — |
| 04160 | 302 | 11-7/8 | 1-1/8 | 10 | MC379 | SC746 | — | — | — |
| 04170 | 305 | 12 | 1-1/8 | 10 | MC379 | SC746 | — | — | — |
| 04087 | 302 | 11-7/8 | 1-1/8 | 10 | MC309 | SC827 | — | — | — |
| 04128 | 300 | 11-3/4 | 1-1/8 | 10 | MC309 | SC827 | — | — | — |
| 04087 | 302 | 11-7/8 | 1-1/8 | 10 | MC375 | SC744 | — | — | — |
| 04128 | 300 | 11-3/4 | 1-1/8 | 10 | MC375 | SC744 | — | — | — |
| 04087 | 302 | 11-7/8 | 1-1/8 | 10 | MC374 | SC741 | — | — | — |
| 04128 | 300 | 11-3/4 | 1-1/8 | 10 | MC374 | SC741 | — | — | — |
| 04146 | 302 | 11-7/8 | 1-1/8 | 10 | MC372 | SC741 | — | — | — |
| 04122 | 302 | 11-7/8 | 1-1/8 | 10 | MC372 | SC741 | — | — | — |
| 04146 | 302 | 11-7/8 | 1-1/8 | 10 | MC372 | SC741 | — | — | — |
| 04122 | 302 | 11-7/8 | 1-1/8 | 10 | MC372 | SC741 | — | — | — |
| 04146 | 302 | 11-7/8 | 1-1/8 | 10 | — | SC741 | — | — | — |
| 04122 | 302 | 11-7/8 | 1-1/8 | 10 | — | SC741 | — | — | — |
| 04146 | 302 | 11-7/8 | 1-1/8 | 10 | — | SC741 | — | — | — |
| 04122 | 302 | 11-7/8 | 1-1/8 | 10 | — | SC741 | — | — | — |
| 04154 | 302 | 11-7/8 | 1-1/8 | 10 | MC379 | SC746 | — | — | FWGMC126 |
| 04154A | 302 | 11-7/8 | 1-1/8 | 10 | MC379 | SC746 | — | — | FWGMC126 |
| KGM12 | 300 | 11-3/4 | 1-1/8 | 10 | MC379 | SC746 | — | — | FWGMC01 |
| KGM12A | 300 | 11-3/4 | 1-1/8 | 10 | MC379 | SC746 | — | — | FWGMC01 |
| 04064 | 300 | 11-3/4 | 1-1/8 | 10 | — | — | — | — | — |
| 04064 | 300 | 11-3/4 | 1-1/8 | 10 | — | — | — | — | — |
| 04064 | 300 | 11-3/4 | 1-1/8 | 10 | — | — | — | — | — |
| 04064 | 300 | 11-3/4 | 1-1/8 | 10 | — | — | — | — | — |
| 04122 | 302 | 11-7/8 | 1-1/8 | 10 | — | — | — | — | — |

1

| Liter | CC/IN | Cyl | Years | | Application Information |
|-------|-------|-----|-------|------|-------------------------|
| | | | To | From | |

CHEVROLET LIGHT TRUCK, SUV & VAN CONT.

P10-30 STEPVAN CONT.

| | | | | | |
|-----|-----|----|------|------|---|
| 7.4 | 452 | V8 | 1973 | 1973 | 12" Diaph Clutch, Non-Pre Damped |
| 7.4 | 452 | V8 | 1973 | 1973 | Pre-Damped |
| 7.4 | 452 | V8 | 1974 | 1986 | 12" Diaph Clutch, Non-Pre Damped |
| 7.4 | 452 | V8 | 1974 | 1986 | Pre-Damped |
| 7.4 | 452 | V8 | 1987 | 1987 | 12" Diaph Clutch, Non-Pre Damped |
| 7.4 | 452 | V8 | 1987 | 1987 | Pre-Damped |
| 7.4 | 452 | V8 | 1988 | 1991 | 12" Diaph Clutch, Non-Pre Damped |
| 7.4 | 452 | V8 | 1988 | 1991 | Pre-Damped |
| 7.4 | 452 | V8 | 1992 | 1994 | 12" Diaph Clutch, Non-Pre Damped |
| 7.4 | 452 | V8 | 1992 | 1994 | Pre-Damped |
| 7.4 | 452 | V8 | 1995 | 1995 | 12" Diaph Clutch, Non-Pre Damped |
| 7.4 | 452 | V8 | 1995 | 1995 | Pre-Damped |
| 7.4 | 452 | V8 | 1996 | 1999 | — |
| 7.4 | 452 | V8 | 1996 | 1999 | Turbo Diesel 5 Spd with LUK Solid Type FW. Kit includes flywheel. |

S10/T10, BLAZER

| | | | | | |
|-----|-----|----|------|------|----------------|
| 1.9 | 116 | L4 | 1982 | 1983 | — |
| 1.9 | 116 | L4 | 1984 | 1985 | — |
| 2.0 | 122 | L4 | 1983 | 1983 | Non Pre-Damped |
| 2.0 | 122 | L4 | 1983 | 1983 | Pre-Damped |
| 2.0 | 122 | L4 | 1984 | 1984 | Non Pre-Damped |
| 2.0 | 122 | L4 | 1984 | 1984 | Pre-Damped |
| 2.2 | 134 | L4 | 1983 | 1984 | Diesel |
| 2.2 | 134 | L4 | 1985 | 1985 | Diesel |
| 2.2 | 134 | L4 | 1994 | 1995 | Non Pre-Damped |
| 2.2 | 134 | L4 | 1994 | 1995 | Pre-Damped |
| 2.2 | 134 | L4 | 1996 | 2001 | Non Pre-Damped |
| 2.2 | 134 | L4 | 1996 | 2001 | Pre-Damped |
| 2.2 | 134 | L4 | 2002 | 2003 | — |
| 2.5 | 153 | L4 | 1985 | 1989 | Non Pre-Damped |
| 2.5 | 153 | L4 | 1985 | 1989 | Pre-Damped |
| 2.5 | 153 | L4 | 1990 | 1991 | Non Pre-Damped |
| 2.5 | 153 | L4 | 1990 | 1991 | Pre-Damped |
| 2.5 | 153 | L4 | 1992 | 1993 | Non Pre-Damped |
| 2.5 | 153 | L4 | 1992 | 1993 | Pre-Damped |
| 2.8 | 171 | V6 | 1982 | 1982 | — |
| 2.8 | 171 | V6 | 1983 | 1984 | — |
| 2.8 | 171 | V6 | 1985 | 1989 | Non Pre-Damped |
| 2.8 | 171 | V6 | 1985 | 1989 | Pre-Damped |
| 2.8 | 171 | V6 | 1990 | 1991 | Non Pre-Damped |
| 2.8 | 171 | V6 | 1990 | 1991 | Pre-Damped |
| 2.8 | 171 | V6 | 1992 | 1993 | Non Pre-Damped |
| 2.8 | 171 | V6 | 1992 | 1993 | Pre-Damped |
| 4.3 | 262 | V6 | 1988 | 1989 | — |
| 4.3 | 262 | V6 | 1990 | 1991 | — |
| 4.3 | 262 | V6 | 1992 | 1993 | — |
| 4.3 | 262 | V6 | 1994 | 1995 | — |
| 4.3 | 262 | V6 | 1996 | 1998 | — |
| 4.3 | 262 | V6 | 1999 | 2004 | — |

SSR

| | | | | | |
|-----|-----|----|------|------|------------------|
| 6.0 | 366 | V8 | 2005 | 2006 | Sold as Kit Only |
|-----|-----|----|------|------|------------------|

TRACKER

| | | | | | |
|-----|-----|----|------|------|---|
| 1.6 | 98 | L4 | 1999 | 2000 | — |
| 2.0 | 122 | L4 | 1999 | 2003 | — |

| Kit | Disc (mm) | Disc (in) | Spline Dia | Splines | Master Cyl | Slave Cyl | Clutch Cable | Clutch Fork | New Flywheel |
|---------|-----------|-----------|------------|---------|------------|-----------|--------------|-------------|--------------|
| 04064 | 300 | 11-3/4 | 1-1/8 | 10 | — | — | — | — | — |
| 04122 | 302 | 11-7/8 | 1-1/8 | 10 | — | — | — | — | — |
| 04064 | 300 | 11-3/4 | 1-1/8 | 10 | — | — | — | — | FWGM102 |
| 04122 | 302 | 11-7/8 | 1-1/8 | 10 | — | — | — | — | FWGM102 |
| 04064 | 300 | 11-3/4 | 1-1/8 | 10 | MC309 | SC827 | — | — | FWGM102 |
| 04122 | 302 | 11-7/8 | 1-1/8 | 10 | MC309 | SC827 | — | — | FWGM102 |
| 04064 | 300 | 11-3/4 | 1-1/8 | 10 | — | SC827 | — | — | FWGM102 |
| 04122 | 302 | 11-7/8 | 1-1/8 | 10 | — | SC827 | — | — | FWGM102 |
| 04064 | 300 | 11-3/4 | 1-1/8 | 10 | MC372 | SC827 | — | — | FWGM118 |
| 04122 | 302 | 11-7/8 | 1-1/8 | 10 | MC372 | SC827 | — | — | FWGM118 |
| 04064 | 300 | 11-3/4 | 1-1/8 | 10 | MC380 | SC827 | — | — | FWGM118 |
| 04122 | 302 | 11-7/8 | 1-1/8 | 10 | MC380 | SC827 | — | — | FWGM118 |
| 04154 | 302 | 11-7/8 | 1-1/8 | 10 | — | — | — | — | — |
| 04154A | 302 | 11-7/8 | 1-1/8 | 10 | — | — | — | — | FWGMC126 |
| 04067 | 215 | 8-1/2 | 1 | 14 | — | — | — | — | — |
| 04067 | 215 | 8-1/2 | 1 | 14 | MC308 | — | — | CF128 | — |
| 04065 | 228 | 9 | 1 | 14 | — | — | — | — | — |
| 04130 | 232 | 9-1/8 | 1 | 14 | — | — | — | — | — |
| 04065 | 228 | 9 | 1 | 14 | MC486 | SC705 | — | — | — |
| 04130 | 232 | 9-1/8 | 1 | 14 | MC486 | SC705 | — | — | — |
| 04067 | 215 | 8-1/2 | 1 | 14 | MC308 | — | — | CF128 | — |
| 04067 | 215 | 8-1/2 | 1 | 14 | MC308 | SC827 | — | CF128 | — |
| 04138 | 232 | 9-1/8 | 1-1/8 | 26 | MC376 | SC742 | — | CF128 | — |
| KGM05 | 232 | 9-1/8 | 1-1/8 | 26 | MC376 | SC742 | — | CF128 | — |
| 04155 | 232 | 9-1/8 | 1-1/8 | 26 | MC378 | SC746 | — | — | — |
| KGM06 | 232 | 9-1/8 | 1-1/8 | 26 | MC378 | SC746 | — | — | — |
| GMK1004 | 232 | 9-1/8 | 1-1/8 | 26 | MC378 | SC746 | — | — | — |
| 04065 | 228 | 9 | 1 | 14 | MC308 | SC705 | — | CF128 | FWGM115 |
| 04130 | 232 | 9-1/8 | 1 | 14 | MC308 | SC705 | — | CF128 | FWGM115 |
| 04065 | 228 | 9 | 1 | 14 | MC308 | SC705 | — | CF126 | FWGM115 |
| 04130 | 232 | 9-1/8 | 1 | 14 | MC308 | SC705 | — | CF126 | FWGM115 |
| 04065 | 228 | 9 | 1 | 14 | MC373 | SC742 | — | CF126 | FWGM115 |
| 04130 | 232 | 9-1/8 | 1 | 14 | MC373 | SC742 | — | CF126 | FWGM115 |
| 04068 | 215 | 8-1/2 | 1 | 14 | — | — | CC655 | — | — |
| 04069 | 215 | 8-1/2 | 1 | 14 | MC308 | SC743 | CC655 | — | — |
| 04065 | 228 | 9 | 1 | 14 | MC308 | SC705 | — | — | FWGM115 |
| 04130 | 232 | 9-1/8 | 1 | 14 | MC308 | SC705 | — | — | FWGM115 |
| 04065 | 228 | 9 | 1 | 14 | MC308 | SC705 | — | CF126 | FWGM115 |
| 04130 | 232 | 9-1/8 | 1 | 14 | MC308 | SC705 | — | CF126 | FWGM115 |
| 04065 | 228 | 9 | 1 | 14 | MC373 | SC742 | — | CF126 | FWGM115 |
| 04130 | 232 | 9-1/8 | 1 | 14 | MC373 | SC742 | — | CF126 | FWGM115 |
| 04089 | 280 | 11 | 1-1/8 | 10 | MC309 | SC827 | — | — | FWGM108 |
| 04089 | 280 | 11 | 1-1/8 | 10 | MC308 | SC745 | — | — | FWGM108 |
| 04089 | 280 | 11 | 1-1/8 | 10 | MC373 | SC743 | — | — | FWGM108 |
| 04168 | 280 | 11 | 1-1/8 | 10 | MC376 | SC743 | — | — | FWGM108 |
| KGM10 | 280 | 11 | 1-1/8 | 10 | MC378 | SC746 | — | — | FWGM108 |
| KGM10 | 280 | 11 | 1-1/8 | 10 | MC378 | SC746 | — | — | — |
| GMK1024 | 290 | 11-7/16 | 1-1/8 | 26 | — | — | — | — | — |
| 04108 | 200 | 7-7/8 | 7/8 | 20 | MC503 | SC870 | — | — | — |
| KSZ04 | 225 | 8-7/8 | 15/16 | 20 | MC503 | SC870 | — | — | — |

1

| Liter | CC/IN | Cyl | Years | | Application Information |
|--|-------|-----|-------|------|--|
| | | | To | From | |
| CHRYSLER | | | | | |
| 300 | | | | | |
| 6.3 | 384 | V8 | 1962 | 1966 | 10-3/8" Disc |
| 6.8 | 415 | V8 | 1959 | 1965 | 10-3/8" Disc |
| CIRRUS | | | | | |
| 2.0 | 122 | L4 | 2000 | 2000 | Modular Clutch Includes Flywheel |
| CROSSFIRE | | | | | |
| 3.2 | 195 | V6 | 2004 | 2006 | Sold as Kit Only, Includes CSC Hydraulic Slave Cylinder |
| DAYTONA | | | | | |
| 2.2 | 134 | L4 | 1984 | 1989 | Turbo I |
| 2.2 | 134 | L4 | 1992 | 1993 | Turbo III, IV |
| 2.5 | 153 | L4 | 1987 | 1989 | — |
| 2.5 | 153 | L4 | 1989 | 1989 | Turbo |
| 2.5 | 153 | L4 | 1990 | 1990 | — |
| 2.5 | 153 | L4 | 1990 | 1990 | Turbo |
| 2.5 | 153 | L4 | 1991 | 1992 | Turbo |
| 2.5 | 153 | L4 | 1991 | 1993 | — |
| 3.0 | 183 | V6 | 1990 | 1993 | — |
| LASER | | | | | |
| 2.2 | 134 | L4 | 1984 | 1986 | Non-Turbo, Sold As Kit Only |
| 2.2 | 134 | L4 | 1984 | 1986 | Turbo I |
| 2.5 | 153 | L4 | 1986 | 1986 | Non-Turbo |
| LEBARON | | | | | |
| 2.2 | 134 | L4 | 1982 | 1989 | Non-Turbo, Sold As Kit Only |
| 2.2 | 134 | L4 | 1984 | 1985 | Turbo I |
| 2.2 | 134 | L4 | 1986 | 1989 | Intercooled Turbo II |
| 2.2 | 134 | L4 | 1990 | 1990 | Intercooled Turbo II |
| 2.5 | 153 | L4 | 1986 | 1989 | Non-Turbo |
| 2.5 | 153 | L4 | 1989 | 1989 | Turbo |
| 2.5 | 153 | L4 | 1990 | 1990 | Non-Turbo |
| 2.5 | 153 | L4 | 1990 | 1990 | Turbo |
| 2.5 | 153 | L4 | 1991 | 1992 | Turbo |
| 2.5 | 153 | L4 | 1991 | 1993 | — |
| 3.0 | 183 | V6 | 1990 | 1990 | — |
| 3.0 | 183 | V6 | 1991 | 1993 | — |
| NEWPORT, NEW YORKER, SARATOGA, WINDSOR, 300 | | | | | |
| 5.9 | 360 | V8 | 1961 | 1964 | 10-3/8" Disc |
| 5.9 | 360 | V8 | 1971 | 1971 | 10-3/8" Disc |
| 6.3 | 384 | V8 | 1959 | 1961 | 10-3/8" Disc |
| 6.3 | 384 | V8 | 1965 | 1967 | 10-3/8" Disc |
| 6.3 | 384 | V8 | 1968 | 1969 | — |
| 6.3 | 384 | V8 | 1970 | 1971 | 3 Spd, 2 BBL |
| 6.8 | 415 | V8 | 1959 | 1965 | 10-3/8" Disc |
| PT CRUISER | | | | | |
| 2.4 | 146 | L4 | 2001 | 2005 | Non-Turbo |
| 2.4 | 146 | L4 | 2003 | 2005 | Turbo, Includes Slave Cylinder, Sold as Kit Only |
| 2.4 | 146 | L4 | 2005 | 2005 | Turbo, Transmission# 5273472AA, Includes Slave cylinder |
| 2.4 | 146 | L4 | 2006 | 2006 | Non-Turbo |
| 2.4 | 146 | L4 | 2006 | 2006 | Turbo, Transmission# 5274888AC or 5274888AD, Includes Slave cylinder |
| 2.4 | 146 | L4 | 2006 | 2006 | Turbo, Includes Slave Cylinder, Sold as Kit Only |
| SEBRING | | | | | |
| 2.0 | 122 | L4 | 1995 | 1999 | Modular Clutch Includes Flywheel |
| 2.4 | 146 | L4 | 2003 | 2003 | Sold As Kit Only |
| 2.4 | 146 | L4 | 2004 | 2004 | Sold As Kit Only |
| 2.7 | 165 | V6 | 2001 | 2001 | Modular Clutch Includes Flywheel, Sold As Kit Only |
| 2.7 | 165 | V6 | 2002 | 2003 | Modular Clutch Includes Flywheel, Sold As Kit Only |
| 3.0 | 183 | V6 | 2001 | 2003 | Silent Design Disc, Pull Type, Sold As Kit Only |
| 3.0 | 183 | V6 | 2004 | 2004 | Silent Design Disc, Pull Type, Sold As Kit Only |



| Kit | Disc (mm) | Disc (in) | Spline Dia | Splines | Master Cyl | Slave Cyl | Clutch Cable | Clutch Fork | New Flywheel |
|---------|-----------|-----------|------------|---------|------------|-----------|--------------|-------------|--------------|
| 05029 | 263 | 10-3/8 | 1 | 23 | — | — | — | — | — |
| 05029 | 263 | 10-3/8 | 1 | 23 | — | — | — | — | — |
| 05085 | 230 | 9-1/16 | 15/16 | 17 | — | — | — | — | — |
| CRK1009 | 240 | 9-7/16 | 1-1/8 | 26 | — | — | — | — | — |
| 05002 | 232 | 9-1/8 | 13/16 | 18 | — | — | — | — | — |
| 05077 | 232 | 9-1/8 | 15/16 | 17 | — | — | — | — | — |
| 05028A | 215 | 8-7/16 | 13/16 | 18 | — | — | — | — | — |
| 05044 | 232 | 9-1/8 | 13/16 | 18 | — | — | — | — | — |
| 05060 | 232 | 9-1/8 | 13/16 | 18 | — | — | — | — | — |
| 05067 | 232 | 9-1/8 | 13/16 | 18 | — | — | — | — | — |
| 05057 | 232 | 9-1/8 | 15/16 | 17 | — | — | — | — | — |
| 05057 | 232 | 9-1/8 | 15/16 | 17 | — | — | — | — | — |
| 05067 | 232 | 9-1/8 | 13/16 | 18 | — | — | — | — | — |
| 05028A | 215 | 8-7/16 | 13/16 | 18 | — | — | — | — | — |
| 05002 | 232 | 9-1/8 | 13/16 | 18 | — | — | — | — | — |
| 05002 | 232 | 9-1/8 | 13/16 | 18 | — | — | — | — | — |
| 05028A | 215 | 8-7/16 | 13/16 | 18 | — | — | — | — | — |
| 05002 | 232 | 9-1/8 | 13/16 | 18 | — | — | — | — | — |
| 05044 | 232 | 9-1/8 | 13/16 | 18 | — | — | — | — | — |
| 05067 | 232 | 9-1/8 | 13/16 | 18 | — | — | — | — | — |
| 05002 | 232 | 9-1/8 | 13/16 | 18 | — | — | — | — | — |
| 05044 | 232 | 9-1/8 | 13/16 | 18 | — | — | — | — | — |
| 05060 | 232 | 9-1/8 | 13/16 | 18 | — | — | — | — | — |
| 05067 | 232 | 9-1/8 | 13/16 | 18 | — | — | — | — | — |
| 05057 | 232 | 9-1/8 | 15/16 | 17 | — | — | — | — | — |
| 05057 | 232 | 9-1/8 | 15/16 | 17 | — | — | — | — | — |
| 05067 | 232 | 9-1/8 | 13/16 | 18 | — | — | — | — | — |
| 05057 | 232 | 9-1/8 | 15/16 | 17 | — | — | — | — | — |
| 05029 | 263 | 10-3/8 | 1 | 23 | — | — | — | — | — |
| 05029 | 263 | 10-3/8 | 1 | 23 | — | — | — | — | — |
| 05029 | 263 | 10-3/8 | 1 | 23 | — | — | — | — | — |
| 05029 | 263 | 10-3/8 | 1 | 23 | — | — | — | — | — |
| 05032 | 280 | 11 | 1 | 23 | — | — | — | — | FWCHR106 |
| 05033 | 280 | 11 | 1 | 23 | — | — | — | — | FWCHR106 |
| 05029 | 263 | 10-3/8 | 1 | 23 | — | — | — | — | — |
| KCH05 | 230 | 9-1/16 | 15/16 | 17 | MC349 | SC726 | — | — | — |
| CRK1000 | 240 | 9-1/2 | 1-1/8 | 26 | MC349 | SC726 | — | — | — |
| CRK1012 | 240 | 9-1/2 | 1-1/8 | 26 | MC349 | SC935 | — | — | — |
| KCH05 | 230 | 9-1/16 | 15/16 | 17 | MC349 | SC926 | — | — | — |
| CRK1000 | 240 | 9-1/2 | 1-1/8 | 26 | — | — | — | — | — |
| CRK1012 | 240 | 9-1/2 | 1-1/8 | 26 | MC349 | SC936 | — | — | — |
| 05085 | 230 | 9-1/16 | 15/16 | 17 | MC401 | SC592 | — | — | — |
| 05048 | 225 | 8-7/8 | 7/8 | 20 | MC565 | SC844 | — | — | — |
| 05048 | 225 | 8-7/8 | 7/8 | 20 | — | — | — | — | — |
| KDG04 | 228 | 9 | 13/16 | 17 | — | — | — | — | — |
| KDG04 | 228 | 9 | 13/16 | 17 | MC459 | SC925 | — | — | — |
| KMB03 | 230 | 9-1/16 | 15/16 | 23 | MC564 | SC854 | — | — | — |
| KMB03 | 230 | 9-1/16 | 15/16 | 23 | — | — | — | — | — |

1

| Liter | CC/IN | Cyl | Years | | Application Information |
|--|-------|-----|-------|------|--|
| | | | To | From | |
| DAEWOO | | | | | |
| <i>LANOS</i> | | | | | |
| 1.6 | 98 | L4 | 1999 | 2000 | From Chassis # E182493, Sold As Kit Only |
| <i>LEGANZA</i> | | | | | |
| 2.2 | 134 | L4 | 1999 | 2002 | Sold As Kit Only |
| <i>NUBIRA</i> | | | | | |
| 2.0 | 2000 | L4 | 1999 | 2002 | Sold As Kit Only |
| DAIHATSU | | | | | |
| <i>CHARADE</i> | | | | | |
| 1.0 | 61 | L3 | 1988 | 1992 | — |
| 1.3 | 79 | L4 | 1989 | 1992 | — |
| <i>ROCKY</i> | | | | | |
| 1.6 | 98 | L4 | 1990 | 1992 | — |
| DODGE (Performance Applications Available) | | | | | |
| <i>2000 GTX (CANADA)</i> | | | | | |
| 2.0 | 122 | L4 | 1989 | 1989 | — |
| <i>ARIES, DAYTONA, LANCER, SHADOW, SPIRIT, 400, 600</i> | | | | | |
| 2.2 | 134 | L4 | 1981 | 1989 | Non-Turbo, Sold As Kit Only |
| 2.2 | 134 | L4 | 1984 | 1989 | Turbo I |
| 2.2 | 134 | L4 | 1986 | 1989 | Intercooled, Turbo II |
| 2.2 | 134 | L4 | 1990 | 1990 | Intercooled, Turbo II |
| 2.2 | 134 | L4 | 1990 | 1990 | Non-Turbo |
| 2.2 | 134 | L4 | 1991 | 1993 | Turbo III, IV |
| 2.2 | 134 | L4 | 1991 | 1994 | Non-Turbo |
| 2.5 | 153 | L4 | 1986 | 1989 | Non-Turbo, Sold As Kit Only |
| 2.5 | 153 | L4 | 1989 | 1989 | Turbo |
| 2.5 | 153 | L4 | 1990 | 1990 | Non-Turbo |
| 2.5 | 153 | L4 | 1990 | 1990 | Turbo |
| 2.5 | 153 | L4 | 1991 | 1992 | Turbo |
| 2.5 | 153 | L4 | 1991 | 1994 | — |
| 3.0 | 183 | V6 | 1989 | 1994 | — |
| <i>ASPEN, CORONET, DART, DIPLOMAT, LANCER, MONACO, POLARA, ROYAL, ROYAL MONACO</i> | | | | | |
| 2.8 | 171 | L6 | 1961 | 1963 | 10" Disc |
| 2.8 | 171 | L6 | 1961 | 1963 | 9-1/4" Disc |
| 2.8 | 171 | L6 | 1964 | 1969 | — |
| 3.2 | 195 | L6 | 1971 | 1972 | 10" Disc |
| 3.2 | 195 | L6 | 1971 | 1972 | 9-1/4" Disc |
| 3.2 | 195 | L6 | 1973 | 1974 | — |
| 3.7 | 226 | L6 | 1960 | 1978 | 10" Disc |
| 3.7 | 226 | L6 | 1960 | 1980 | 9-1/4" Disc |
| 3.7 | 226 | L6 | 1967 | 1967 | 10" Disc |
| 3.7 | 226 | L6 | 1967 | 1967 | 9-1/4" Disc |
| 3.8 | 232 | L6 | 1949 | 1959 | 10" Disc |
| 3.9 | 238 | V8 | 1953 | 1954 | 10" Disc |
| 4.5 | 275 | V8 | 1964 | 1966 | 10-3/8" Disc |
| 4.5 | 275 | V8 | 1964 | 1969 | 10" Disc |
| 4.5 | 275 | V8 | 1966 | 1966 | — |
| 5.2 | 317 | V8 | 1961 | 1978 | 10" Disc |
| 5.2 | 317 | V8 | 1961 | 1978 | 10-3/8" Disc |
| 5.6 | 342 | V8 | 1968 | 1971 | 10-3/8" Disc |
| 5.9 | 360 | V8 | 1971 | 1971 | 10-3/8" Disc |
| 5.9 | 360 | V8 | 1974 | 1974 | — |
| 6.3 | 384 | V8 | 1963 | 1969 | 10-3/8" Disc |
| 6.3 | 384 | V8 | 1969 | 1969 | 11" Disc |
| 6.3 | 384 | V8 | 1970 | 1971 | 3 Spd |
| 6.6 | 403 | V8 | 1972 | 1974 | — |

| Kit | Disc (mm) | Disc (in) | Spline Dia | Splines | Master Cyl | Slave Cyl | Clutch Cable | Clutch Fork | New Flywheel |
|---------|-----------|-----------|------------|---------|------------|-----------|--------------|-------------|--------------|
| DWK1000 | 215 | 8-7/16 | 13/16 | 24 | MC508 | SC836 | — | — | — |
| DWK1001 | 225 | 8-7/8 | 13/16 | 24 | MC508 | SC836 | — | — | — |
| DWK1001 | 225 | 8-7/8 | 13/16 | 24 | — | SC836 | — | — | — |
| 23001 | 170 | 6-11/16 | 7/8 | 20 | — | — | — | — | — |
| 23002 | 180 | 7-1/8 | 7/8 | 20 | — | — | — | — | — |
| 23003 | 200 | 7-7/8 | 7/8 | 20 | — | — | — | — | — |
| 05051 | 210 | 8-1/4 | 7/8 | 20 | — | — | — | — | — |
| 05028A | 215 | 8-7/16 | 13/16 | 18 | — | — | — | — | — |
| 05002 | 232 | 9-1/8 | 13/16 | 18 | — | — | — | — | — |
| 05044 | 232 | 9-1/8 | 13/16 | 18 | — | — | — | — | — |
| 05067 | 232 | 9-1/8 | 13/16 | 18 | — | — | — | — | — |
| 05061 | 215 | 8-7/16 | 13/16 | 18 | — | — | — | — | — |
| 05077 | 232 | 9-1/8 | 13/16 | 17 | — | — | — | — | — |
| 05059 | 215 | 8-7/16 | 13/16 | 17 | — | — | — | — | — |
| 05028A | 215 | 8-7/16 | 13/16 | 18 | — | — | — | — | — |
| 05044 | 232 | 9-1/8 | 13/16 | 18 | — | — | — | — | — |
| 05060 | 232 | 9-1/8 | 13/16 | 18 | — | — | — | — | — |
| 05067 | 232 | 9-1/8 | 13/16 | 18 | — | — | — | — | — |
| 05057 | 232 | 9-1/8 | 15/16 | 17 | — | — | — | — | — |
| 05057 | 232 | 9-1/8 | 15/16 | 17 | — | — | — | — | — |
| 05067 | 232 | 9-1/8 | 13/16 | 18 | — | — | — | — | — |
| 05004 | 254 | 10 | 1 | 23 | — | — | — | — | — |
| 05003 | 236 | 9-1/4 | 1 | 23 | — | — | — | — | — |
| 05003 | 236 | 9-1/4 | 1 | 23 | — | — | — | — | — |
| 05004 | 254 | 10 | 1 | 23 | — | — | — | — | — |
| 05003 | 236 | 9-1/4 | 1 | 23 | — | — | — | — | — |
| 05003 | 236 | 9-1/4 | 1 | 23 | — | — | — | — | — |
| 05004 | 254 | 10 | 1 | 23 | — | — | — | — | — |
| 05003 | 236 | 9-1/4 | 1 | 23 | — | — | — | — | — |
| 05004 | 254 | 10 | 1 | 23 | — | — | — | — | — |
| 05003 | 236 | 9-1/4 | 1 | 23 | — | — | — | — | — |
| 05004 | 254 | 10 | 1 | 23 | — | — | — | — | — |
| 05004 | 254 | 10 | 1 | 23 | — | — | — | — | — |
| 05029 | 263 | 10-3/8 | 1 | 23 | — | — | — | — | — |
| 05004 | 254 | 10 | 1 | 23 | — | — | — | — | — |
| 05004 | 254 | 10 | 1 | 23 | — | — | — | — | — |
| 05035 | 254 | 10 | 1 | 23 | — | — | — | — | — |
| 05029 | 263 | 10-3/8 | 1 | 23 | — | — | — | — | — |
| 05029 | 263 | 10-3/8 | 1 | 23 | — | — | — | — | — |
| 05029 | 263 | 10-3/8 | 1 | 23 | — | — | — | — | — |
| 05033 | 280 | 11 | 1 | 23 | — | — | — | — | FWCHR106 |
| 05029 | 263 | 10-3/8 | 1 | 23 | — | — | — | — | — |
| 05016 | 280 | 11 | 1 | 23 | — | — | — | — | FWCHR106 |
| 05033 | 280 | 11 | 1 | 23 | — | — | — | — | FWCHR106 |
| 05033 | 280 | 11 | 1 | 23 | — | — | — | — | FWCHR106 |

1

| Liter | CC/IN | Cyl | Years | | Application Information |
|---|-------|-----|-------|------|----------------------------------|
| | | | To | From | |
| DODGE (Performance Applications Available) CONT. | | | | | |
| AVENGER | | | | | |
| 2.0 | 122 | L4 | 1995 | 1999 | Modular Clutch Includes Flywheel |
| 2.5 | 153 | V6 | 1996 | 1998 | Sold As Kit Only |
| CALIBER | | | | | |
| 1.8 | 110 | L4 | 2007 | 2009 | Sold as Kit Only |
| CHALLENGER | | | | | |
| 1.6 | 98 | L4 | 1978 | 1979 | FWD |
| 2.6 | 159 | L4 | 1978 | 1983 | — |
| 3.2 | 195 | L6 | 1970 | 1971 | 10" Disc |
| 3.2 | 195 | L6 | 1970 | 1971 | 9-1/4" Disc |
| 3.7 | 226 | L6 | 1970 | 1972 | 10" Disc |
| 3.7 | 226 | L6 | 1970 | 1972 | 9-1/4" Disc |
| 5.2 | 317 | V8 | 1970 | 1974 | 10-3/8" Disc |
| 5.6 | 342 | V8 | 1970 | 1973 | 10-3/8" Disc |
| 5.9 | 360 | V8 | 1974 | 1974 | — |
| 6.3 | 384 | V8 | 1970 | 1971 | — |
| CHARGER, OMNI | | | | | |
| 1.6 | 98 | L4 | 1983 | 1986 | FWD |
| 1.7 | 104 | L4 | 1978 | 1983 | — |
| 2.2 | 134 | L4 | 1981 | 1989 | FWD, Non-Turbo, Sold As Kit Only |
| 2.2 | 134 | L4 | 1985 | 1987 | FWD, Turbo I |
| 2.2 | 134 | L4 | 1986 | 1987 | FWD, Intercooled Turbo |
| 2.2 | 134 | L4 | 1990 | 1990 | FWD, Non-Turbo |
| 3.7 | 226 | L6 | 1968 | 1974 | 10" Disc |
| 3.7 | 226 | L6 | 1968 | 1974 | 9-1/4" Disc |
| 5.2 | 317 | V8 | 1967 | 1967 | 10" Disc |
| 5.2 | 317 | V8 | 1967 | 1974 | 10-3/8" Disc |
| 5.2 | 317 | V8 | 1968 | 1968 | 10-3/8" Disc |
| 5.6 | 342 | V8 | 1971 | 1973 | 10-3/8" Disc |
| 5.9 | 360 | V8 | 1974 | 1974 | External Balance Flywheel |
| 5.9 | 360 | V8 | 1974 | 1974 | Internal Balance Flywheel |
| 6.3 | 384 | V8 | 1967 | 1969 | 10-3/8" Disc |
| 6.3 | 384 | V8 | 1969 | 1969 | 11" Disc |
| 6.3 | 384 | V8 | 1970 | 1971 | — |
| 6.6 | 403 | V8 | 1972 | 1974 | — |
| COLT | | | | | |
| 1.4 | 85 | L4 | 1979 | 1979 | 4 Spd 7-7/8" Disc |
| 1.4 | 85 | L4 | 1979 | 1979 | Dual Range 4 Spd |
| 1.4 | 85 | L4 | 1980 | 1980 | 4 Spd Luk |
| 1.4 | 85 | L4 | 1980 | 1980 | Dual Range 4 Spd Luk |
| 1.4 | 85 | L4 | 1981 | 1984 | 4 Spd 7-7/8" Disc |
| 1.4 | 85 | L4 | 1981 | 1984 | Dual Range 4 Spd |
| 1.5 | 92 | L4 | 1985 | 1988 | 4 Spd |
| 1.5 | 92 | L4 | 1985 | 1988 | 5 Spd |
| 1.5 | 92 | L4 | 1989 | 1994 | — |
| 1.6 | 98 | L4 | 1971 | 1972 | — |
| 1.6 | 98 | L4 | 1973 | 1973 | From 10/73 |
| 1.6 | 98 | L4 | 1973 | 1973 | To 9/73 |
| 1.6 | 98 | L4 | 1974 | 1978 | — |
| 1.6 | 98 | L4 | 1979 | 1979 | Sedan |
| 1.6 | 98 | L4 | 1979 | 1981 | Sedan, 7-1/4" disc |
| 1.6 | 98 | L4 | 1979 | 1981 | Wagon |
| 1.6 | 98 | L4 | 1982 | 1983 | — |
| 1.6 | 98 | L4 | 1984 | 1984 | Turbo |
| 1.6 | 98 | L4 | 1985 | 1985 | Turbo 3 Speed and 5 Speed |
| 1.6 | 98 | L4 | 1986 | 1988 | Turbo 3 Speed and 5 Speed |



| Kit | Disc (mm) | Disc (in) | Spline Dia | Splines | Master Cyl | Slave Cyl | Clutch Cable | Clutch Fork | New Flywheel |
|---------|-----------|-----------|------------|---------|------------|-----------|--------------|-------------|--------------|
| 05085 | 230 | 9-1/16 | 15/16 | 17 | MC401 | SC592 | — | — | — |
| 05028A | 215 | 8-7/16 | 13/16 | 18 | — | — | — | — | — |
| CRK1017 | 230 | 9-1/16 | 15/16 | 17 | — | — | — | — | — |
| 05020 | 200 | 7-7/8 | 7/8 | 20 | — | — | — | — | — |
| 05041 | 225 | 8-7/8 | 1-1/32 | 23 | — | — | — | — | — |
| 05004 | 254 | 10 | 1 | 23 | — | — | — | — | — |
| 05003 | 236 | 9-1/4 | 1 | 23 | — | — | — | — | — |
| 05004 | 254 | 10 | 1 | 23 | — | — | — | — | — |
| 05003 | 236 | 9-1/4 | 1 | 23 | — | — | — | — | — |
| 05029 | 263 | 10-3/8 | 1 | 23 | — | — | — | — | — |
| 05029 | 263 | 10-3/8 | 1 | 23 | — | — | — | — | — |
| 05033 | 280 | 11 | 1 | 23 | — | — | — | — | — |
| 05033 | 280 | 11 | 1 | 23 | — | — | — | — | — |
| 05009 | 200 | 7-7/8 | 13/16 | 18 | — | — | — | — | — |
| 05009 | 200 | 7-7/8 | 13/16 | 18 | — | — | — | — | — |
| 05028A | 215 | 8-7/16 | 13/16 | 18 | — | — | — | — | — |
| 05002 | 232 | 9-1/8 | 13/16 | 18 | — | — | — | — | — |
| 05044 | 232 | 9-1/8 | 13/16 | 18 | — | — | — | — | — |
| 05061 | 215 | 8-7/16 | 13/16 | 18 | — | — | — | — | — |
| 05004 | 254 | 10 | 1 | 23 | — | — | — | — | — |
| 05003 | 236 | 9-1/4 | 1 | 23 | — | — | — | — | — |
| 05035 | 254 | 10 | 1 | 23 | — | — | — | — | — |
| 05029 | 263 | 10-3/8 | 1 | 23 | — | — | — | — | — |
| 05029 | 263 | 10-3/8 | 1 | 23 | — | — | — | — | — |
| 05029 | 263 | 10-3/8 | 1 | 23 | — | — | — | — | — |
| 05033 | 280 | 11 | 1 | 23 | — | — | — | — | FWCHR108 |
| 05033 | 280 | 11 | 1 | 23 | — | — | — | — | FWCHR106 |
| 05029 | 263 | 10-3/8 | 1 | 23 | — | — | — | — | — |
| 05032 | 280 | 11 | 1 | 23 | — | — | — | — | FWCHR106 |
| 05033 | 280 | 11 | 1 | 23 | — | — | — | — | FWCHR106 |
| 05033 | 280 | 11 | 1 | 23 | — | — | — | — | FWCHR106 |
| 05026 | 200 | 7-7/8 | 7/8 | 20 | — | — | — | — | — |
| 05023 | 184 | 7-1/4 | 7/8 | 20 | — | — | — | — | — |
| 05026 | 200 | 7-7/8 | 7/8 | 20 | — | — | — | — | — |
| 05023 | 184 | 7-1/4 | 7/8 | 20 | — | — | — | — | — |
| 05026 | 200 | 7-7/8 | 7/8 | 20 | — | — | — | — | — |
| 05023 | 184 | 7-1/4 | 7/8 | 20 | — | — | — | — | — |
| 05026 | 200 | 7-7/8 | 7/8 | 20 | — | — | — | — | — |
| 05023 | 184 | 7-1/4 | 7/8 | 20 | MC194 | SC580 | — | — | — |
| 05026 | 200 | 7-7/8 | 7/8 | 20 | MC178 | SC580 | — | — | — |
| 05040 | 200 | 7-7/8 | 7/8 | 20 | — | — | — | — | — |
| 05020 | 200 | 7-7/8 | 7/8 | 20 | — | — | — | — | — |
| 05040 | 200 | 7-7/8 | 7/8 | 20 | — | — | — | — | — |
| 05020 | 200 | 7-7/8 | 7/8 | 20 | — | — | — | — | — |
| 05023 | 184 | 7-1/4 | 7/8 | 20 | — | — | — | — | — |
| 05023 | 184 | 7-1/4 | 7/8 | 20 | — | — | — | — | — |
| 05020 | 200 | 7-7/8 | 7/8 | 20 | — | — | — | — | — |
| 05023 | 184 | 7-1/4 | 7/8 | 20 | — | — | — | — | — |
| 05022 | 200 | 7-7/8 | 7/8 | 20 | MC203 | SC580 | — | — | — |
| 05026 | 200 | 7-7/8 | 7/8 | 20 | — | — | — | — | — |
| 05026 | 200 | 7-7/8 | 7/8 | 20 | MC497 | SC584 | — | — | — |

1

| Liter | CC/IN | Cyl | Years | | Application Information |
|-------|-------|-----|-------|------|-------------------------|
| | | | To | From | |

DODGE (Performance Applications Available) CONT.

COLT CONT.

| | | | | | |
|-----|-----|----|------|------|--------------|
| 1.6 | 98 | L4 | 1989 | 1990 | 5 Spd |
| 1.6 | 98 | L4 | 1989 | 1990 | Turbo, 5 Spd |
| 1.8 | 110 | L4 | 1989 | 1990 | — |
| 1.8 | 110 | L4 | 1992 | 1992 | — |
| 1.8 | 110 | L4 | 1993 | 1994 | — |
| 2.0 | 122 | L4 | 1974 | 1977 | — |
| 2.6 | 159 | L4 | 1978 | 1980 | — |

COLT VISTA

| | | | | | |
|-----|-----|----|------|------|-----------------------|
| 2.0 | 122 | L4 | 1984 | 1984 | — |
| 2.0 | 122 | L4 | 1985 | 1985 | 4WD |
| 2.0 | 122 | L4 | 1985 | 1985 | FWD with 7-7/8" Disc |
| 2.0 | 122 | L4 | 1986 | 1987 | 2 WD with 7-7/8" Disc |
| 2.0 | 122 | L4 | 1986 | 1991 | 4 WD |
| 2.0 | 122 | L4 | 1987 | 1991 | 2 WD with 8-1/4" Disc |

COLT VISTA (CANADA)

| | | | | | |
|-----|-----|----|------|------|------------------------|
| 2.4 | 146 | L4 | 1993 | 1994 | 4 WD, Sold As Kit Only |
|-----|-----|----|------|------|------------------------|

NEON

| | | | | | |
|-----|-----|----|------|------|---|
| 2.0 | 122 | L4 | 1995 | 1999 | 11th Digit Vin is T |
| 2.0 | 122 | L4 | 1996 | 2000 | 11th Digit Vin is D, Modular Clutch includes Flywheel |
| 2.0 | 122 | L4 | 2001 | 2005 | 11th Digit Vin is D, Modular Clutch includes Flywheel |
| 2.4 | 146 | L4 | 2003 | 2005 | Turbo, Sold As Kit Only, Modular design incl. F/W |

STEALTH

| | | | | | |
|-----|-----|----|------|------|-----------------------------|
| 3.0 | 183 | V6 | 1991 | 1996 | Non-Turbo, Sold As Kit Only |
| 3.0 | 183 | V6 | 1991 | 1996 | Turbo, Sold As Kit Only |

STRATUS

| | | | | | |
|-----|-----|----|------|------|--|
| 2.0 | 122 | L4 | 1995 | 2000 | Modular Clutch Includes Flywheel |
| 2.4 | 146 | L4 | 1997 | 1998 | Modular Clutch Includes Flywheel |
| 2.4 | 146 | L4 | 2001 | 2002 | 5 Spd with 16 Valve, Sold As Kit Only |
| 2.4 | 146 | L4 | 2003 | 2005 | 5 Spd with 16 Valve, Sold As Kit Only |
| 2.7 | 165 | V6 | 2001 | 2004 | Modular Clutch Includes Flywheel, Sold As Kit Only |
| 3.0 | 183 | V6 | 2001 | 2005 | Silent Design Disc, Pot F/W, Sold As Kit Only, Fits R/T version 2001-03, Pull Type |

VIPER

| | | | | | |
|-----|-----|-----|------|------|---|
| 8.0 | 488 | V10 | 1992 | 2002 | — |
| 8.3 | 506 | V10 | 2003 | 2006 | — |

DODGE LIGHT TRUCK, SUV & VAN

100-350, 1500-2500 VAN

| | | | | | |
|-----|-----|----|------|------|----------------------------|
| 2.8 | 171 | L6 | 1964 | 1969 | — |
| 3.2 | 195 | L6 | 1970 | 1971 | 10" Disc |
| 3.2 | 195 | L6 | 1970 | 1971 | 9-1/4" Disc |
| 3.7 | 226 | L6 | 1971 | 1973 | Diaphragm Style |
| 3.7 | 226 | L6 | 1964 | 1987 | 10" Disc, Lever Style |
| 3.7 | 226 | L6 | 1971 | 1980 | 11" Disc |
| 3.9 | 238 | V6 | 1988 | 1991 | 5 Spd |
| 3.9 | 238 | V6 | 1992 | 1993 | — |
| 5.2 | 317 | V8 | 1967 | 1970 | — |
| 5.2 | 317 | V8 | 1977 | 1983 | 10-3/8" Disc |
| 5.2 | 317 | V8 | 1977 | 1987 | 11" Disc |
| 5.2 | 317 | V8 | 1984 | 1987 | 10-3/8" Disc |
| 5.2 | 317 | V8 | 1988 | 1991 | A435 Trans |
| 5.2 | 317 | V8 | 1992 | 1993 | — |
| 5.9 | 360 | V8 | 1971 | 1980 | External Balanced Flywheel |
| 5.9 | 360 | V8 | 1971 | 1980 | Internal Balanced Flywheel |
| 6.6 | 403 | V8 | 1971 | 1978 | — |
| 7.2 | 439 | V8 | 1974 | 1978 | — |

| Kit | Disc (mm) | Disc (in) | Spline Dia | Splines | Master Cyl | Slave Cyl | Clutch Cable | Clutch Fork | New Flywheel |
|---------|-----------|-----------|------------|---------|------------|-----------|--------------|-------------|--------------|
| 05051 | 210 | 8-1/4 | 7/8 | 20 | MC178 | SC581 | — | — | — |
| 05051 | 210 | 8-1/4 | 7/8 | 20 | MC178 | SC581 | — | — | — |
| 05051 | 210 | 8-1/4 | 7/8 | 20 | MC178 | SC581 | — | — | — |
| 05051 | 210 | 8-1/4 | 7/8 | 20 | — | SC581 | — | — | — |
| 05051 | 210 | 8-1/4 | 7/8 | 20 | MC178 | SC589 | — | — | — |
| 05021 | 215 | 8-1/2 | 7/8 | 20 | — | — | — | — | — |
| 05041 | 225 | 8-7/8 | 1-1/32 | 23 | — | — | — | — | — |
| 05026 | 200 | 7-7/8 | 7/8 | 20 | — | — | — | — | — |
| 05051 | 210 | 8-1/4 | 7/8 | 20 | MC175 | SC583 | — | — | — |
| 05026 | 200 | 7-7/8 | 7/8 | 20 | MC175 | SC820 | — | — | — |
| 05026 | 200 | 7-7/8 | 7/8 | 20 | MC175 | SC581 | — | — | — |
| 05051 | 210 | 8-1/4 | 7/8 | 20 | MC175 | SC820 | — | — | — |
| 05051 | 210 | 8-1/4 | 7/8 | 20 | MC175 | SC581 | — | — | — |
| 05048 | 225 | 8-7/8 | 7/8 | 20 | — | SC589 | — | — | — |
| 05076 | 230 | 9-1/16 | 15/16 | 17 | — | — | — | — | — |
| 05085 | 230 | 9-1/16 | 15/16 | 17 | — | — | — | — | — |
| 05085 | 230 | 9-1/16 | 15/16 | 17 | MC460 | SC726 | — | — | — |
| CRK1001 | 240 | 9-1/2 | 15/16 | 17 | MC464 | SC804 | — | — | — |
| 05048 | 225 | 8-7/8 | 7/8 | 20 | MC543 | SC837 | — | — | — |
| 05075 | 250 | 9-7/8 | 1 | 23 | MC544 | SC838 | — | — | — |
| 05085 | 230 | 9-1/16 | 15/16 | 17 | — | — | — | — | — |
| 05085 | 230 | 9-1/16 | 15/16 | 17 | — | — | — | — | — |
| MBK1000 | 225 | 8-7/8 | 7/8 | 20 | — | — | — | — | — |
| MBK1000 | 225 | 8-7/8 | 7/8 | 20 | MC565 | SC844 | — | — | — |
| KDG04 | 228 | 9 | 13/16 | 17 | MC459 | SC925 | — | — | — |
| KMB03 | 230 | 9-1/16 | 13/16 | 23 | MC564 | SC854 | — | — | — |
| 05088 | 311 | 12-1/4 | 1-1/8 | 26 | MC424 | SC781 | — | — | — |
| 05088 | 311 | 12-1/4 | 1-1/8 | 26 | — | SC781 | — | — | — |
| 05003 | 236 | 9-1/4 | 1 | 23 | — | — | — | — | — |
| 05004 | 254 | 10 | 1 | 23 | — | — | — | — | — |
| 05003 | 236 | 9-1/4 | 1 | 23 | — | — | — | — | — |
| 05003 | 236 | 9-1/4 | 1 | 23 | — | — | — | — | — |
| 05004 | 254 | 10 | 1 | 23 | — | — | — | — | — |
| 05016 | 280 | 11 | 1 | 23 | — | — | — | — | — |
| 05031 | 263 | 10-3/8 | 1 | 23 | MC385 | SC649 | — | — | FWCHR106 |
| 05065 | 265 | 10-1/2 | 1-1/8 | 10 | MC385 | SC751 | — | — | — |
| 05004 | 254 | 10 | 1 | 23 | — | — | — | — | — |
| 05029 | 263 | 10-3/8 | 1 | 23 | — | — | — | CF115 | — |
| 05016 | 280 | 11 | 1 | 23 | — | — | — | — | FWCHR106 |
| 05029 | 263 | 10-3/8 | 1 | 23 | MC383 | SC750 | — | CF115 | — |
| 05038 | 280 | 11 | 1 | 23 | MC386 | SC749 | — | — | FWCHR106 |
| 05063 | 280 | 11 | 1 | 19 | MC386 | SC752 | — | — | FWCHR106 |
| 05016 | 280 | 11 | 1 | 23 | — | — | — | — | FWCHR108 |
| 05016 | 280 | 11 | 1 | 23 | — | — | — | — | FWCHR106 |
| 05062 | 302 | 11-7/8 | 1 | 23 | — | — | — | — | — |
| 05062 | 302 | 11-7/8 | 1 | 23 | — | — | — | — | — |

1

| Liter | CC/IN | Cyl | Years | | Application Information |
|-------|-------|-----|-------|------|-------------------------|
| | | | To | From | |

DODGE LIGHT TRUCK, SUV & VAN CONT.

CARAVAN, MINI RAM

| | | | | | |
|-----|-----|----|------|------|----------------------------------|
| 2.2 | 134 | L4 | 1984 | 1987 | — |
| 2.5 | 153 | L4 | 1987 | 1988 | — |
| 2.5 | 153 | L4 | 1988 | 1989 | Non-Turbo |
| 2.5 | 153 | L4 | 1989 | 1989 | Turbo |
| 2.5 | 153 | L4 | 1990 | 1990 | Non-Turbo |
| 2.5 | 153 | L4 | 1990 | 1990 | Turbo |
| 2.5 | 153 | L4 | 1992 | 1992 | Non-Turbo |
| 2.5 | 153 | L4 | 1993 | 1995 | Modular Clutch Includes Flywheel |
| 2.6 | 159 | L4 | 1984 | 1987 | — |
| 3.0 | 183 | V6 | 1990 | 1994 | Modular Clutch Includes Flywheel |
| 3.3 | 201 | V6 | 1993 | 1994 | Modular Clutch Includes Flywheel |

D100-350, R1500-3500 (RAM), W100-350

| | | | | | |
|-----|-----|----|------|------|----------------------------|
| 2.8 | 171 | L6 | 1964 | 1965 | — |
| 3.2 | 195 | L6 | 1970 | 1971 | 10" Disc |
| 3.2 | 195 | L6 | 1970 | 1971 | 9-1/4" Disc |
| 3.7 | 226 | L6 | 1969 | 1983 | 10" Disc |
| 3.7 | 226 | L6 | 1969 | 1983 | 11" Disc |
| 3.7 | 226 | L6 | 1984 | 1987 | — |
| 3.7 | 226 | V6 | 2002 | 2004 | — |
| 3.7 | 226 | V6 | 2006 | 2006 | — |
| 3.9 | 238 | V6 | 1988 | 1991 | 4 Spd |
| 3.9 | 238 | V6 | 1988 | 1991 | 5 Spd |
| 3.9 | 238 | V6 | 1989 | 1991 | 4 Spd |
| 3.9 | 238 | V6 | 1989 | 1991 | 5 Spd |
| 3.9 | 238 | V6 | 1992 | 1993 | — |
| 3.9 | 238 | V6 | 1994 | 1997 | — |
| 3.9 | 238 | V6 | 1998 | 2000 | — |
| 3.9 | 238 | V6 | 2001 | 2001 | Sold as Kit Only |
| 4.7 | 287 | V8 | 2004 | 2004 | Sold as Kit Only |
| 4.7 | 287 | V8 | 2005 | 2007 | Sold as Kit Only |
| 4.7 | 287 | V8 | 2002 | 2004 | Sold as Kit Only |
| 4.7 | 287 | V8 | 2005 | 2005 | Sold as Kit Only |
| 5.2 | 317 | V8 | 1966 | 1970 | 10" Disc |
| 5.2 | 317 | V8 | 1966 | 1980 | 11" Disc |
| 5.2 | 317 | V8 | 1977 | 1980 | 10-3/8" Disc |
| 5.2 | 317 | V8 | 1981 | 1985 | 10-3/8" Disc |
| 5.2 | 317 | V8 | 1981 | 1985 | 11" Disc |
| 5.2 | 317 | V8 | 1986 | 1987 | 10-3/8" Disc |
| 5.2 | 317 | V8 | 1988 | 1991 | — |
| 5.2 | 317 | V8 | 1992 | 1993 | — |
| 5.2 | 317 | V8 | 1994 | 1997 | — |
| 5.2 | 317 | V8 | 1998 | 2000 | — |
| 5.2 | 317 | V8 | 2001 | 2001 | — |
| 5.7 | 348 | V8 | 2003 | 2008 | Sold as Kit Only |
| 5.9 | 360 | V8 | 1971 | 1980 | External Balanced Flywheel |
| 5.9 | 360 | V8 | 1971 | 1980 | Internal Balanced Flywheel |
| 5.9 | 360 | V8 | 1981 | 1985 | External Balanced Flywheel |
| 5.9 | 360 | V8 | 1981 | 1985 | Internal Balanced Flywheel |
| 5.9 | 360 | V8 | 1986 | 1987 | External Balanced Flywheel |
| 5.9 | 360 | V8 | 1986 | 1987 | Internal Balanced Flywheel |
| 5.9 | 360 | V8 | 1988 | 1991 | External Balanced Flywheel |
| 5.9 | 360 | V8 | 1988 | 1991 | Internal Balanced Flywheel |
| 5.9 | 360 | L6 | 1989 | 1991 | Turbo Diesel |
| 5.9 | 360 | L6 | 1992 | 1993 | Turbo Diesel |
| 5.9 | 360 | V8 | 1993 | 1993 | External Balanced Flywheel |

| Kit | Disc (mm) | Disc (in) | Spline Dia | Splines | Master Cyl | Slave Cyl | Clutch Cable | Clutch Fork | New Flywheel |
|---------|-----------|-----------|------------|---------|------------|-----------|--------------|-------------|--------------|
| 05002 | 232 | 9-1/8 | 13/16 | 18 | — | — | — | — | — |
| 05002 | 232 | 9-1/8 | 13/16 | 18 | — | — | — | — | — |
| 05002 | 232 | 9-1/8 | 13/16 | 18 | — | — | — | — | — |
| 05044 | 232 | 9-1/8 | 13/16 | 18 | — | — | — | — | — |
| 05060 | 232 | 9-1/8 | 13/16 | 18 | — | — | — | — | — |
| 05067 | 232 | 9-1/8 | 13/16 | 18 | — | — | — | — | — |
| 05057 | 232 | 9-1/8 | 15/16 | 17 | — | — | — | — | — |
| 05069 | 228 | 9 | 15/16 | 17 | — | — | — | — | — |
| 05041 | 225 | 8-7/8 | 1-1/32 | 23 | — | — | — | — | — |
| 05069 | 228 | 9 | 15/16 | 17 | — | — | — | — | — |
| 05069 | 228 | 9 | 15/16 | 17 | — | — | — | — | — |
| 05003 | 236 | 9-1/4 | 1 | 23 | — | — | — | — | — |
| 05004 | 254 | 10 | 1 | 23 | — | — | — | — | — |
| 05003 | 236 | 9-1/4 | 1 | 23 | — | — | — | — | — |
| 05004 | 254 | 10 | 1 | 23 | — | — | — | — | — |
| 05016 | 280 | 11 | 1 | 23 | — | — | — | — | — |
| 05004 | 254 | 10 | 1 | 23 | — | — | — | — | — |
| KDG01 | 302 | 11-7/8 | 1-1/8 | 10 | MC457 | SC800 | — | — | — |
| KDG01 | 302 | 11-7/8 | 1-1/8 | 10 | MC457 | SC791 | — | — | — |
| 05038 | 280 | 11 | 1 | 23 | MC386 | SC749 | — | — | FWCHR106 |
| 05031 | 263 | 10-3/8 | 1 | 23 | MC386 | SC749 | — | — | — |
| 05038 | 280 | 11 | 1 | 23 | MC386 | — | — | — | FWCHR106 |
| 05031 | 263 | 10-3/8 | 1 | 23 | MC386 | — | — | — | — |
| 05065 | 265 | 10-1/2 | 1-1/8 | 10 | MC386 | SC752 | — | — | — |
| 05080 | 302 | 11-7/8 | 1-1/8 | 10 | MC391 | SC752 | — | — | — |
| 05080 | 302 | 11-7/8 | 1-1/8 | 10 | MC395 | SC757 | — | — | — |
| KDG01 | 302 | 11-7/8 | 1-1/8 | 10 | MC395 | SC757 | — | — | — |
| KDG01 | 302 | 11-7/8 | 1-1/8 | 10 | MC457 | SC800 | — | — | — |
| KDG01 | 302 | 11-7/8 | 1-1/8 | 10 | MC457 | SC791 | — | — | — |
| KDG01 | 302 | 11-7/8 | 1-1/8 | 10 | MC457 | SC800 | — | — | — |
| KDG01 | 302 | 11-7/8 | 1-1/8 | 10 | MC457 | SC791 | — | — | — |
| 05004 | 254 | 10 | 1 | 23 | — | — | — | — | — |
| 05016 | 280 | 11 | 1 | 23 | — | — | — | — | — |
| 05029 | 263 | 10-3/8 | 1 | 23 | — | — | — | — | — |
| 05029 | 263 | 10-3/8 | 1 | 23 | — | — | — | CF115 | — |
| 05016 | 280 | 11 | 1 | 23 | — | — | — | CF115 | — |
| 05029 | 263 | 10-3/8 | 1 | 23 | MC382 | SC750 | — | CF115 | — |
| 05038 | 280 | 11 | 1 | 23 | MC386 | SC749 | — | — | FWCHR106 |
| 05063 | 280 | 11 | 1 | 19 | MC386 | SC752 | — | — | FWCHR106 |
| 05074 | 302 | 11-7/8 | 1-1/8 | 10 | MC391 | SC752 | — | — | — |
| 05074 | 302 | 11-7/8 | 1-1/8 | 10 | MC395 | SC757 | — | — | — |
| KDG01 | 302 | 11-7/8 | 1-1/8 | 10 | MC395 | SC757 | — | — | — |
| CRK1008 | 290 | 11-7/16 | 1-1/8 | 10 | MC457 | SC791 | — | — | — |
| 05016 | 280 | 11 | 1 | 23 | — | — | — | — | FWCHR108 |
| 05016 | 280 | 11 | 1 | 23 | — | — | — | — | FWCHR106 |
| 05016 | 280 | 11 | 1 | 23 | MC382 | SC750 | — | CF115 | FWCHR108 |
| 05016 | 280 | 11 | 1 | 23 | MC382 | SC750 | — | CF115 | FWCHR106 |
| 05016 | 280 | 11 | 1 | 23 | MC386 | SC749 | — | CF115 | FWCHR108 |
| 05016 | 280 | 11 | 1 | 23 | MC386 | SC749 | — | CF115 | FWCHR106 |
| 05038 | 280 | 11 | 1 | 23 | MC386 | SC752 | — | — | FWCHR108 |
| 05038 | 280 | 11 | 1 | 23 | MC386 | SC752 | — | — | FWCHR106 |
| 05053 | 330 | 13 | 1-1/4 | 10 | MC383 | SC750 | — | — | — |
| 05053 | 330 | 13 | 1-1/4 | 10 | MC387 | SC753 | — | — | — |
| 05063 | 280 | 11 | 1 | 19 | MC386 | SC752 | — | — | FWCHR108 |

1

| Liter | CC/IN | Cyl | Years | | Application Information |
|-------|-------|-----|-------|------|-------------------------|
| | | | To | From | |

DODGE LIGHT TRUCK, SUV & VAN CONT.

D100-350, R1500-3500 (RAM), W100-350 CONT.

| | | | | | |
|-----|-----|-----|------|------|--|
| 5.9 | 360 | V8 | 1993 | 1993 | Internal Balanced Flywheel |
| 5.9 | 360 | L6 | 1994 | 1997 | Turbo Diesel |
| 5.9 | 360 | V8 | 1994 | 1997 | Replaces OE 11" System |
| 5.9 | 360 | L6 | 1998 | 2000 | Turbo Diesel |
| 5.9 | 360 | V8 | 1998 | 2000 | Replaces OE 11" System |
| 5.9 | 360 | V8 | 2001 | 2001 | Replaces OE 11" System |
| 5.9 | 360 | L6 | 2001 | 2003 | Turbo Diesel, 5 Spd |
| 5.9 | 360 | L6 | 2001 | 2004 | Turbo Diesel, 6 Spd, Economy version, contains Exedy parts |
| 5.9 | 360 | L6 | 2001 | 2004 | Turbo Diesel, 6 Spd, HD Version contains Cushion Button disc suited for 680 ft. lbs./Torque at the wheel |
| 5.9 | 360 | L6 | 2001 | 2004 | Turbo Diesel, 6 Spd |
| 5.9 | 360 | L6 | 2001 | 2004 | Turbo Diesel, 6 Spd |
| 5.9 | 360 | V8 | 2002 | 2002 | Replaces OE 11" System |
| 5.9 | 360 | L6 | 2002 | 2003 | Turbo Diesel 5 Speed |
| 5.9 | 360 | L6 | 2005 | 2009 | 6 Spd Turbo Diesel, Mercedes Trans, Includes Master and Slave Cylinder Hydraulic system, Sold as Kit Only |
| 5.9 | 360 | L6 | 2005 | 2009 | 6 Spd Turbo Diesel, Solid FW replacement for OEM Dual Mass FW, Includes Master and Slave Cylinder Hydraulic system, Includes Solid FW, Sold as kit only, HD Version contains Cushion Button disc suited for 680 ft. lbs./Torque at the wheel |
| 5.9 | 360 | L6 | 2005 | 2009 | 6 Spd Turbo Diesel, Includes Master and Slave Cylinder Hydraulic system, Sold as Kit Only |
| 5.9 | 360 | L6 | 2005 | 2009 | 6 Spd Turbo Diesel, Solid FW replacement for OEM Dual Mass FW, Includes Master and Slave Cylinder Hydraulic system, Includes Solid FW, Sold as kit only, HD Version contains Cushion Button disc suited for 680 ft. lbs./Torque at the wheel |
| 6.3 | 384 | V8 | 1969 | 1971 | — |
| 6.6 | 403 | V8 | 1971 | 1978 | — |
| 6.7 | 409 | L6 | 2007 | 2010 | 6 Spd Turbo Diesel, Sold as Kit Only |
| 6.7 | 409 | L6 | 2007 | 2010 | 6 Spd Turbo Diesel, Solid FW replacement for OEM Dual Mass FW, Includes Master and Slave Cylinder Hydraulic system, Includes Solid FW, Sold as kit only, HD Version contains Cushion Button disc suited for 680 ft. lbs./Torque at the wheel |
| 7.2 | 439 | V8 | 1973 | 1978 | — |
| 8.0 | 488 | V10 | 1994 | 1997 | — |
| 8.0 | 488 | V10 | 1998 | 2003 | — |
| 8.3 | 506 | V10 | 2004 | 2006 | SRT-10 |

D50, RAM 50, POWER RAM 50

| | | | | | |
|-----|-----|----|------|------|--------------------------|
| 2.0 | 122 | L4 | 1979 | 1980 | — |
| 2.0 | 122 | L4 | 1981 | 1983 | — |
| 2.0 | 122 | L4 | 1984 | 1986 | — |
| 2.0 | 122 | L4 | 1987 | 1989 | — |
| 2.3 | 140 | L4 | 1983 | 1983 | Turbo Diesel |
| 2.3 | 140 | L4 | 1983 | 1983 | Turbo Diesel, From 10/83 |
| 2.3 | 140 | L4 | 1983 | 1983 | Turbo Diesel, To 9/83 |
| 2.3 | 140 | L4 | 1984 | 1985 | Turbo Diesel |
| 2.4 | 146 | L4 | 1990 | 1993 | — |
| 2.6 | 159 | L4 | 1979 | 1981 | — |
| 2.6 | 159 | L4 | 1982 | 1983 | — |
| 2.6 | 159 | L4 | 1984 | 1986 | — |
| 2.6 | 159 | L4 | 1987 | 1989 | — |
| 3.0 | 183 | V6 | 1990 | 1991 | — |

DAKOTA

| | | | | | |
|-----|-----|----|------|------|------------------|
| 2.2 | 134 | L4 | 1987 | 1987 | — |
| 2.2 | 134 | L4 | 1988 | 1988 | — |
| 2.5 | 153 | L4 | 1989 | 1991 | — |
| 2.5 | 153 | L4 | 1992 | 1992 | — |
| 2.5 | 153 | L4 | 1993 | 1994 | — |
| 2.5 | 153 | L4 | 1995 | 1996 | — |
| 2.5 | 153 | L4 | 1997 | 1998 | — |
| 2.5 | 153 | L4 | 1999 | 2002 | — |
| 3.7 | 226 | V6 | 2004 | 2004 | Sold as Kit Only |
| 3.7 | 226 | V6 | 2005 | 2007 | Sold as Kit Only |
| 3.9 | 238 | V6 | 1987 | 1991 | — |
| 3.9 | 238 | V6 | 1992 | 1994 | — |

| Kit | Disc (mm) | Disc (in) | Spline Dia | Splines | Master Cyl | Slave Cyl | Clutch Cable | Clutch Fork | New Flywheel |
|-------------|-----------|-----------|------------|---------|------------|-----------|--------------|-------------|--------------|
| 05063 | 280 | 11 | 1 | 19 | MC386 | SC752 | — | — | FWCHR106 |
| 05073 | 311 | 12-1/4 | 1-1/4 | 10 | MC391 | SC755 | — | — | — |
| 05074 | 302 | 11-7/8 | 1-1/8 | 10 | MC391 | SC752 | — | — | — |
| 05092 | 311 | 12-1/4 | 1-1/4 | 10 | MC395 | SC757 | — | — | — |
| 05074 | 302 | 11-7/8 | 1-1/8 | 10 | MC395 | SC757 | — | — | — |
| 05074 | 302 | 11-7/8 | 1-1/8 | 10 | MC395 | SC791 | — | — | — |
| 05092 | 311 | 12-1/4 | 1-1/4 | 10 | MC395 | SC757 | — | — | — |
| CRK1004 | 330 | 13 | 1-3/8 | 10 | MC395 | SC757 | — | — | LFW147 |
| CRK1004HD | 330 | 13 | 1-3/8 | 10 | MC395 | SC757 | — | — | LFW147 |
| 05101 | 330 | 13 | 1-3/8 | 10 | MC395 | SC757 | — | — | LFW147 |
| 05101A | 330 | 13 | 1-3/8 | 10 | MC395 | SC757 | — | — | LFW147 |
| 05074 | 302 | 11-7/8 | 1-1/8 | 10 | MC457 | SC800 | — | — | — |
| 05092 | 311 | 12-1/4 | 1-1/4 | 10 | MC395 | SC757 | — | — | — |
| CRK1005FW | 315 | 12-9/16 | 1-3/8 | 10 | MC457 | SC791 | — | — | — |
| CRK1005FWHD | 315 | 12-9/16 | 1-3/8 | 10 | MC457 | SC791 | — | — | — |
| CRK1005FW | 315 | 12-9/16 | 1-3/8 | 10 | MC595 | SC934 | — | — | — |
| CRK1005FWHD | 315 | 12-9/16 | 1-3/8 | 10 | MC595 | SC934 | — | — | — |
| 05062 | 302 | 11-7/8 | 1 | 23 | — | — | — | — | — |
| 05062 | 302 | 11-7/8 | 1 | 23 | — | — | — | — | — |
| CRK1005FW | 315 | 12-9/16 | 1-3/8 | 10 | — | — | — | — | — |
| CRK1005FWHD | 315 | 12-9/16 | 1-3/8 | 10 | — | — | — | — | — |
| 05062 | 302 | 11-7/8 | 1 | 23 | — | — | — | — | — |
| 05073 | 311 | 12-1/4 | 1-1/4 | 10 | MC391 | SC755 | — | — | — |
| 05092 | 311 | 12-1/4 | 1-1/4 | 10 | MC395 | SC757 | — | — | — |
| 05088 | 311 | 12-1/4 | 1-1/8 | 26 | MC465 | SC807 | — | — | — |
| 05012 | 215 | 8-7/16 | 7/8 | 20 | — | — | CC216 | — | — |
| 05011 | 215 | 8-7/16 | 7/8 | 23 | — | — | CC216 | — | — |
| 05011 | 215 | 8-7/16 | 7/8 | 23 | — | — | CC216 | — | — |
| 05011 | 215 | 8-7/16 | 7/8 | 23 | — | — | — | — | — |
| 05025 | 225 | 8-7/8 | 1-1/32 | 23 | MC194 | SC579 | — | — | — |
| 05025 | 225 | 8-7/8 | 1-1/32 | 23 | MC176 | SC579 | — | — | — |
| 05025 | 225 | 8-7/8 | 1-1/32 | 23 | MC194 | SC579 | — | — | — |
| 05025 | 225 | 8-7/8 | 1-1/32 | 23 | MC176 | SC579 | — | — | — |
| 05041 | 225 | 8-7/8 | 1-1/32 | 23 | — | — | — | — | — |
| 05052 | 225 | 8-7/8 | 1-1/32 | 23 | MC203 | SC579 | — | — | — |
| 05025 | 225 | 8-7/8 | 1-1/32 | 23 | — | — | CC216 | — | — |
| 05041 | 225 | 8-7/8 | 1-1/32 | 23 | — | — | CC216 | — | — |
| 05041 | 225 | 8-7/8 | 1-1/32 | 23 | — | — | — | — | — |
| 05050 | 240 | 9-1/2 | 1-1/8 | 14 | MC176 | SC585 | — | — | — |
| 05037 | 232 | 9-1/8 | 1 | 23 | — | — | — | — | — |
| 05037 | 232 | 9-1/8 | 1 | 23 | MC384 | SC749 | — | — | — |
| 05037 | 232 | 9-1/8 | 1 | 23 | MC384 | SC749 | — | — | — |
| 05066 | 232 | 9-1/8 | 1 | 19 | MC384 | SC751 | — | — | — |
| 05070 | 232 | 9-1/8 | 1-1/8 | 10 | MC384 | SC751 | — | — | — |
| 05070 | 232 | 9-1/8 | 1-1/8 | 10 | MC393 | SC751 | — | — | — |
| 05089 | 232 | 9-1/8 | 1-1/8 | 14 | MC394 | SC756 | — | — | — |
| 05104 | 232 | 9-1/8 | 1-1/8 | 19 | MC394 | SC756 | — | — | — |
| CRK1010 | 302 | 11-7/8 | 1-1/8 | 10 | MC602 | SC756 | — | — | — |
| CRK1010 | 302 | 11-7/8 | 1-1/8 | 10 | MC602 | SC754 | — | — | — |
| 05031 | 263 | 10-3/8 | 1 | 23 | MC384 | SC749 | — | — | — |
| 05065 | 265 | 10-1/2 | 1-1/8 | 10 | MC384 | SC751 | — | — | — |

1

| Liter | CC/IN | Cyl | Years | | Application Information |
|-------|-------|-----|-------|------|-------------------------|
| | | | To | From | |

DODGE LIGHT TRUCK, SUV & VAN CONT.

DAKOTA CONT.

| | | | | | |
|-----|-----|----|------|------|------------------|
| 3.9 | 238 | V6 | 1995 | 1996 | — |
| 3.9 | 238 | V6 | 1997 | 1999 | — |
| 3.9 | 238 | V6 | 2000 | 2000 | — |
| 3.9 | 238 | V6 | 2001 | 2003 | Sold as Kit Only |
| 4.7 | 287 | V8 | 2001 | 2006 | Sold as Kit Only |
| 4.7 | 287 | V8 | 2007 | 2007 | Sold as Kit Only |
| 5.2 | 317 | V8 | 1994 | 1994 | — |
| 5.2 | 317 | V8 | 1995 | 1996 | — |
| 5.2 | 317 | V8 | 1997 | 1999 | — |
| 5.9 | 360 | V8 | 2000 | 2000 | — |

NITRO

| | | | | | |
|-----|-----|----|------|------|------------------|
| 3.7 | 226 | V6 | 2007 | 2007 | Sold as Kit Only |
|-----|-----|----|------|------|------------------|

RAIDER

| | | | | | |
|-----|-----|----|------|------|---|
| 2.6 | 159 | L4 | 1987 | 1989 | — |
| 3.0 | 183 | V6 | 1989 | 1989 | — |

EAGLE

2000GTX (CANADA)

| | | | | | |
|-----|-----|----|------|------|------|
| 2.0 | 122 | L4 | 1991 | 1991 | — |
| 2.0 | 122 | L4 | 1992 | 1992 | 2 WD |
| 2.0 | 122 | L4 | 1992 | 1992 | 4 WD |
| 2.0 | 122 | L4 | 1993 | 1993 | 2 WD |
| 2.0 | 122 | L4 | 1993 | 1993 | 4 WD |

SUMMIT

| | | | | | |
|-----|-----|----|------|------|------------------------------|
| 1.5 | 92 | L4 | 1989 | 1991 | 7-1/4" Disc |
| 1.5 | 92 | L4 | 1989 | 1994 | — |
| 1.5 | 92 | L4 | 1991 | 1992 | CANADA |
| 1.5 | 92 | L4 | 1996 | 1996 | — |
| 1.6 | 98 | L4 | 1989 | 1990 | — |
| 1.8 | 110 | L4 | 1992 | 1993 | AWD & Wagon |
| 1.8 | 110 | L4 | 1992 | 1993 | Wagon |
| 1.8 | 110 | L4 | 1992 | 1994 | Except AWD & Wagon |
| 1.8 | 110 | L4 | 1992 | 1994 | FWD |
| 1.8 | 110 | L4 | 1993 | 1994 | FWD; Coupe |
| 1.8 | 110 | L4 | 1996 | 1996 | Except AWD & Wagon |
| 1.8 | 110 | L4 | 1996 | 1996 | FWD |
| 2.4 | 146 | L4 | 1992 | 1992 | Except AWD, Sold As Kit Only |
| 2.4 | 146 | L4 | 1992 | 1994 | AWD, Sold As Kit Only |
| 2.4 | 146 | L4 | 1992 | 1994 | FWD, Sold as Kit Only |
| 2.4 | 146 | L4 | 1996 | 1996 | AWD, Sold As Kit Only |
| 2.4 | 146 | L4 | 1996 | 1996 | FWD, Sold as Kit Only |

TALON

| | | | | | |
|-----|-----|----|------|------|--|
| 1.8 | 110 | L4 | 1993 | 1994 | — |
| 2.0 | 122 | L4 | 1990 | 1991 | Non-Turbo, without Speed Control |
| 2.0 | 122 | L4 | 1990 | 1991 | Turbo, With Speed Control, Sold As Kit Only |
| 2.0 | 122 | L4 | 1990 | 1991 | Turbo, Without Speed Control, Sold As Kit Only |
| 2.0 | 122 | L4 | 1992 | 1994 | Non-Turbo, with Speed Control |
| 2.0 | 122 | L4 | 1992 | 1994 | Turbo, Sold As Kit Only |
| 2.0 | 122 | L4 | 1995 | 1998 | Non-Turbo, Modular Clutch Includes Flywheel |
| 2.0 | 122 | L4 | 1995 | 1998 | Turbo, Sold As Kit Only |

VISTA (CANADA)

| | | | | | |
|-----|----|----|------|------|---|
| 1.5 | 92 | L4 | 1990 | 1991 | — |
|-----|----|----|------|------|---|

FIAT

BRAVA, 131

| | | | | | |
|-----|-----|----|------|------|------------------|
| 1.8 | 110 | L4 | 1975 | 1978 | Sold As Kit Only |
| 2.0 | 122 | L4 | 1979 | 1981 | Sold As Kit Only |

| Kit | Disc (mm) | Disc (in) | Spline Dia | Splines | Master Cyl | Slave Cyl | Clutch Cable | Clutch Fork | New Flywheel |
|---------|-----------|-----------|------------|---------|------------|-----------|--------------|-------------|--------------|
| 05065 | 265 | 10-1/2 | 1-1/8 | 10 | MC393 | SC751 | — | — | — |
| 05065 | 265 | 10-1/2 | 1-1/8 | 10 | MC394 | SC756 | — | — | — |
| KDG02 | 265 | 10-1/2 | 1-1/8 | 10 | MC449 | SC756 | — | — | — |
| CRK1010 | 302 | 11-7/8 | 1-1/8 | 10 | MC394 | SC756 | — | — | — |
| CRK1010 | 302 | 11-7/8 | 1-1/8 | 10 | MC394 | SC756 | — | — | — |
| CRK1010 | 302 | 11-7/8 | 1-1/8 | 10 | MC602 | SC754 | — | — | — |
| 05072 | 302 | 11-7/8 | 1-1/8 | 10 | MC384 | SC751 | — | — | — |
| 05072 | 302 | 11-7/8 | 1-1/8 | 10 | MC393 | SC751 | — | — | — |
| 05072 | 302 | 11-7/8 | 1-1/8 | 10 | MC394 | SC756 | — | — | — |
| 05072 | 302 | 11-7/8 | 1-1/8 | 10 | MC394 | SC756 | — | — | — |
| CRK1006 | 265 | 10-7/16 | 1-1/8 | 10 | — | — | — | — | — |
| 05052 | 225 | 8-7/8 | 1-1/32 | 23 | MC497 | SC579 | — | — | — |
| 05050 | 240 | 9-1/2 | 1-1/8 | 14 | MC497 | SC585 | — | — | — |
| 05051 | 210 | 8-1/4 | 7/8 | 20 | — | — | — | — | — |
| 05071 | 225 | 8-7/8 | 7/8 | 20 | MC179 | SC581 | — | — | — |
| 05071 | 225 | 8-7/8 | 7/8 | 20 | MC179 | SC584 | — | — | — |
| 05071 | 225 | 8-7/8 | 7/8 | 20 | MC179 | SC581 | — | — | — |
| 05071 | 225 | 8-7/8 | 7/8 | 20 | MC179 | SC584 | — | — | — |
| 05008 | 184 | 7-1/4 | 7/8 | 20 | MC178 | SC584 | — | — | — |
| 05026 | 200 | 7-7/8 | 7/8 | 20 | MC178 | SC580 | — | — | — |
| 05008 | 184 | 7-1/4 | 7/8 | 20 | MC178 | SC584 | — | — | — |
| 05026 | 200 | 7-7/8 | 7/8 | 20 | MC178 | SC589 | — | — | — |
| 05026 | 200 | 7-7/8 | 7/8 | 20 | MC178 | SC581 | — | — | — |
| 05051 | 210 | 8-1/4 | 7/8 | 20 | MC183 | SC915 | — | — | — |
| 05051 | 210 | 8-1/4 | 7/8 | 20 | MC178 | SC589 | — | — | — |
| 05051 | 210 | 8-1/4 | 7/8 | 20 | MC178 | SC589 | — | — | — |
| 05051 | 210 | 8-1/4 | 7/8 | 20 | MC183 | SC589 | — | — | — |
| 05051 | 210 | 8-1/4 | 7/8 | 20 | MC183 | SC589 | — | — | — |
| 05051 | 210 | 8-1/4 | 7/8 | 20 | MC178 | SC589 | — | — | — |
| 05051 | 210 | 8-1/4 | 7/8 | 20 | MC183 | SC589 | — | — | — |
| 05048 | 225 | 8-7/8 | 7/8 | 20 | MC183 | SC589 | — | — | — |
| 05048 | 225 | 8-7/8 | 7/8 | 20 | MC183 | SC584 | — | — | — |
| 05048 | 225 | 8-7/8 | 7/8 | 20 | MC183 | SC584 | — | — | — |
| 05048 | 225 | 8-7/8 | 7/8 | 20 | MC183 | SC584 | — | — | — |
| 05048 | 225 | 8-7/8 | 7/8 | 20 | MC183 | SC584 | — | — | — |
| 05026 | 200 | 7-7/8 | 7/8 | 20 | MC180 | SC581 | — | — | — |
| 05051 | 210 | 8-1/4 | 7/8 | 20 | MC179 | SC581 | — | — | — |
| 05048 | 225 | 8-7/8 | 7/8 | 20 | MC180 | SC586 | — | — | — |
| 05048 | 225 | 8-7/8 | 7/8 | 20 | MC179 | SC586 | — | — | — |
| 05051 | 210 | 8-1/4 | 7/8 | 20 | MC180 | SC581 | — | — | — |
| 05048 | 225 | 8-7/8 | 7/8 | 20 | MC179 | SC586 | — | — | — |
| 05085 | 230 | 9-1/16 | 15/16 | 17 | MC188 | SC761 | — | — | — |
| 05048 | 225 | 8-7/8 | 7/8 | 20 | MC188 | SC589 | — | — | — |
| 05026 | 200 | 7-7/8 | 7/8 | 20 | — | SC589 | — | — | — |
| KFI01 | 215 | 8-1/2 | 7/8 | 20 | — | — | — | — | — |
| KFI01 | 215 | 8-1/2 | 7/8 | 20 | — | — | — | — | — |

1

| Liter | CC/IN | Cyl | Years | | Application Information |
|--|-------|-----|-------|------|---|
| | | | To | From | |
| FIAT CONT. | | | | | |
| SPIDER, 124 | | | | | |
| 1.6 | 98 | L4 | 1971 | 1973 | Sold As Kit Only |
| 1.6 | 98 | L4 | 1974 | 1974 | Sold As Kit Only |
| 1.8 | 110 | L4 | 1974 | 1978 | Sold As Kit Only |
| 2.0 | 122 | L4 | 1979 | 1981 | Sold As Kit Only |
| STRADA, X19 | | | | | |
| 1.5 | 92 | L4 | 1979 | 1983 | Sold As Kit Only |
| FORD (Performance Applications Available) | | | | | |
| ASPIRE | | | | | |
| 1.3 | 79 | L4 | 1994 | 1997 | — |
| CONTOUR | | | | | |
| 2.0 | 122 | L4 | 1995 | 2000 | Includes Slave Cylinder |
| 2.5 | 153 | V6 | 1995 | 2000 | Includes Slave Cylinder |
| 2.5 | 153 | V6 | 1995 | 2000 | Kit does not include Slave Cylinder |
| CUSTOM | | | | | |
| 3.7 | 226 | L6 | 1958 | 1964 | 10" Disc |
| 3.7 | 226 | L6 | 1958 | 1964 | 11" Lever Clutch |
| 3.7 | 226 | L6 | 1958 | 1964 | 11"Diaph Clutch |
| 3.9 | 238 | L6 | 1968 | 1972 | 10" Disc |
| 3.9 | 238 | L6 | 1968 | 1972 | 11" Lever Clutch |
| 3.9 | 238 | L6 | 1968 | 1972 | 11"Diaph Clutch |
| ESCORT, EXP, ZX2 | | | | | |
| 1.6 | 98 | L4 | 1981 | 1982 | — |
| 1.8 | 110 | L4 | 1991 | 1996 | — |
| 1.9 | 116 | L4 | 1985 | 1987 | — |
| 1.9 | 116 | L4 | 1988 | 1990 | — |
| 1.9 | 116 | L4 | 1991 | 1996 | — |
| 2.0 | 122 | L4 | 1997 | 2002 | — |
| FAIRLANE, TORINO | | | | | |
| 3.6 | 220 | V8 | 1962 | 1963 | — |
| 4.1 | 250 | L6 | 1969 | 1974 | — |
| 4.3 | 262 | V8 | 1963 | 1964 | — |
| 4.7 | 287 | V8 | 1966 | 1968 | 2 BBL |
| 5.0 | 305 | V8 | 1968 | 1974 | 10" Disc |
| 5.0 | 305 | V8 | 1968 | 1974 | 11" Disc |
| 5.8 | 354 | V8 | 1969 | 1974 | — |
| 6.4 | 391 | V8 | 1966 | 1966 | — |
| 6.4 | 391 | V8 | 1967 | 1969 | 2 BBL |
| FAIRMONT, MAVERICK | | | | | |
| 2.3 | 140 | L4 | 1978 | 1982 | — |
| 2.3 | 140 | L4 | 1983 | 1983 | — |
| 4.1 | 250 | L6 | 1974 | 1977 | — |
| 5.0 | 305 | V8 | 1973 | 1978 | — |
| 5.0 | 305 | V8 | 1979 | 1979 | — |
| FALCON | | | | | |
| 4.3 | 262 | V8 | 1963 | 1964 | — |
| 4.7 | 287 | V8 | 1966 | 1968 | — |
| 5.0 | 305 | V8 | 1968 | 1970 | 4 BBL |
| FESTIVA | | | | | |
| 1.3 | 79 | L4 | 1988 | 1993 | — |
| FIESTA | | | | | |
| 1.6 | 98 | L4 | 1978 | 1980 | — |
| FOCUS | | | | | |
| 2.0 | 122 | L4 | 2000 | 2004 | DOHC, ZTS, ZX3, Includes CSC Concentric Slave Cylinder |
| 2.0 | 122 | L4 | 2000 | 2004 | SOHC, LX, SE, Includes CSC Concentric Slave Cylinder |
| 2.0 | 122 | L4 | 2002 | 2004 | SVT,6spd, Kit includes Dual Mass FW and CSC Hydraulic Slave Cylinder |
| 2.3 | 140 | L4 | 2003 | 2007 | Duratec, Sold as kit only, Must USE FWFMF06 with kit, Includes CSC Hydraulic Slave cylinder |

| Kit | Disc (mm) | Disc (in) | Spline Dia | Splines | Master Cyl | Slave Cyl | Clutch Cable | Clutch Fork | New Flywheel |
|---------|-----------|-----------|------------|---------|------------|-----------|--------------|-------------|--------------|
| KFI01 | 215 | 8-1/2 | 7/8 | 20 | — | — | — | — | — |
| KFI01 | 215 | 8-1/2 | 7/8 | 20 | — | — | — | — | — |
| KFI01 | 215 | 8-1/2 | 7/8 | 20 | — | — | — | — | — |
| KFI01 | 215 | 8-1/2 | 7/8 | 20 | — | — | — | — | — |
| KFI01 | 215 | 8-1/2 | 7/8 | 20 | — | — | — | — | — |
| 07068 | 180 | 7-1/8 | 3/4 | 18 | — | — | — | — | — |
| 07136 | 240 | 9-1/2 | 1 | 23 | MC119 | — | — | — | — |
| 07137 | 240 | 9-1/2 | 1 | 23 | MC119 | — | — | — | FWFMC01 |
| 07137LB | 240 | 9-1/2 | 1 | 23 | MC119 | — | — | — | FWFMC01 |
| 07014 | 254 | 10 | 1-1/16 | 10 | — | SC846 | — | — | — |
| 07027L | 280 | 11 | 1-1/16 | 10 | — | SC846 | — | — | — |
| KFM10 | 280 | 11 | 1-1/16 | 10 | — | SC846 | — | — | — |
| 07014 | 254 | 10 | 1-1/16 | 10 | — | SC846 | — | — | — |
| 07027L | 280 | 11 | 1-1/16 | 10 | — | SC846 | — | — | — |
| KFM10 | 280 | 11 | 1-1/16 | 10 | — | SC846 | — | — | — |
| 07002 | 200 | 7-7/8 | 7/8 | 20 | — | — | CC314 | — | — |
| 07074 | 225 | 8-7/8 | 15/16 | 22 | MC221 | SC629 | — | — | FWFME01 |
| 07010 | 215 | 8-7/16 | 7/8 | 20 | — | — | CC314 | — | — |
| 07069 | 215 | 8-7/16 | 7/8 | 20 | — | — | CC314 | — | — |
| 07075 | 200 | 7-7/8 | 7/8 | 20 | MC221 | SC839 | — | — | — |
| 07083 | 225 | 8-7/8 | 15/16 | 22 | MC221 | SC877 | — | — | — |
| 07014 | 254 | 10 | 1-1/16 | 10 | — | SC846 | — | — | — |
| 07014 | 254 | 10 | 1-1/16 | 10 | — | SC846 | — | — | — |
| 07014 | 254 | 10 | 1-1/16 | 10 | — | SC846 | — | — | — |
| 07014 | 254 | 10 | 1-1/16 | 10 | — | SC846 | — | — | — |
| 07014 | 254 | 10 | 1-1/16 | 10 | — | SC846 | — | — | — |
| 07027 | 280 | 11 | 1-1/16 | 10 | — | SC846 | — | — | FWFM121 |
| 07027 | 280 | 11 | 1-1/16 | 10 | — | SC846 | — | — | — |
| 07027 | 280 | 11 | 1-1/16 | 10 | — | — | — | — | — |
| 07027 | 280 | 11 | 1-1/16 | 10 | — | — | — | — | FWFM113 |
| 07003 | 215 | 8-1/2 | 1-1/32 | 23 | — | — | — | — | — |
| 07003 | 215 | 8-1/2 | 1-1/32 | 23 | — | — | — | — | FWFM122 |
| 07014 | 254 | 10 | 1-1/16 | 10 | — | SC846 | — | — | — |
| 07014 | 254 | 10 | 1-1/16 | 10 | — | — | — | — | — |
| 07005 | 254 | 10 | 1-1/16 | 10 | — | — | — | — | — |
| 07014 | 254 | 10 | 1-1/16 | 10 | — | SC846 | — | — | — |
| 07014 | 254 | 10 | 1-1/16 | 10 | — | SC846 | — | — | — |
| 07014 | 254 | 10 | 1-1/16 | 10 | — | SC846 | — | — | — |
| 07068 | 180 | 7-1/8 | 3/4 | 18 | — | — | — | — | — |
| 07040 | 190 | 7-1/2 | 13/16 | 17 | — | — | — | — | — |
| KFM01 | 228 | 9 | 1 | 23 | MC304 | — | — | — | — |
| KFM02 | 219 | 8-5/8 | 13/16 | 17 | MC304 | — | — | — | FWFMF01 |
| FMK1005 | 240 | 9-7/16 | 1 | 14 | — | — | — | — | FWFMF07 |
| FMK1009 | 225 | 8-7/8 | 1-3/16 | 23 | — | — | — | — | FWFMF06 |

1

| Liter | CC/IN | Cyl | Years | | Application Information |
|-------|-------|-----|-------|------|-------------------------|
| | | | To | From | |

FORD (Performance Applications Available) CONT.

FUSION

| | | | | | |
|-----|-----|----|------|------|------------------|
| 2.3 | 140 | L4 | 2006 | 2007 | Sold As Kit Only |
| 2.3 | 140 | L4 | 2008 | 2013 | Sold As Kit Only |
| 2.5 | 152 | L4 | 2010 | 2011 | Sold As Kit Only |

GALAXIE, GALAXIE 500

| | | | | | |
|-----|-----|----|------|------|------------------|
| 3.7 | 226 | L6 | 1963 | 1964 | 10" Disc |
| 3.7 | 226 | L6 | 1963 | 1964 | 11" Lever Clutch |
| 3.7 | 226 | L6 | 1963 | 1964 | 11"Diaph Clutch |
| 3.9 | 238 | L6 | 1965 | 1972 | 10" Disc |
| 3.9 | 238 | L6 | 1965 | 1972 | 11" Lever Clutch |
| 3.9 | 238 | L6 | 1965 | 1972 | 11"Diaph Clutch |
| 4.3 | 262 | V8 | 1964 | 1964 | — |
| 4.7 | 287 | V8 | 1963 | 1967 | — |
| 4.8 | 293 | V8 | 1959 | 1962 | 10" Disc |
| 5.0 | 305 | V8 | 1968 | 1970 | 11" Lever Clutch |
| 5.0 | 305 | V8 | 1968 | 1972 | 10" Disc |
| 5.0 | 305 | V8 | 1968 | 1972 | 11" Diaph Clutch |
| 5.0 | 305 | V8 | 1971 | 1972 | 11" Lever Clutch |
| 5.8 | 354 | V8 | 1963 | 1965 | 11" Diaph Clutch |
| 5.8 | 354 | V8 | 1963 | 1965 | 11" Diaph Clutch |
| 5.8 | 354 | V8 | 1963 | 1965 | 11" Lever Clutch |
| 5.8 | 354 | V8 | 1963 | 1965 | 11" Lever Clutch |
| 5.8 | 354 | V8 | 1969 | 1969 | 11" Diaph Clutch |
| 5.8 | 354 | V8 | 1969 | 1969 | 11" Diaph Clutch |
| 5.8 | 354 | V8 | 1969 | 1969 | 11" Lever Clutch |
| 5.8 | 354 | V8 | 1969 | 1969 | 11" Lever Clutch |
| 5.8 | 354 | V8 | 1970 | 1970 | 11" Clutch |
| 5.8 | 354 | V8 | 1970 | 1970 | 11" Lever Clutch |
| 5.8 | 354 | V8 | 1971 | 1973 | 11" Diaph Clutch |
| 5.8 | 354 | V8 | 1971 | 1973 | 11" Diaph Clutch |
| 5.8 | 354 | V8 | 1971 | 1973 | 11" Lever Clutch |
| 5.8 | 354 | V8 | 1971 | 1973 | 11" Lever Clutch |
| 6.4 | 391 | V8 | 1963 | 1966 | 2 BBL |
| 6.4 | 391 | V8 | 1967 | 1970 | 2 BBL |
| 6.4 | 391 | V8 | 1971 | 1971 | — |

GRANADA, LTD II

| | | | | | |
|-----|-----|----|------|------|---|
| 2.3 | 140 | L4 | 1981 | 1983 | — |
| 4.1 | 250 | L6 | 1975 | 1980 | — |
| 4.2 | 256 | V8 | 1980 | 1980 | — |
| 5.0 | 305 | V8 | 1975 | 1979 | — |

MUSTANG, MUSTANG II

| | | | | | |
|-----|-----|----|------|------|-------------------------------|
| 2.3 | 140 | L4 | 1974 | 1974 | Non-Turbo, German 4 Spd |
| 2.3 | 140 | L4 | 1974 | 1983 | Non-Turbo, Ford 4 Spd |
| 2.3 | 140 | L4 | 1979 | 1982 | Turbo |
| 2.3 | 140 | L4 | 1979 | 1983 | German 4 spd |
| 2.3 | 140 | L4 | 1980 | 1980 | Non-Turbo, 5 Spd, 10/80-11/80 |
| 2.3 | 140 | L4 | 1980 | 1982 | Non-Turbo, 5 Spd, From 12/80 |
| 2.3 | 140 | L4 | 1981 | 1982 | Non-Turbo, German 4 Spd |
| 2.3 | 140 | L4 | 1983 | 1983 | Turbo, German 4 spd |
| 2.3 | 140 | L4 | 1983 | 1986 | 5 Spd |
| 2.3 | 140 | L4 | 1983 | 1986 | Turbo, 5 Spd |
| 2.3 | 140 | L4 | 1983 | 1986 | Turbo, Ford 4 Spd |
| 2.3 | 140 | L4 | 1984 | 1986 | 4 Spd |
| 2.3 | 140 | L4 | 1984 | 1986 | Turbo, 4 Spd |
| 2.3 | 140 | L4 | 1987 | 1992 | 5 Spd |
| 2.3 | 140 | L4 | 1993 | 1993 | 5 Spd |
| 3.8 | 232 | V6 | 1994 | 1999 | — |

| Kit | Disc (mm) | Disc (in) | Spline Dia | Splines | Master Cyl | Slave Cyl | Clutch Cable | Clutch Fork | New Flywheel |
|---------|-----------|-----------|------------|---------|------------|-----------|--------------|-------------|--------------|
| FMK1004 | 225 | 8-7/8 | 15/16 | 22 | MC221 | SC877 | — | — | — |
| MZK1008 | 230 | 9-1/16 | 15/16 | 22 | — | — | — | — | — |
| MZK1008 | 230 | 9-1/16 | 15/16 | 22 | — | — | — | — | — |
| 07014 | 254 | 10 | 1-1/16 | 10 | — | SC846 | — | — | — |
| 07027L | 280 | 11 | 1-1/16 | 10 | — | SC846 | — | — | — |
| KFM10 | 280 | 11 | 1-1/16 | 10 | — | SC846 | — | — | — |
| 07014 | 254 | 10 | 1-1/16 | 10 | — | SC846 | — | — | — |
| 07027L | 280 | 11 | 1-1/16 | 10 | — | SC846 | — | — | — |
| KFM10 | 280 | 11 | 1-1/16 | 10 | — | SC846 | — | — | — |
| 07014 | 254 | 10 | 1-1/16 | 10 | — | SC846 | — | — | — |
| 07014 | 254 | 10 | 1-1/16 | 10 | — | SC846 | — | — | — |
| 07014 | 254 | 10 | 1-1/16 | 10 | — | SC846 | — | — | — |
| 07027L | 280 | 11 | 1-1/16 | 10 | — | — | — | — | FWFM113 |
| 07014 | 254 | 10 | 1-1/16 | 10 | — | SC846 | — | — | — |
| KFM10 | 280 | 11 | 1-1/16 | 10 | — | SC846 | — | — | FWFM113 |
| 07027L | 280 | 11 | 1-1/16 | 10 | — | — | — | — | — |
| KFM10 | 280 | 11 | 1-1/16 | 10 | — | — | — | — | — |
| KFM10 | 280 | 11 | 1-1/16 | 10 | — | SC846 | — | — | — |
| 07027L | 280 | 11 | 1-1/16 | 10 | — | — | — | — | — |
| 07027L | 280 | 11 | 1-1/16 | 10 | — | SC846 | — | — | — |
| KFM10 | 280 | 11 | 1-1/16 | 10 | — | — | — | — | — |
| KFM10 | 280 | 11 | 1-1/16 | 10 | — | SC846 | — | — | — |
| 07027L | 280 | 11 | 1-1/16 | 10 | — | — | — | — | — |
| 07027L | 280 | 11 | 1-1/16 | 10 | — | SC846 | — | — | — |
| KFM10 | 280 | 11 | 1-1/16 | 10 | — | — | — | — | FWFM113 |
| 07027L | 280 | 11 | 1-1/16 | 10 | — | — | — | — | FWFM113 |
| KFM10 | 280 | 11 | 1-1/16 | 10 | — | — | — | — | — |
| KFM10 | 280 | 11 | 1-1/16 | 10 | — | SC846 | — | — | — |
| 07027L | 280 | 11 | 1-1/16 | 10 | — | — | — | — | — |
| 07027L | 280 | 11 | 1-1/16 | 10 | — | SC846 | — | — | — |
| 07027 | 280 | 11 | 1-1/16 | 10 | — | — | — | — | — |
| 07027 | 280 | 11 | 1-1/16 | 10 | — | — | — | — | FWFM113 |
| 07027 | 280 | 11 | 1-1/16 | 10 | — | — | — | — | — |
| 07003 | 215 | 8-1/2 | 1-1/32 | 23 | — | — | — | — | — |
| 07016 | 254 | 10 | 1-1/16 | 10 | — | — | — | — | — |
| 07016 | 254 | 10 | 1-1/16 | 10 | — | — | — | — | — |
| 07016 | 254 | 10 | 1-1/16 | 10 | — | — | — | — | — |
| 07003 | 215 | 8-1/2 | 1-1/32 | 23 | — | — | — | — | — |
| 07030 | 215 | 8-7/16 | 1-1/16 | 10 | — | — | — | — | — |
| 07006 | 215 | 8-7/16 | 1-1/16 | 10 | — | — | — | — | — |
| 07003 | 215 | 8-1/2 | 1-1/32 | 23 | — | — | — | — | — |
| 07006 | 215 | 8-7/16 | 1-1/16 | 10 | — | — | — | — | — |
| 07029 | 215 | 8-1/2 | 1-1/16 | 23 | — | — | — | — | — |
| 07003 | 215 | 8-1/2 | 1-1/32 | 23 | — | — | — | — | — |
| 07003 | 215 | 8-1/2 | 1-1/32 | 23 | — | — | — | — | — |
| 07038 | 225 | 8-7/8 | 1-1/16 | 10 | — | — | — | — | — |
| 07038 | 225 | 8-7/8 | 1-1/16 | 10 | — | — | — | — | — |
| 07030 | 215 | 8-7/16 | 1-1/16 | 10 | — | — | — | — | — |
| 07003 | 215 | 8-1/2 | 1-1/32 | 23 | — | — | — | — | — |
| 07003 | 215 | 8-1/2 | 1-1/32 | 23 | — | — | — | — | — |
| 07030 | 215 | 8-7/16 | 1-1/16 | 10 | — | — | CC853 | — | FWFM122 |
| 07030 | 215 | 8-7/16 | 1-1/16 | 10 | — | — | — | — | FWFM122 |
| 07114 | 280 | 11 | 1-1/16 | 10 | — | — | — | — | — |

1

| Liter | CC/IN | Cyl | Years | | Application Information |
|--|-------|-----|-------|------|---|
| | | | To | From | |
| FORD (Performance Applications Available) CONT. | | | | | |
| <i>MUSTANG, MUSTANG II CONT.</i> | | | | | |
| 3.8 | 232 | V6 | 2000 | 2000 | — |
| 3.8 | 232 | V6 | 2001 | 2004 | — |
| 4.0 | 244 | V6 | 2005 | 2006 | Sold as kit only |
| 4.0 | 244 | V6 | 2005 | 2010 | Sold as kit only, Includes CSC Hydraulic Slave cylinder, Includes Solid Flywheel |
| 4.1 | 250 | L6 | 1969 | 1973 | — |
| 4.6 | 281 | V8 | 1996 | 1999 | Cobra |
| 4.6 | 281 | V8 | 1996 | 2001 | GT |
| 4.6 | 281 | V8 | 1999 | 2001 | GT with T45 Transmission, Heavy Duty Version, Sold As Kit Only |
| 4.6 | 281 | V8 | 2001 | 2003 | GT with TR3650 Transmission, From 2/01 |
| 4.6 | 281 | V8 | 1999 | 2001 | Cobra, T45 Transmission |
| 4.6 | 281 | V8 | 1999 | 2001 | Cobra, T45 Transmission, HD Version |
| 4.6 | 281 | V8 | 2005 | 2008 | GT, SHELBY GT, BULLIT, SOLD AS KIT ONLY, INCLUDES CSC HYDRAULIC SLAVE CYLINDER, 10th spline |
| 4.6 | 281 | V8 | 2005 | 2008 | GT, SHELBY GT, BULLIT, SOLD AS KIT ONLY, INCLUDES CSC HYDRAULIC SLAVE CYLINDER, 26th spline |
| 4.7 | 287 | V8 | 1966 | 1967 | — |
| 5.0 | 302 | V8 | 1968 | 1973 | — |
| 5.0 | 302 | V8 | 1979 | 1979 | — |
| 5.0 | 302 | V8 | 1982 | 1985 | — |
| 5.0 | 302 | V8 | 1986 | 1995 | — |
| 5.0 | 302 | V8 | 1986 | 1995 | GT with T45 Transmission, Sold As Kit Only |
| 5.0 | 302 | V8 | 2011 | On | GT, Sold as Kit only, Includes CSC Hydraulic Slave cylinder |
| 5.8 | 354 | V8 | 1969 | 1973 | 11" Lever Clutch |
| <i>PINTO</i> | | | | | |
| 2.0 | 122 | L4 | 1971 | 1974 | — |
| 2.3 | 140 | L4 | 1974 | 1980 | — |
| <i>PROBE</i> | | | | | |
| 2.0 | 122 | L4 | 1993 | 1994 | — |
| 2.0 | 122 | L4 | 1995 | 1997 | — |
| 2.2 | 134 | L4 | 1989 | 1989 | Turbo, with ABS |
| 2.2 | 134 | L4 | 1989 | 1989 | Turbo, without ABS |
| 2.2 | 134 | L4 | 1989 | 1992 | Non-Turbo |
| 2.2 | 134 | L4 | 1989 | 1992 | Non-Turbo with Heavy Duty Ductile Iron Cover |
| 2.2 | 134 | L4 | 1990 | 1990 | Turbo, 4-Wheel ABS |
| 2.2 | 134 | L4 | 1991 | 1992 | Turbo, with ABS |
| 2.2 | 134 | L4 | 1991 | 1992 | Turbo, without ABS |
| 2.5 | 153 | V6 | 1993 | 1997 | — |
| 3.0 | 183 | V6 | 1990 | 1992 | With ABS |
| 3.0 | 183 | V6 | 1990 | 1992 | Without ABS |
| <i>RANCHERO</i> | | | | | |
| 4.1 | 250 | L6 | 1970 | 1973 | — |
| 5.0 | 305 | V8 | 1968 | 1974 | — |
| 5.8 | 354 | V8 | 1970 | 1970 | With Externally Balanced Flywheel |
| 5.8 | 354 | V8 | 1970 | 1970 | With Internally Balanced Flywheel |
| 5.8 | 354 | V8 | 1971 | 1974 | — |
| 6.4 | 391 | V8 | 1967 | 1969 | — |
| <i>TAURUS</i> | | | | | |
| 2.5 | 153 | L4 | 1986 | 1988 | — |
| 3.0 | 183 | V6 | 1986 | 1988 | — |
| <i>TEMPO</i> | | | | | |
| 2.3 | 140 | L4 | 1984 | 1987 | — |
| 2.3 | 140 | L4 | 1988 | 1994 | — |
| <i>THUNDERBIRD</i> | | | | | |
| 2.3 | 140 | L4 | 1983 | 1986 | Turbo |

| Kit | Disc (mm) | Disc (in) | Spline Dia | Splines | Master Cyl | Slave Cyl | Clutch Cable | Clutch Fork | New Flywheel |
|-----------|-----------|-----------|------------|---------|------------|-----------|--------------|-------------|--------------|
| 07114 | 280 | 11 | 1-1/16 | 10 | — | — | — | — | FWFMM02 |
| 07114 | 280 | 11 | 1-1/16 | 10 | — | — | — | — | — |
| FMK1010 | 254 | 10 | 1-1/16 | 10 | — | BRG0159 | — | — | — |
| FMK1028FW | 250 | 9-7/8 | 1-1/16 | 10 | — | BRG0159 | — | — | — |
| 07014 | 254 | 10 | 1-1/16 | 10 | — | SC846 | — | — | — |
| FMK1001 | 265 | 10-1/2 | 1-1/16 | 10 | — | — | — | — | — |
| 07042 | 265 | 10-1/2 | 1-1/16 | 10 | — | — | — | — | — |
| KFM08HP | 265 | 10-1/2 | 1-1/16 | 10 | — | — | — | — | — |
| KFM09 | 280 | 11 | 1-1/16 | 10 | — | — | — | — | — |
| KFM10 | 280 | 11 | 1-1/16 | 10 | — | — | — | — | — |
| KFM10HP | 280 | 11 | 1-1/16 | 10 | — | — | — | — | — |
| FMK1011 | 280 | 11 | 1-1/16 | 10 | — | BRG0159 | — | — | — |
| FMK1012 | 280 | 11 | 1-1/16 | 26 | — | BRG0159 | — | — | — |
| 07014 | 254 | 10 | 1-1/16 | 10 | — | SC846 | — | — | — |
| 07014 | 254 | 10 | 1-1/16 | 10 | — | SC846 | — | — | — |
| 07005 | 254 | 10 | 1-1/16 | 10 | — | — | — | — | — |
| 07005 | 254 | 10 | 1-1/16 | 10 | — | — | CC318 | — | FWFM111 |
| 07042 | 265 | 10-1/2 | 1-1/16 | 10 | — | — | CC318 | — | FWFM112 |
| KFM08HP | 265 | 10-1/2 | 1-1/16 | 10 | — | — | — | — | FWFM112 |
| FMK1026 | 280 | 11 | 1 | 23 | — | BRG0159 | — | — | — |
| 07027L | 280 | 11 | 1-1/16 | 10 | — | SC846 | — | — | FWFM113 |
| 07003 | 215 | 8-1/2 | 1-1/32 | 23 | — | SC846 | — | — | — |
| 07003 | 215 | 8-1/2 | 1-1/32 | 23 | — | — | — | — | — |
| 07094 | 225 | 8-7/8 | 15/16 | 22 | MC213 | SC630 | — | — | FWFN1222 |
| 07094 | 225 | 8-7/8 | 15/16 | 22 | MC213 | SC630 | — | — | — |
| 07067 | 240 | 9-1/2 | 1-1/16 | 23 | MC212 | SC607 | — | — | — |
| 07067 | 240 | 9-1/2 | 1-1/16 | 23 | MC211 | SC607 | — | — | — |
| 10029 | 225 | 8-7/8 | 15/16 | 22 | MC211 | SC606 | — | — | — |
| 10029D | 225 | 8-7/8 | 15/16 | 22 | MC211 | SC606 | — | — | — |
| 07067 | 240 | 9-1/2 | 1-1/16 | 23 | MC212 | SC607 | — | — | — |
| 07067 | 240 | 9-1/2 | 1-1/16 | 23 | MC212 | SC607 | — | — | — |
| 07067 | 240 | 9-1/2 | 1-1/16 | 23 | MC211 | SC607 | — | — | — |
| 07095 | 225 | 8-7/8 | 15/16 | 22 | MC213 | SC630 | — | — | — |
| 07072 | 240 | 9-1/2 | 1-1/16 | 23 | MC212 | SC616 | — | — | — |
| 07072 | 240 | 9-1/2 | 1-1/16 | 23 | MC211 | SC616 | — | — | — |
| 07014 | 254 | 10 | 1-1/16 | 10 | — | SC846 | — | — | — |
| 07014 | 254 | 10 | 1-1/16 | 10 | — | SC846 | — | — | — |
| 07027 | 280 | 11 | 1-1/16 | 10 | — | — | — | — | FWFM116 |
| 07027 | 280 | 11 | 1-1/16 | 10 | — | — | — | — | FWFM113 |
| 07027 | 280 | 11 | 1-1/16 | 10 | — | — | — | — | FWFM116 |
| 07027 | 280 | 11 | 1-1/16 | 10 | — | SC846 | — | — | — |
| 07010 | 215 | 8-7/16 | 7/8 | 20 | — | — | — | — | — |
| 07010 | 215 | 8-7/16 | 7/8 | 20 | — | — | — | — | — |
| 07010 | 215 | 8-7/16 | 7/8 | 20 | — | — | — | — | FWFM122 |
| 07069 | 215 | 8-7/16 | 7/8 | 20 | — | — | — | — | FWFM122 |
| 07038 | 225 | 8-7/8 | 1-1/16 | 10 | — | — | — | — | — |

1

| Liter | CC/IN | Cyl | Years | | Application Information |
|-------|-------|-----|-------|------|-------------------------|
| | | | To | From | |

FORD TRUCK, SUV & VAN

AEROSTAR

| | | | | | |
|-----|-----|----|------|------|---|
| 2.3 | 140 | L4 | 1986 | 1987 | — |
| 2.8 | 171 | V6 | 1986 | 1986 | — |
| 3.0 | 183 | V6 | 1986 | 1987 | — |
| 3.0 | 183 | V6 | 1988 | 1990 | — |
| 3.0 | 183 | V6 | 1991 | 1991 | — |
| 3.0 | 183 | V6 | 1992 | 1992 | — |
| 3.0 | 183 | V6 | 1993 | 1994 | — |

BRONCO II

| | | | | | |
|-----|-----|----|------|------|---|
| 2.8 | 171 | V6 | 1984 | 1984 | — |
| 2.8 | 171 | V6 | 1985 | 1985 | — |
| 2.9 | 177 | V6 | 1986 | 1987 | — |
| 2.9 | 177 | V6 | 1988 | 1990 | — |

BRONCO, F100-550

| | | | | | |
|-----|-----|----|------|------|--|
| 3.8 | 232 | V6 | 1982 | 1982 | — |
| 3.8 | 232 | V6 | 1983 | 1983 | — |
| 3.9 | 238 | L6 | 1966 | 1976 | — |
| 4.2 | 256 | V8 | 1981 | 1982 | — |
| 4.2 | 256 | V6 | 1997 | 1999 | — |
| 4.2 | 256 | V6 | 1997 | 1999 | Non-Self Adjusting Clutch, EXEDY Economy version, Sold as Kit Only |
| 4.2 | 256 | V6 | 2000 | 2006 | Self-Adjusting OEM version, To Aug 21/2005 |
| 4.2 | 256 | V6 | 2000 | 2004 | Non-Self Adjusting Clutch, EXEDY Economy version, Sold as Kit Only |
| 4.6 | 281 | V8 | 1997 | 1998 | — |
| 4.6 | 281 | V8 | 1997 | 1998 | Non-Self Adjusting Clutch, EXEDY Economy version, Sold as Kit Only |
| 4.6 | 281 | V8 | 1999 | 2004 | — |
| 4.6 | 281 | V8 | 1999 | 2004 | Non-Self Adjusting Clutch, EXEDY Economy version, Sold as Kit Only |
| 4.7 | 287 | V8 | 1966 | 1966 | 10" Disc |
| 4.7 | 287 | V8 | 1966 | 1967 | 11" Disc |
| 4.9 | 299 | L6 | 1965 | 1972 | — |
| 4.9 | 299 | L6 | 1973 | 1976 | — |
| 4.9 | 299 | L6 | 1977 | 1977 | 11" Disc, From Chassis # Y80,001 |
| 4.9 | 299 | L6 | 1977 | 1977 | To Chassis # Y80,000 |
| 4.9 | 299 | L6 | 1978 | 1979 | 11" Disc |
| 4.9 | 299 | L6 | 1980 | 1982 | 10" Disc |
| 4.9 | 299 | L6 | 1980 | 1982 | 11" Disc |
| 4.9 | 299 | L6 | 1983 | 1983 | Hydraulic Linkage |
| 4.9 | 299 | L6 | 1983 | 1983 | Mechanical Linkage |
| 4.9 | 299 | L6 | 1984 | 1987 | 10" Disc |
| 4.9 | 299 | L6 | 1984 | 1987 | 11" Disc |
| 4.9 | 299 | L6 | 1988 | 1990 | 4 Spd with 10" Disc |
| 4.9 | 299 | L6 | 1988 | 1990 | 4 Spd with 11" Disc |
| 4.9 | 299 | L6 | 1988 | 1990 | 5 Spd with 10" Disc |
| 4.9 | 299 | L6 | 1988 | 1990 | 5 Spd with 11" Disc |
| 4.9 | 299 | L6 | 1991 | 1991 | 4 Spd with 10" Disc |
| 4.9 | 299 | L6 | 1991 | 1991 | 4 Spd with 11" Disc |
| 4.9 | 299 | L6 | 1991 | 1991 | 5 Spd with 11" Disc |
| 4.9 | 299 | L6 | 1991 | 1992 | 5 Spd with 10" Disc |
| 4.9 | 299 | L6 | 1992 | 1992 | 4 Spd with 10" Disc |
| 4.9 | 299 | L6 | 1992 | 1992 | 4 Spd with 11" Disc |
| 4.9 | 299 | L6 | 1992 | 1992 | 5 Spd with 11" Disc |
| 4.9 | 299 | L6 | 1993 | 1993 | 4 Spd with 10" Disc |
| 4.9 | 299 | L6 | 1993 | 1993 | 4 Spd with 11" Disc |
| 4.9 | 299 | L6 | 1993 | 1996 | 5 Spd with 10" Disc |
| 4.9 | 299 | L6 | 1993 | 1996 | 5 Spd with 11" Disc |
| 5.0 | 302 | V8 | 1968 | 1976 | — |
| 5.0 | 302 | V8 | 1977 | 1977 | From Chassis # Y 80, 001 |

| Kit | Disc (mm) | Disc (in) | Spline Dia | Splines | Master Cyl | Slave Cyl | Clutch Cable | Clutch Fork | New Flywheel |
|---------|-----------|-----------|------------|---------|------------|-----------|--------------|-------------|--------------|
| 07048 | 225 | 8-7/8 | 1 | 23 | MC352 | SC732 | — | — | — |
| 07048 | 225 | 8-7/8 | 1 | 23 | MC352 | SC732 | — | — | — |
| 07048 | 225 | 8-7/8 | 1 | 23 | MC352 | SC732 | — | — | — |
| 07054 | 225 | 8-7/8 | 1 | 23 | MC353 | SC783 | — | — | — |
| 07054 | 225 | 8-7/8 | 1 | 23 | MC354 | SC783 | — | — | — |
| 07054 | 225 | 8-7/8 | 1 | 23 | MC360 | SC783 | — | — | — |
| 07099 | 225 | 8-7/8 | 1 | 23 | MC363 | SC778 | — | — | — |
| 07041 | 225 | 8-7/8 | 1 | 23 | MC352 | SC731 | — | — | — |
| 07048 | 225 | 8-7/8 | 1 | 23 | MC352 | SC732 | — | — | — |
| 07048 | 225 | 8-7/8 | 1 | 23 | MC352 | SC732 | — | — | — |
| 07054 | 225 | 8-7/8 | 1 | 23 | MC353 | SC783 | — | — | — |
| 07014 | 254 | 10 | 1-1/16 | 10 | — | — | — | — | — |
| 07016 | 254 | 10 | 1-1/16 | 10 | — | — | — | — | — |
| 07027 | 280 | 11 | 1-1/16 | 10 | — | SC846 | — | — | — |
| 07014 | 254 | 10 | 1-1/16 | 10 | — | — | — | — | FWFM123 |
| 07129 | 290 | 11-1/2 | 1-1/16 | 10 | MC366 | SC778 | — | — | — |
| FMK1021 | 290 | 11-1/2 | 1-1/16 | 10 | MC366 | SC778 | — | — | — |
| KFM12 | 290 | 11-1/2 | 1-1/16 | 10 | MC366 | SC778 | — | — | FWFMC117 |
| FMK1020 | 290 | 11-1/2 | 1-1/16 | 10 | MC366 | SC778 | — | — | FWFMC117 |
| KFM11 | 290 | 11-1/2 | 1-1/16 | 10 | MC366 | SC778 | — | — | — |
| FMK1021 | 290 | 11-1/2 | 1-1/16 | 10 | MC366 | SC778 | — | — | — |
| KFM13 | 290 | 11-1/2 | 1-1/16 | 10 | MC366 | SC778 | — | — | — |
| FMK1020 | 290 | 11-1/2 | 1-1/16 | 10 | MC366 | SC778 | — | — | — |
| 07014 | 254 | 10 | 1-1/16 | 10 | — | — | — | — | — |
| 07015 | 280 | 11 | 1-1/16 | 10 | — | SC846 | — | — | — |
| 07027 | 280 | 11 | 1-1/16 | 10 | — | — | — | — | — |
| 07027 | 280 | 11 | 1-1/16 | 10 | — | — | — | CF101 | — |
| 07015 | 280 | 11 | 1-1/16 | 10 | — | — | — | CF101 | — |
| 07027 | 280 | 11 | 1-1/16 | 10 | — | — | — | CF101 | — |
| 07015 | 280 | 11 | 1-1/16 | 10 | — | — | — | CF101 | — |
| 07014 | 254 | 10 | 1-1/16 | 10 | — | — | — | — | FWFM117 |
| 07015 | 280 | 11 | 1-1/16 | 10 | — | — | — | — | FWFM117 |
| 07016 | 254 | 10 | 1-1/16 | 10 | MC357 | SC729 | — | — | FWFM117 |
| 07013 | 280 | 11 | 1-1/16 | 10 | MC442 | SC788 | — | — | FWFM117 |
| 07016 | 254 | 10 | 1-1/16 | 10 | MC357 | SC728 | — | CF117 | FWFM117 |
| 07032 | 280 | 11 | 1-1/16 | 10 | MC357 | SC728 | — | CF117 | FWFM117 |
| 07016 | 254 | 10 | 1-1/16 | 10 | MC355 | SC728 | — | CF117 | FWFM117 |
| 07032 | 280 | 11 | 1-1/16 | 10 | MC355 | SC728 | — | CF117 | FWFM117 |
| 07056 | 254 | 10 | 1-1/16 | 10 | MC355 | SC783 | — | CF117 | FWFM117 |
| 07057 | 280 | 11 | 1-1/16 | 10 | MC355 | SC783 | — | CF117 | FWFM117 |
| 07016 | 254 | 10 | 1-1/16 | 10 | MC355 | SC728 | — | — | FWFM117 |
| 07032 | 280 | 11 | 1-1/16 | 10 | MC355 | SC728 | — | — | FWFM117 |
| 07057 | 280 | 11 | 1-1/16 | 10 | MC355 | SC783 | — | — | FWFM117 |
| 07056 | 254 | 10 | 1-1/16 | 10 | MC355 | SC783 | — | — | FWFM117 |
| 07016 | 254 | 10 | 1-1/16 | 10 | MC361 | SC728 | — | — | FWFM117 |
| 07032 | 280 | 11 | 1-1/16 | 10 | MC361 | SC728 | — | — | FWFM117 |
| 07057 | 280 | 11 | 1-1/16 | 10 | MC361 | SC783 | — | — | FWFM117 |
| 07016 | 254 | 10 | 1-1/16 | 10 | MC429 | SC734 | — | — | FWFM117 |
| 07032 | 280 | 11 | 1-1/16 | 10 | MC429 | SC734 | — | — | FWFM117 |
| 07098 | 254 | 10 | 1-1/16 | 10 | MC429 | SC778 | — | — | FWFM117 |
| 07097 | 280 | 11 | 1-1/16 | 10 | MC429 | SC778 | — | — | FWFM117 |
| 07027 | 280 | 11 | 1-1/16 | 10 | — | — | — | — | FWFM116 |
| 07015 | 280 | 11 | 1-1/16 | 10 | — | — | — | — | — |

1

| Liter | CC/IN | Cyl | Years | | Application Information |
|-------|-------|-----|-------|------|-------------------------|
| | | | To | From | |

FORD TRUCK, SUV & VAN CONT.

BRONCO, F100-550 CONT.

1

| | | | | | |
|-----|-----|-----|------|------|---|
| 5.0 | 302 | V8 | 1977 | 1977 | To Chassis # Y80,000 |
| 5.0 | 302 | V8 | 1978 | 1979 | — |
| 5.0 | 302 | V8 | 1980 | 1982 | 10" Disc |
| 5.0 | 302 | V8 | 1980 | 1983 | 11" Disc |
| 5.0 | 302 | V8 | 1983 | 1983 | 10" Disc |
| 5.0 | 302 | V8 | 1984 | 1986 | 10" Disc |
| 5.0 | 302 | V8 | 1984 | 1986 | 11" Disc |
| 5.0 | 302 | V8 | 1987 | 1987 | — |
| 5.0 | 302 | V8 | 1988 | 1989 | 4 Spd |
| 5.0 | 302 | V8 | 1988 | 1989 | 5 Spd |
| 5.0 | 302 | V8 | 1990 | 1991 | 4 Spd |
| 5.0 | 302 | V8 | 1990 | 1991 | 5 Spd |
| 5.0 | 302 | V8 | 1992 | 1992 | 4 Spd |
| 5.0 | 302 | V8 | 1992 | 1992 | 5 Spd |
| 5.0 | 302 | V8 | 1993 | 1996 | 5 Spd |
| 5.4 | 330 | V8 | 1999 | 2007 | — |
| 5.8 | 354 | V8 | 1966 | 1967 | — |
| 5.8 | 354 | V8 | 1977 | 1979 | — |
| 5.8 | 354 | V8 | 1980 | 1980 | — |
| 5.8 | 354 | V8 | 1981 | 1982 | — |
| 5.8 | 354 | V8 | 1983 | 1983 | — |
| 5.8 | 354 | V8 | 1984 | 1986 | — |
| 5.8 | 354 | V8 | 1987 | 1987 | — |
| 5.8 | 354 | V8 | 1988 | 1989 | 4 Spd |
| 5.8 | 354 | V8 | 1988 | 1989 | 5 Spd |
| 5.8 | 354 | V8 | 1990 | 1990 | 4 Spd |
| 5.8 | 354 | V8 | 1990 | 1990 | 4 Spd |
| 5.8 | 354 | V8 | 1990 | 1990 | 5 Spd |
| 5.8 | 354 | V8 | 1990 | 1990 | 5 Spd |
| 5.8 | 354 | V8 | 1991 | 1991 | 4 Spd |
| 5.8 | 354 | V8 | 1991 | 1991 | 5 Spd |
| 5.8 | 354 | V8 | 1992 | 1992 | 4 Spd |
| 5.8 | 354 | V8 | 1992 | 1992 | 5 Spd |
| 5.8 | 354 | V8 | 1993 | 1994 | — |
| 5.8 | 354 | V8 | 1995 | 1997 | — |
| 5.9 | 360 | V8 | 1968 | 1977 | — |
| 6.0 | 366 | V8 | 2003 | 2005 | Turbo Diesel, Solid FW, Sold as Kit Only |
| 6.0 | 366 | V8 | 2005 | 2006 | Turbo Diesel, Solid FW, Sold as Kit Only |
| 6.0 | 366 | V8 | 2007 | 2007 | Turbo Diesel, Solid FW, Sold as Kit Only |
| 6.4 | 391 | V8 | 1968 | 1970 | — |
| 6.4 | 391 | V8 | 1968 | 1976 | — |
| 6.6 | 403 | V8 | 1977 | 1978 | — |
| 6.6 | 403 | V8 | 1979 | 1982 | — |
| 6.8 | 415 | V10 | 1999 | 2003 | — |
| 6.8 | 415 | V10 | 2004 | 2004 | Sold as Kit Only |
| 6.8 | 415 | V10 | 2004 | 2005 | Sold as Kit Only |
| 6.8 | 415 | V10 | 2005 | 2007 | Sold as Kit Only |
| 6.9 | 421 | V8 | 1983 | 1986 | Diesel, 11" Clutch with Solid Flywheel |
| 6.9 | 421 | V8 | 1983 | 1986 | Diesel, 12" Disc |
| 6.9 | 421 | V8 | 1987 | 1987 | Diesel, 4 Spd 11" Clutch with Solid Flywheel |
| 6.9 | 421 | V8 | 1987 | 1987 | Diesel, 4 Spd, 12" Disc |
| 7.3 | 445 | V8 | 1988 | 1988 | Diesel with Indirect Fuel Injection, Non-Turbo and Aftermarket Turbo, with DMF. Heavy Duty 12" option with rigid disc. Valeo type DMF not included. |
| 7.3 | 445 | V8 | 1988 | 1989 | Diesel with Indirect Fuel Injection, Factory Turbo, with DMF. Heavy Duty 12" option. Valeo type DMF included. |



| Kit | Disc (mm) | Disc (in) | Spline Dia | Splines | Master Cyl | Slave Cyl | Clutch Cable | Clutch Fork | New Flywheel |
|---------|-----------|-----------|------------|---------|------------------|-----------|--------------|-------------|--------------|
| 07027 | 280 | 11 | 1-1/16 | 10 | — | — | — | — | — |
| 07015 | 280 | 11 | 1-1/16 | 10 | — | — | — | — | FWFM116 |
| 07014 | 254 | 10 | 1-1/16 | 10 | — | — | — | — | — |
| 07013 | 280 | 11 | 1-1/16 | 10 | — | — | — | — | FWFM116 |
| 07016 | 254 | 10 | 1-1/16 | 10 | MC357 | — | — | — | — |
| 07016 | 254 | 10 | 1-1/16 | 10 | MC357 | SC788 | — | — | — |
| 07022 | 280 | 11 | 1-1/16 | 10 | MC357 | SC728 | — | — | FWFM116 |
| 07032 | 280 | 11 | 1-1/16 | 10 | MC357 | SC728 | — | — | FWFM116 |
| 07032 | 280 | 11 | 1-1/16 | 10 | MC355 | SC728 | — | — | — |
| 07057 | 280 | 11 | 1-1/16 | 10 | MC355 | SC728 | — | — | — |
| 07032 | 280 | 11 | 1-1/16 | 10 | MC355 | SC783 | — | — | — |
| 07057 | 280 | 11 | 1-1/16 | 10 | MC355 | SC783 | — | — | — |
| 07032 | 280 | 11 | 1-1/16 | 10 | MC361 | SC783 | — | — | — |
| 07057 | 280 | 11 | 1-1/16 | 10 | MC361 | SC783 | — | — | — |
| 07097 | 280 | 11 | 1-1/16 | 10 | MC429 | SC778 | — | — | — |
| 07144 | 305 | 12 | 1-1/4 | 10 | MC368 | SC739 | — | — | — |
| 07027 | 280 | 11 | 1-1/16 | 10 | — | SC846 | — | — | — |
| 07033 | 280 | 11 | 1-1/16 | 10 | — | — | — | — | — |
| 07033 | 280 | 11 | 1-1/16 | 10 | — | — | — | CF107 | — |
| 07015 | 280 | 11 | 1-1/16 | 10 | — | — | — | CF107 | — |
| 07013 | 280 | 11 | 1-1/16 | 10 | — | — | — | — | — |
| 07016 | 254 | 10 | 1-1/16 | 10 | MC357 | SC728 | — | — | — |
| KFM04 | 280 | 11 | 1-1/16 | 10 | MC357 | SC728 | — | — | — |
| 07032 | 280 | 11 | 1-1/16 | 10 | MC355 | SC728 | — | — | — |
| 07057 | 280 | 11 | 1-1/16 | 10 | MC355 | SC728 | — | — | — |
| 07032 | 280 | 11 | 1-1/16 | 10 | MC355 | SC783 | — | — | — |
| 07032 | 280 | 11 | 1-1/16 | 10 | MC355 | SC788 | — | — | — |
| 07057 | 280 | 11 | 1-1/16 | 10 | MC355 | SC783 | — | — | — |
| 07057 | 280 | 11 | 1-1/16 | 10 | MC355 | SC788 | — | — | — |
| 07032 | 280 | 11 | 1-1/16 | 10 | MC355 | SC783 | — | — | — |
| 07057 | 280 | 11 | 1-1/16 | 10 | MC355 | SC783 | — | — | — |
| 07032 | 280 | 11 | 1-1/16 | 10 | MC361 | SC783 | — | — | — |
| 07057 | 280 | 11 | 1-1/16 | 10 | MC361 | SC783 | — | — | — |
| 07097 | 280 | 11 | 1-1/16 | 10 | MC429 | SC778 | — | — | — |
| 07117 | 305 | 12 | 1-1/16 | 10 | MC429 | SC778 | — | — | — |
| 07027 | 280 | 11 | 1-1/16 | 10 | — | SC846 | — | — | — |
| FMK1016 | 330 | 13 | 1-3/8 | 10 | MC591 | SC929 | — | — | FWFMF08 |
| FMK1016 | 330 | 13 | 1-3/8 | 10 | MC592 | SC929 | — | — | FWFMF08 |
| FMK1016 | 330 | 13 | 1-3/8 | 10 | — | — | — | — | FWFMF08 |
| 07027 | 280 | 11 | 1-1/16 | 10 | — | — | — | — | FWFM113 |
| 07027 | 280 | 11 | 1-1/16 | 10 | — | SC846 | — | — | — |
| 07050 | 302 | 11-7/8 | 1-1/16 | 10 | — | — | — | — | — |
| 07050 | 302 | 11-7/8 | 1-1/16 | 10 | — | — | — | CF103 | — |
| KFM21 | 305 | 12 | 1-1/4 | 10 | MC368 | SC739 | — | — | — |
| FMK1018 | 305 | 11-15/16 | 1-1/4 | 10 | MC368 | SC739 | — | — | — |
| FMK1018 | 305 | 11-15/16 | 1-1/4 | 10 | MC591(6/04-2/05) | SC930 | — | — | — |
| FMK1018 | 305 | 11-15/16 | 1-1/4 | 10 | MC592(3/05-on) | SC930 | — | — | — |
| 07026 | 280 | 11 | 1-1/16 | 10 | MC357 | SC729 | — | — | — |
| 07065 | 302 | 11-7/8 | 1-1/16 | 10 | MC357 | SC729 | — | — | — |
| 07026 | 280 | 11 | 1-1/16 | 10 | MC357 | SC729 | — | — | — |
| 07065 | 302 | 11-7/8 | 1-1/16 | 10 | MC357 | SC729 | — | — | — |
| 07100 | 302 | 11-7/8 | 1-1/4 | 10 | MC355 | — | — | — | FWFTF04 |
| 07100B | 302 | 11-7/8 | 1-1/4 | 10 | MC355 | — | — | — | FWFTF05 |

1

| Liter | CC/IN | Cyl | Years | | Application Information |
|--|-------|-----|-------|------|---|
| | | | To | From | |
| FORD TRUCK, SUV & VAN CONT. | | | | | |
| BRONCO, F100-550 CONT. | | | | | |
| 7.3 | 445 | V8 | 1988 | 1989 | Diesel with Indirect Fuel Injection, Non-Turbo and Aftermarket Turbo, with DMF. Heavy Duty 12" option with rigid disc. Valeo type DMF included. |
| 7.3 | 445 | V8 | 1988 | 1989 | Diesel with Indirect Fuel Injection, Non-Turbo and Aftermarket Turbo, with DMF. Heavy Duty 12" option. Valeo type DMF not included. |
| 7.3 | 445 | V8 | 1988 | 1989 | Diesel with Indirect Fuel Injection, Non-Turbo and Aftermarket Turbo, with DMF. Valeo type DMF included. |
| 7.3 | 445 | V8 | 1988 | 1989 | Diesel with Indirect Fuel Injection, Non-Turbo and Aftermarket Turbo, with DMF. Valeo type DMF not included. |
| 7.3 | 445 | V8 | 1988 | 1989 | Diesel with Indirect Fuel Injection, Non-Turbo and Factory Turbo, 8th Digit of VIN K. LUK type solid flywheel replacement kit contains solid flywheel and mounting bolts. Must be used as matched set. |
| 7.3 | 445 | V8 | 1988 | 1989 | Diesel,With Indirect Fuel Injection,8th Digit of VIN# M, Non-Turbo and Aftermarket Turbo, LUK type solid flywheel replacement, kit contains flywheel. |
| 7.3 | 445 | V8 | 1988 | 1989 | Diesel,With Indirect Fuel Injection,8th Digit of VIN# M, Non-Turbo and Aftermarket Turbo, LUK type solid flywheel replacement, kit does not contain flywheel. |
| 7.3 | 445 | V8 | 1990 | 1991 | Diesel with Indirect Fuel Injection, Factory Turbo, with DMF. Heavy Duty 12" option. Valeo type DMF included. |
| 7.3 | 445 | V8 | 1990 | 1991 | Diesel with Indirect Fuel Injection, Non-Turbo and Aftermarket Turbo, with DMF. Heavy Duty 12" option with rigid disc. Valeo type DMF included. |
| 7.3 | 445 | V8 | 1990 | 1991 | Diesel with Indirect Fuel Injection, Non-Turbo and Aftermarket Turbo, with DMF. Heavy Duty 12" option. Valeo type DMF not included. |
| 7.3 | 445 | V8 | 1990 | 1991 | Diesel with Indirect Fuel Injection, Non-Turbo and Aftermarket Turbo, with DMF. Valeo type DMF included. |
| 7.3 | 445 | V8 | 1990 | 1991 | Diesel with Indirect Fuel Injection, Non-Turbo and Aftermarket Turbo, with DMF. Valeo type DMF not included. |
| 7.3 | 445 | V8 | 1990 | 1992 | Diesel with Indirect Fuel Injection, Non-Turbo and Factory Turbo, Stripped Chassis, 8th Digit of VIN K. LUK type solid flywheel replacement, kit contains solid flywheel and mounting bolts. Must be used as matched set. |
| 7.3 | 445 | V8 | 1990 | 1992 | Diesel,With Indirect Fuel Injection,8th Digit of VIN# M, Non-Turbo and Aftermarket Turbo, LUK type solid flywheel replacement, kit contains flywheel. |
| 7.3 | 445 | V8 | 1990 | 1992 | Diesel,With Indirect Fuel Injection,8th Digit of VIN# M, Non-Turbo and Aftermarket Turbo, LUK type solid flywheel replacement, kit does not contain flywheel. |
| 7.3 | 445 | V8 | 1990 | 1994 | Diesel with Indirect Fuel Injection, Non-Turbo and Aftermarket Turbo, with DMF. Valeo type DMF not included. With stripped chassis. |
| 7.3 | 445 | V8 | 1992 | 1992 | Diesel with Indirect Fuel Injection, Factory Turbo, with DMF. Heavy Duty 12" option. Valeo type DMF included. |
| 7.3 | 445 | V8 | 1992 | 1992 | Diesel with Indirect Fuel Injection, Non-Turbo and Aftermarket Turbo, with DMF. Heavy Duty 12" option with rigid disc. Valeo type DMF included. |
| 7.3 | 445 | V8 | 1992 | 1992 | Diesel with Indirect Fuel Injection, Non-Turbo and Aftermarket Turbo, with DMF. Heavy Duty 12" option. Valeo type DMF not included. |
| 7.3 | 445 | V8 | 1992 | 1992 | Diesel with Indirect Fuel Injection, Non-Turbo and Aftermarket Turbo, with DMF. Valeo type DMF included. |
| 7.3 | 445 | V8 | 1992 | 1992 | Diesel with Indirect Fuel Injection, Non-Turbo and Aftermarket Turbo, with DMF. Valeo type DMF not included. |
| 7.3 | 445 | V8 | 1992 | 1992 | Diesel with Indirect Fuel Injection, Non-Turbo and Factory Turbo, 8th Digit of VIN K. LUK type solid flywheel replacement kit contains solid flywheel and mounting bolts. Must be used as matched set. |
| 7.3 | 445 | V8 | 1992 | 1992 | Diesel,With Indirect Fuel Injection,8th Digit of VIN# M, Non-Turbo and Aftermarket Turbo, LUK type solid flywheel replacement, kit contains flywheel. |
| 7.3 | 445 | V8 | 1992 | 1992 | Diesel,With Indirect Fuel Injection,8th Digit of VIN# M, Non-Turbo and Aftermarket Turbo, LUK type solid flywheel replacement, kit does not contain flywheel. |
| 7.3 | 445 | V8 | 1993 | 1993 | Diesel with Indirect Fuel Injection, Factory Turbo, 8th Digit of VIN C. LUK type solid flywheel replacement kit contains solid flywheel and mounting bolts. Must be used as matched set. |
| 7.3 | 445 | V8 | 1993 | 1993 | Diesel,With Indirect Fuel Injection, 8th Digit of VIN# C,Factory Turbo, LUK type solid flywheel replacement, kit contains flywheel. |
| 7.3 | 445 | V8 | 1993 | 1993 | Diesel,With Indirect Fuel Injection, 8th Digit of VIN# C,Factory Turbo, LUK type solid flywheel replacement, kit does not contain flywheel. |
| 7.3 | 445 | V8 | 1993 | 1993 | Turbo Diesel, 5 Spd with Indirect Fuel Injection, VIN C. LUK Type Solid Flywheel and mounting bolts included. |
| 7.3 | 445 | V8 | 1993 | 1993 | Turbo Diesel, 5 Spd with Indirect Fuel Injection, VIN C. LUK Type Solid Flywheel not Included. Use this kit when solid flywheel is present. |
| 7.3 | 445 | V8 | 1993 | 1993 | Turbo, 5 Spd with Indirect Fuel Injection, VIN C. Exedy/Daikin type includes solid FW.Must be sold as matched set.. Economy version |
| 7.3 | 445 | V8 | 1993 | 1994 | Diesel with Indirect Fuel Injection, Factory Turbo, with DMF. Heavy Duty 12" option. Valeo type DMF included. |
| 7.3 | 445 | V8 | 1993 | 1994 | Diesel with Indirect Fuel Injection, Non-Turbo and Aftermarket Turbo, with DMF. Heavy Duty 12" option with rigid disc. Valeo type DMF included. |
| 7.3 | 445 | V8 | 1993 | 1994 | Diesel with Indirect Fuel Injection, Non-Turbo and Aftermarket Turbo, with DMF. Heavy Duty 12" option. Valeo type DMF not included. |
| 7.3 | 445 | V8 | 1993 | 1994 | Diesel with Indirect Fuel Injection, Non-Turbo and Aftermarket Turbo, with DMF. Valeo type DMF included. |
| 7.3 | 445 | V8 | 1993 | 1994 | Diesel with Indirect Fuel Injection, Non-Turbo and Aftermarket Turbo, with DMF. Valeo type DMF not included. |
| 7.3 | 445 | V8 | 1993 | 1994 | Diesel with Indirect Fuel Injection, Non-Turbo and Factory Turbo, 8th Digit of VIN K. LUK type solid flywheel replacement kit contains solid flywheel and mounting bolts. Must be used as matched set. |
| 7.3 | 445 | V8 | 1993 | 1994 | Diesel, 5 Spd with Indirect Fuel Injection, VIN M. LUK Type Solid Flywheel not Included. Use this kit when solid flywheel is present. |
| 7.3 | 445 | V8 | 1993 | 1994 | Diesel, 5 Spd with Indirect Fuel Injection, VIN M. LUK Type Solid Flywheel and mounting bolts included. |
| 7.3 | 445 | V8 | 1993 | 1994 | Diesel, 5 Spd with Indirect Fuel Injection. Valeo Type Solid Flywheel Replacement Kit Includes Flywheel and Mounting Bolts. |



| Kit | Disc (mm) | Disc (in) | Spline Dia | Splines | Master Cyl | Slave Cyl | Clutch Cable | Clutch Fork | New Flywheel |
|---------|-----------|-----------|------------|---------|------------|-----------|--------------|-------------|--------------|
| 07100A | 302 | 11-7/8 | 1-1/4 | 10 | MC355 | — | — | — | FWTF04 |
| 07100 | 302 | 11-7/8 | 1-1/4 | 10 | MC355 | — | — | — | FWTF04 |
| 07076A | 280 | 11 | 1-1/4 | 10 | MC355 | — | — | — | FWTF01 |
| 07076 | 280 | 11 | 1-1/4 | 10 | MC355 | — | — | — | FWTF01 |
| 07131B | 311 | 12-1/4 | 1-1/4 | 10 | MC355 | — | — | — | FWFMC128 |
| 07131A | 311 | 12-1/4 | 1-1/4 | 10 | MC355 | — | — | — | FWFMC127 |
| 07131 | 311 | 12-1/4 | 1-1/4 | 10 | MC355 | — | — | — | FWFMC127 |
| 07100B | 302 | 11-7/8 | 1-1/4 | 10 | MC356 | — | — | — | FWTF05 |
| 07100A | 302 | 11-7/8 | 1-1/4 | 10 | MC356 | — | — | — | FWTF04 |
| 07100 | 302 | 11-7/8 | 1-1/4 | 10 | MC356 | — | — | — | FWTF04 |
| 07076A | 280 | 11 | 1-1/4 | 10 | MC356 | — | — | — | FWTF01 |
| 07076 | 280 | 11 | 1-1/4 | 10 | MC356 | — | — | — | FWTF01 |
| 07131B | 311 | 12-1/4 | 1-1/4 | 10 | MC356 | — | — | — | FWFMC128 |
| 07131A | 311 | 12-1/4 | 1-1/4 | 10 | MC356 | — | — | — | FWFMC127 |
| 07131 | 311 | 12-1/4 | 1-1/4 | 10 | MC356 | — | — | — | FWFMC127 |
| 07076 | 280 | 11 | 1-1/4 | 10 | MC356 | SC735 | — | — | FWTF01 |
| 07100B | 302 | 11-7/8 | 1-1/4 | 10 | MC361 | — | — | — | FWTF05 |
| 07100A | 302 | 11-7/8 | 1-1/4 | 10 | MC361 | — | — | — | FWTF04 |
| 07100 | 302 | 11-7/8 | 1-1/4 | 10 | MC361 | — | — | — | FWTF04 |
| 07076A | 280 | 11 | 1-1/4 | 10 | MC361 | — | — | — | FWTF01 |
| 07076 | 280 | 11 | 1-1/4 | 10 | MC361 | — | — | — | FWTF01 |
| 07131B | 311 | 12-1/4 | 1-1/4 | 10 | MC361 | — | — | — | FWFMC128 |
| 07131A | 311 | 12-1/4 | 1-1/4 | 10 | MC361 | — | — | — | FWFMC127 |
| 07131 | 311 | 12-1/4 | 1-1/4 | 10 | MC361 | — | — | — | FWFMC127 |
| 07131A | 311 | 12-1/4 | 1-1/4 | 10 | MC429 | SC735 | — | — | FWFMC127 |
| 07131B | 311 | 12-1/4 | 1-1/4 | 10 | MC429 | SC735 | — | — | FWFMC128 |
| 07131 | 311 | 12-1/4 | 1-1/4 | 10 | MC429 | SC735 | — | — | FWFMC127 |
| KFM18A | 330 | 13 | 1-1/4 | 10 | MC429 | SC735 | — | — | FWFMC140 |
| KFM18 | 330 | 13 | 1-1/4 | 10 | MC429 | SC735 | — | — | FWFMC140 |
| FMK1007 | 330 | 13 | 1-1/4 | 10 | MC429 | SC735 | — | — | FWFMC140 |
| 07100B | 302 | 11-7/8 | 1-1/4 | 10 | MC429 | SC735 | — | — | FWTF05 |
| 07100A | 302 | 11-7/8 | 1-1/4 | 10 | MC429 | SC735 | — | — | FWTF04 |
| 07100 | 302 | 11-7/8 | 1-1/4 | 10 | MC429 | SC735 | — | — | FWTF04 |
| 07076A | 280 | 11 | 1-1/4 | 10 | MC429 | SC735 | — | — | FWTF01 |
| 07076 | 280 | 11 | 1-1/4 | 10 | MC429 | SC735 | — | — | FWTF01 |
| 07131B | 311 | 12-1/4 | 1-1/4 | 10 | MC429 | SC735 | — | — | FWFMC128 |
| KFM18 | 330 | 13 | 1-1/4 | 10 | MC429 | SC735 | — | — | FWFMC140 |
| KFM18A | 330 | 13 | 1-1/4 | 10 | MC429 | SC735 | — | — | FWFMC140 |
| KFM15A | 330 | 13 | 1-1/4 | 10 | MC429 | SC735 | — | — | FWFMC445 |

1

| Liter | CC/IN | Cyl | Years | | Application Information |
|--|-------|-----|-------|------|--|
| | | | To | From | |
| FORD TRUCK, SUV & VAN CONT. | | | | | |
| <i>BRONCO, F100-550 CONT.</i> | | | | | |
| 7.3 | 445 | V8 | 1993 | 1994 | Diesel, With Indirect Fuel Injection, 8th Digit of VIN# M, Non-Turbo and Aftermarket Turbo, LUK type solid flywheel replacement, kit contains flywheel. |
| 7.3 | 445 | V8 | 1993 | 1994 | Diesel, With Indirect Fuel Injection, 8th Digit of VIN# M, Non-Turbo and Aftermarket Turbo, LUK type solid flywheel replacement, kit does not contain flywheel. |
| 7.3 | 445 | V8 | 1993 | 1994 | Turbo Diesel, 5 Spd with Indirect Fuel Injection, VIN K. LUK Type Solid Flywheel and mounting bolts included. |
| 7.3 | 445 | V8 | 1993 | 1994 | Turbo Diesel, 5 Spd with Indirect Fuel Injection. Valeo Type Solid Flywheel Replacement Kit Includes Flywheel and Mounting Bolts. |
| 7.3 | 445 | V8 | 1994 | 1994 | Diesel with Direct Fuel Injection, 8th digit of VIN # F, Non-Turbo and Factory Turbo, LUK type solid flywheel replacement, kit does not contain flywheel. |
| 7.3 | 445 | V8 | 1994 | 1994 | Diesel with Direct Fuel Injection, Factory Turbo, 8th Digit of VIN F. LUK type solid flywheel replacement kit contains solid flywheel and mounting bolts. Must be used as matched set. |
| 7.3 | 445 | V8 | 1994 | 1994 | Diesel with Direct Fuel Injection, Factory Turbo, with DMF. Heavy Duty 12" option. Valeo type DMF included. |
| 7.3 | 445 | V8 | 1994 | 1994 | Diesel with Direct Fuel Injection, Non-Turbo and Aftermarket Turbo, with DMF. Heavy Duty 12" option with rigid disc. Valeo type DMF included. |
| 7.3 | 445 | V8 | 1994 | 1994 | Diesel with Direct Fuel Injection, Non-Turbo and Aftermarket Turbo, with DMF. Valeo type DMF included. |
| 7.3 | 445 | V8 | 1994 | 1994 | Diesel with Direct Fuel Injection, Non-Turbo and Aftermarket Turbo, with DMF. Valeo type DMF not included. |
| 7.3 | 445 | V8 | 1994 | 1994 | Diesel with Direct Fuel Injection, Non-Turbo and Factory Turbo, 8th Digit of VIN F. LUK type solid flywheel replacement kit contains solid flywheel and mounting bolts. Must be used as matched set. |
| 7.3 | 445 | V8 | 1994 | 1994 | Diesel with Indirect Fuel Injection, Factory Turbo, 8th Digit of VIN K. LUK type solid flywheel replacement kit contains solid flywheel and mounting bolts. Must be used as matched set. |
| 7.3 | 445 | V8 | 1994 | 1994 | Diesel, With Indirect Fuel Injection, 8th Digit of VIN# K, Factory Turbo, LUK type solid flywheel replacement, kit contains flywheel. |
| 7.3 | 445 | V8 | 1994 | 1994 | Diesel, With Indirect Fuel Injection, 8th Digit of VIN# K, Factory Turbo, LUK type solid flywheel replacement, kit does not contain flywheel. |
| 7.3 | 445 | V8 | 1994 | 1994 | Turbo Diesel with Direct Fuel Injection, Non-Turbo and Aftermarket Turbo, with DMF. Heavy Duty 12" option. Valeo type DMF not included. |
| 7.3 | 445 | V8 | 1994 | 1994 | Turbo Diesel, 5 Spd with Indirect Fuel Injection, VIN K. LUK Type Solid Flywheel not Included. Use this kit when solid flywheel is present. |
| 7.3 | 445 | V8 | 1994 | 1994 | Turbo, 5 Spd with Indirect Fuel Injection, VIN K. Exedy/Daikin type includes solid FW. Must be sold as matched set.. Economy version |
| 7.3 | 445 | V8 | 1994 | 1997 | Turbo Diesel, 5 Spd with Direct Fuel Injection, VIN F. LUK Type Solid Flywheel and mounting bolts included. |
| 7.3 | 445 | V8 | 1994 | 1997 | Turbo Diesel, 5 Spd with Direct Fuel Injection, VIN F. LUK Type Solid Flywheel not Included. Use this kit when solid flywheel is present. |
| 7.3 | 445 | V8 | 1994 | 1997 | Turbo Diesel, 5 Spd with Direct Fuel Injection. Valeo Type Solid Flywheel Replacement Kit Includes Flywheel and Mounting Bolts. |
| 7.3 | 445 | V8 | 1994 | 1997 | Turbo, 5 Spd with Direct Fuel Injection, VIN F. Exedy/Daikin type includes solid FW. Must be sold as matched set.. Economy version |
| 7.3 | 445 | V8 | 1995 | 1995 | Turbo Diesel, 5 Spd with Direct Fuel Injection and DMF. Valeo type DMF not included. |
| 7.3 | 445 | V8 | 1995 | 1997 | Turbo Diesel, 5 Spd with Direct Fuel Injection and DMF. Valeo type DMF included. |
| 7.3 | 445 | V8 | 1996 | 1997 | Turbo Diesel, 5 Spd with Direct Fuel Injection and DMF. Valeo type DMF not included. |
| 7.3 | 445 | V8 | 1999 | 2003 | Turbo Diesel, 6 Spd with direct fuel injection and LUK OE solid flywheel. LUK type solid flywheel is included. This kit must be installed as a matched set. |
| 7.3 | 445 | V8 | 1999 | 2003 | Turbo Diesel, 6 Spd with direct fuel injection and Valeo OE solid flywheel. Valeo type solid flywheel included. |
| 7.3 | 445 | V8 | 1999 | 2003 | Turbo Diesel, 6 Spd with direct fuel injection and Valeo OE solid flywheel. Valeo type solid flywheel not included. |
| 7.3 | 445 | V8 | 1999 | 2003 | Turbo Diesel, 6 Spd with direct fuel injection. Exedy/Daikin version includes solid FW. This kit must be installed as a matched set. Economy Version |
| 7.3 | 445 | V8 | 1999 | 2003 | Turbo Diesel, 6 Spd with direct fuel injection. Exedy/Daikin version includes solid FW. This kit must be installed as a matched set, HD Version contains Cushion Button disc suited for 680 ft. lbs./Torque at the wheel |
| 7.5 | 458 | V8 | 1973 | 1979 | — |
| 7.5 | 458 | V8 | 1983 | 1983 | 4 Spd with 11" Disc |
| 7.5 | 458 | V8 | 1983 | 1983 | 4 Spd with 12" Disc |
| 7.5 | 458 | V8 | 1984 | 1986 | 4 Spd with 11" Disc |
| 7.5 | 458 | V8 | 1984 | 1986 | 4 Spd with 12" Disc |
| 7.5 | 458 | V8 | 1984 | 1987 | 4 Spd with 11" Disc |
| 7.5 | 458 | V8 | 1984 | 1987 | 4 Spd with 12" Disc |
| 7.5 | 458 | V8 | 1987 | 1987 | 4 Spd with 11" Disc |
| 7.5 | 458 | V8 | 1987 | 1987 | 4 Spd with 12" Disc |
| 7.5 | 458 | V8 | 1988 | 1991 | — |
| 7.5 | 458 | V8 | 1992 | 1992 | — |
| 7.5 | 458 | V8 | 1993 | 1995 | — |
| 7.5 | 458 | V8 | 1996 | 1997 | — |



| Kit | Disc (mm) | Disc (in) | Spline Dia | Splines | Master Cyl | Slave Cyl | Clutch Cable | Clutch Fork | New Flywheel |
|-----------|-----------|-----------|------------|---------|------------|-----------|--------------|-------------|--------------|
| 07131A | 311 | 12-1/4 | 1-1/4 | 10 | MC429 | SC735 | — | — | FWFMC127 |
| 07131 | 311 | 12-1/4 | 1-1/4 | 10 | MC429 | SC735 | — | — | FWFMC127 |
| KFM18A | 330 | 13 | 1-1/4 | 10 | MC429 | SC735 | — | — | FWFMC140 |
| KFM15A | 330 | 13 | 1-1/4 | 10 | MC429 | SC735 | — | — | FWFMC445 |
| 07131 | 311 | 12-1/4 | 1-1/4 | 10 | MC429 | SC735 | — | — | FWFMC127 |
| 07131A | 311 | 12-1/4 | 1-1/4 | 10 | MC429 | SC735 | — | — | FWFMC127 |
| 07100B | 302 | 11-7/8 | 1-1/4 | 10 | MC429 | SC735 | — | — | FWFTF05 |
| 07100A | 302 | 11-7/8 | 1-1/4 | 10 | MC429 | SC735 | — | — | FWFTF04 |
| 07076A | 280 | 11 | 1-1/4 | 10 | MC429 | SC735 | — | — | FWFTF01 |
| 07076 | 280 | 11 | 1-1/4 | 10 | MC429 | SC735 | — | — | FWFTF01 |
| 07131B | 311 | 12-1/4 | 1-1/4 | 10 | MC429 | SC735 | — | — | FWFMC128 |
| 07131A | 311 | 12-1/4 | 1-1/4 | 10 | MC429 | SC735 | — | — | FWFMC127 |
| 07131B | 311 | 12-1/4 | 1-1/4 | 10 | MC429 | SC735 | — | — | FWFMC128 |
| 07131 | 311 | 12-1/4 | 1-1/4 | 10 | MC429 | SC735 | — | — | FWFMC127 |
| 07100 | 302 | 11-7/8 | 1-1/4 | 10 | MC429 | SC735 | — | — | FWFTF04 |
| KFM18 | 330 | 13 | 1-1/4 | 10 | MC429 | SC735 | — | — | FWFMC140 |
| FMK1007 | 330 | 13 | 1-1/4 | 10 | MC429 | SC735 | — | — | FWFMC140 |
| KFM18A | 330 | 13 | 1-1/4 | 10 | MC429 | SC735 | — | — | FWFMC140 |
| KFM18 | 330 | 13 | 1-1/4 | 10 | MC429 | SC735 | — | — | FWFMC140 |
| KFM15A | 330 | 13 | 1-1/4 | 10 | MC429 | SC735 | — | — | FWFMC445 |
| FMK1007 | 330 | 13 | 1-1/4 | 10 | MC429 | SC735 | — | — | FWFMC140 |
| 07127 | 311 | 12-1/4 | 1-1/4 | 10 | MC429 | SC729 | — | — | FWFTF02 |
| 07127A | 311 | 12-1/4 | 1-1/4 | 10 | MC361 | SC729 | — | — | FWFTF02 |
| 07127 | 311 | 12-1/4 | 1-1/4 | 10 | MC361 | SC729 | — | — | FWFTF02 |
| KFM16A | 330 | 13 | 1-3/8 | 10 | MC356 | SC738 | — | — | FWFMC140 |
| KFM17A | 330 | 13 | 1-3/8 | 10 | MC356 | SC738 | — | — | FWFMC445 |
| KFM17 | 330 | 13 | 1-3/8 | 10 | MC356 | SC738 | — | — | FWFMC445 |
| FMK1008 | 330 | 13 | 1-3/8 | 10 | MC356 | SC738 | — | — | FWFMC140M |
| FMK1008HD | 330 | 13 | 1-3/8 | 10 | MC356 | SC738 | — | — | FWFMC140M |
| 07050 | 302 | 11-7/8 | 1-1/16 | 10 | — | — | — | — | — |
| 07022 | 280 | 11 | 1-1/16 | 10 | MC357 | SC729 | — | — | — |
| 07065 | 302 | 11-7/8 | 1-1/16 | 10 | MC357 | SC729 | — | — | FWFM109 |
| 07022 | 280 | 11 | 1-1/16 | 10 | MC442 | SC886 | — | — | — |
| 07065 | 302 | 11-7/8 | 1-1/16 | 10 | MC442 | SC886 | — | — | FWFM109 |
| 07022 | 280 | 11 | 1-1/16 | 10 | — | — | — | — | — |
| 07065 | 302 | 11-7/8 | 1-1/16 | 10 | — | — | — | — | FWFM109 |
| 07022 | 280 | 11 | 1-1/16 | 10 | MC443 | SC886 | — | — | — |
| 07065 | 302 | 11-7/8 | 1-1/16 | 10 | MC443 | SC886 | — | — | FWFM109 |
| 07035 | 305 | 12 | 1-1/4 | 10 | MC355 | SC729 | — | — | FWFM110 |
| 07035 | 305 | 12 | 1-1/4 | 10 | MC429 | SC729 | — | — | FWFM110 |
| 07092 | 311 | 12-1/4 | 1-1/4 | 10 | MC429 | SC735 | — | — | — |
| 07092 | 311 | 12-1/4 | 1-1/4 | 10 | MC361 | SC737 | — | — | — |

1

| Liter | CC/IN | Cyl | Years | | Application Information |
|--|-------|-----|-------|------|--|
| | | | To | From | |
| FORD TRUCK, SUV & VAN CONT. | | | | | |
| <i>COURIER</i> | | | | | |
| 1.8 | 110 | L4 | 1972 | 1974 | — |
| <i>E100-350</i> | | | | | |
| 2.8 | 171 | L6 | 1968 | 1971 | — |
| 3.9 | 238 | L6 | 1967 | 1967 | — |
| 3.9 | 238 | L6 | 1968 | 1974 | — |
| 4.9 | 299 | L6 | 1972 | 1972 | 11" Disc |
| 4.9 | 299 | L6 | 1973 | 1974 | 11" Disc |
| 4.9 | 299 | L6 | 1975 | 1977 | 11" Disc |
| 4.9 | 299 | L6 | 1978 | 1979 | 11" Disc |
| 4.9 | 299 | L6 | 1980 | 1982 | 11" Disc |
| 4.9 | 299 | L6 | 1981 | 1982 | 10" Disc |
| 4.9 | 299 | L6 | 1983 | 1983 | 10" Disc |
| 4.9 | 299 | L6 | 1983 | 1983 | 11" Disc |
| 4.9 | 299 | L6 | 1984 | 1984 | 11" Disc |
| 4.9 | 299 | L6 | 1984 | 1987 | 10" Disc |
| 4.9 | 299 | L6 | 1985 | 1986 | 11" Disc |
| 4.9 | 299 | L6 | 1986 | 1986 | 11" Disc |
| 4.9 | 299 | L6 | 1986 | 1987 | 10" Disc |
| 4.9 | 299 | L6 | 1988 | 1989 | 10" Disc |
| 4.9 | 299 | L6 | 1988 | 1989 | 11" Disc |
| 5.0 | 302 | V8 | 1968 | 1974 | — |
| 5.0 | 302 | V8 | 1975 | 1975 | — |
| 5.0 | 302 | V8 | 1979 | 1979 | — |
| 5.0 | 302 | V8 | 1980 | 1982 | 10" Disc |
| 5.0 | 302 | V8 | 1980 | 1982 | 11" Disc |
| 5.0 | 302 | V8 | 1983 | 1983 | 10" Disc |
| 5.0 | 302 | V8 | 1983 | 1983 | 11" Disc |
| 5.0 | 302 | V8 | 1984 | 1986 | 10" Disc |
| 5.0 | 302 | V8 | 1984 | 1986 | 11" Disc |
| 5.0 | 302 | V8 | 1987 | 1987 | — |
| 5.0 | 302 | V8 | 1988 | 1989 | — |
| 5.8 | 354 | V8 | 1975 | 1977 | — |
| 5.8 | 354 | V8 | 1978 | 1978 | — |
| 5.8 | 354 | V8 | 1979 | 1979 | — |
| 5.8 | 354 | V8 | 1980 | 1982 | — |
| 5.8 | 354 | V8 | 1983 | 1983 | — |
| 5.8 | 354 | V8 | 1984 | 1986 | 10" Disc |
| 5.8 | 354 | V8 | 1984 | 1986 | 11" Disc |
| 5.8 | 354 | V8 | 1986 | 1986 | 10" Disc |
| 5.8 | 354 | V8 | 1986 | 1986 | 11" Disc |
| 5.8 | 354 | V8 | 1987 | 1987 | — |
| 5.8 | 354 | V8 | 1987 | 1987 | — |
| 5.8 | 354 | V8 | 1988 | 1989 | — |
| 5.8 | 354 | V8 | 1988 | 1989 | — |
| 6.0 | 366 | V8 | 2004 | 2007 | Turbo Diesel, Suits Solid FW, Sold as Kit Only |
| 6.8 | 415 | V10 | 1999 | 2007 | Sold as Kit Only |
| <i>ESCAPE</i> | | | | | |
| 2.0 | 122 | L4 | 2001 | 2004 | — |
| 2.3 | 140 | L4 | 2005 | 2008 | Sold as Kit Only |
| <i>EXCURSION</i> | | | | | |
| 6.0 | 366 | V8 | 2004 | 2005 | Turbo Diesel, Suits Solid FW, Sold as Kit Only |
| 6.8 | 415 | V10 | 2000 | 2005 | Sold as Kit Only |
| <i>EXPLORER</i> | | | | | |
| 4.0 | 244 | V6 | 1991 | 1991 | — |
| 4.0 | 244 | V6 | 1992 | 1992 | — |
| 4.0 | 244 | V6 | 1993 | 1994 | — |
| 4.0 | 244 | V6 | 1995 | 1997 | — |
| 4.0 | 244 | V6 | 1998 | 1999 | Self Adjusting Clutch |
| 4.0 | 244 | V6 | 2000 | 2000 | Self Adjusting Clutch |
| 4.0 | 244 | V6 | 2001 | 2003 | — |



| Kit | Disc (mm) | Disc (in) | Spline Dia | Splines | Master Cyl | Slave Cyl | Clutch Cable | Clutch Fork | New Flywheel |
|---------|-----------|-----------|------------|---------|------------|-----------|--------------|-------------|--------------|
| 07021 | 215 | 8-1/2 | 15/16 | 22 | MC477 | SC830 | — | — | — |
| 07014 | 254 | 10 | 1-1/16 | 10 | — | SC846 | — | — | — |
| 07014 | 254 | 10 | 1-1/16 | 10 | — | — | — | — | — |
| 07027 | 280 | 11 | 1-1/16 | 10 | — | — | — | — | — |
| 07027 | 280 | 11 | 1-1/16 | 10 | — | — | — | — | — |
| 07027 | 280 | 11 | 1-1/16 | 10 | — | — | — | CF101 | — |
| 07027 | 280 | 11 | 1-1/16 | 10 | — | — | — | CF102 | — |
| 07015 | 280 | 11 | 1-1/16 | 10 | — | — | — | CF102 | — |
| 07015 | 280 | 11 | 1-1/16 | 10 | — | — | — | — | FWFM117 |
| 07014 | 254 | 10 | 1-1/16 | 10 | — | — | — | — | FWFM117 |
| 07016 | 254 | 10 | 1-1/16 | 10 | — | SC728 | — | — | FWFM117 |
| 07013 | 280 | 11 | 1-1/16 | 10 | — | — | — | — | FWFM117 |
| 07032 | 280 | 11 | 1-1/16 | 10 | MC438 | SC728 | — | CF117 | FWFM117 |
| 07016 | 254 | 10 | 1-1/16 | 10 | MC438 | SC728 | — | CF117 | FWFM117 |
| KFM04 | 280 | 11 | 1-1/16 | 10 | MC438 | SC728 | — | CF117 | FWFM117 |
| KFM04 | 280 | 11 | 1-1/16 | 10 | MC356 | SC728 | — | CF117 | FWFM117 |
| 07016 | 254 | 10 | 1-1/16 | 10 | MC356 | SC728 | — | CF117 | FWFM117 |
| 07056 | 254 | 10 | 1-1/16 | 10 | MC438 | SC783 | — | CF117 | FWFM117 |
| 07057 | 280 | 11 | 1-1/16 | 10 | MC438 | SC783 | — | CF117 | FWFM117 |
| 07027 | 280 | 11 | 1-1/16 | 10 | — | — | — | — | FWFM116 |
| 07027 | 280 | 11 | 1-1/16 | 10 | — | — | — | CF102 | FWFM116 |
| 07015 | 280 | 11 | 1-1/16 | 10 | — | — | — | — | — |
| 07014 | 254 | 10 | 1-1/16 | 10 | — | — | — | — | — |
| 07015 | 280 | 11 | 1-1/16 | 10 | — | — | — | — | FWFM116 |
| 07016 | 254 | 10 | 1-1/16 | 10 | — | — | — | — | — |
| 07013 | 280 | 11 | 1-1/16 | 10 | — | SC728 | — | — | FWFM116 |
| 07016 | 254 | 10 | 1-1/16 | 10 | MC438 | SC788 | — | — | — |
| 07013 | 280 | 11 | 1-1/16 | 10 | MC438 | SC728 | — | — | FWFM116 |
| 07032 | 280 | 11 | 1-1/16 | 10 | MC438 | SC728 | — | — | FWFM116 |
| 07057 | 280 | 11 | 1-1/16 | 10 | MC438 | SC783 | — | — | — |
| 07027 | 280 | 11 | 1-1/16 | 10 | — | SC846 | — | — | — |
| 07015 | 280 | 11 | 1-1/16 | 10 | — | — | — | — | FWFM116 |
| 07015 | 280 | 11 | 1-1/16 | 10 | — | — | — | CF102 | FWFM116 |
| 07015 | 280 | 11 | 1-1/16 | 10 | — | — | — | CF107 | FWFM116 |
| 07013 | 280 | 11 | 1-1/16 | 10 | — | — | — | — | FWFM116 |
| 07016 | 254 | 10 | 1-1/16 | 10 | MC438 | SC728 | — | — | — |
| 07022 | 280 | 11 | 1-1/16 | 10 | MC438 | SC728 | — | — | FWFM116 |
| 07016 | 254 | 10 | 1-1/16 | 10 | MC356 | SC728 | — | — | — |
| 07022 | 280 | 11 | 1-1/16 | 10 | MC356 | SC728 | — | — | FWFM116 |
| KFM04 | 280 | 11 | 1-1/16 | 10 | MC356 | SC728 | — | — | FWFM116 |
| KFM04 | 280 | 11 | 1-1/16 | 10 | MC438 | SC728 | — | — | FWFM116 |
| 07057 | 280 | 11 | 1-1/16 | 10 | — | SC728 | — | — | — |
| 07057 | 280 | 11 | 1-1/16 | 10 | MC438 | SC728 | — | — | — |
| FMK1016 | 330 | 13 | 1-3/8 | 10 | — | — | — | — | FWFMF08 |
| FMK1018 | 305 | 11-15/16 | 1-1/4 | 10 | — | SC739 | — | — | — |
| KFM16 | 225 | 8-7/8 | 15/16 | 22 | MC370 | SC740 | — | — | — |
| FMK1019 | 240 | 9-7/16 | 1 | 23 | — | — | — | — | — |
| FMK1016 | 330 | 13 | 1-3/8 | 10 | — | — | — | — | FWFMF08 |
| FMK1018 | 305 | 11-15/16 | 1-1/4 | 10 | — | SC739 | — | — | — |
| 07077 | 254 | 10 | 1-1/16 | 23 | MC353 | SC783 | — | — | — |
| 07077 | 254 | 10 | 1-1/16 | 23 | MC359 | SC783 | — | — | — |
| 07096 | 254 | 10 | 1-1/16 | 23 | MC364 | SC778 | — | — | — |
| 07096 | 254 | 10 | 1-1/16 | 23 | MC367 | SC778 | — | — | — |
| 07139 | 257 | 10-1/8 | 1-1/16 | 23 | MC367 | SC778 | — | — | — |
| 07139 | 257 | 10-1/8 | 1-1/16 | 23 | MC367 | SC778 | — | — | — |
| FMK1000 | 257 | 10-1/8 | 1 | 23 | MC367 | SC778 | — | — | — |

1

| Liter | CC/IN | Cyl | Years | | Application Information |
|-------|-------|-----|-------|------|-------------------------|
| | | | To | From | |

FORD TRUCK, SUV & VAN CONT.

P100-350

| | | | | | |
|-----|-----|----|------|------|---|
| 2.8 | 171 | L6 | 1965 | 1967 | — |
| 3.9 | 238 | L6 | 1968 | 1972 | — |
| 4.9 | 299 | L6 | 1968 | 1972 | — |
| 4.9 | 299 | L6 | 1973 | 1977 | — |

RANGER

| | | | | | |
|-----|-----|----|------|------|--|
| 2.0 | 122 | L4 | 1983 | 1984 | — |
| 2.0 | 122 | L4 | 1985 | 1987 | — |
| 2.0 | 122 | L4 | 1988 | 1988 | — |
| 2.2 | 134 | L4 | 1983 | 1984 | Diesel |
| 2.3 | 140 | L4 | 1983 | 1984 | — |
| 2.3 | 140 | L4 | 1985 | 1987 | — |
| 2.3 | 140 | L4 | 1985 | 1987 | Turbo Diesel |
| 2.3 | 140 | L4 | 1988 | 1991 | Non Pre-Damped |
| 2.3 | 140 | L4 | 1988 | 1991 | Pre-Damped |
| 2.3 | 140 | L4 | 1992 | 1992 | Non Pre-Damped |
| 2.3 | 140 | L4 | 1992 | 1992 | Pre-Damped |
| 2.3 | 140 | L4 | 1993 | 1994 | — |
| 2.3 | 140 | L4 | 1995 | 2008 | Non-Self Adjusting Clutch, EXEDY Economy version |
| 2.3 | 140 | L4 | 1995 | 2008 | Self Adjusting Clutch |
| 2.5 | 153 | L4 | 1998 | 2004 | Non-Self Adjusting Clutch, EXEDY Economy version |
| 2.5 | 153 | L4 | 1998 | 2004 | Self Adjusting Clutch |
| 2.8 | 171 | V6 | 1983 | 1983 | — |
| 2.8 | 171 | V6 | 1984 | 1984 | — |
| 2.8 | 171 | V6 | 1985 | 1985 | — |
| 2.9 | 177 | V6 | 1986 | 1987 | — |
| 2.9 | 177 | V6 | 1988 | 1991 | — |
| 2.9 | 177 | V6 | 1992 | 1992 | — |
| 3.0 | 183 | V6 | 1991 | 1991 | — |
| 3.0 | 183 | V6 | 1992 | 1992 | — |
| 3.0 | 183 | V6 | 1993 | 1994 | To Oct 31/1994 |
| 3.0 | 183 | V6 | 1995 | 2007 | Non-Self Adjusting Clutch, EXEDY Economy version |
| 3.0 | 183 | V6 | 1995 | 2007 | Self Adjusting Clutch |
| 4.0 | 244 | V6 | 1990 | 1991 | — |
| 4.0 | 244 | V6 | 1992 | 1992 | — |
| 4.0 | 244 | V6 | 1993 | 1994 | — |
| 4.0 | 244 | V6 | 1995 | 1997 | — |
| 4.0 | 244 | V6 | 1998 | 2000 | Self Adjusting Clutch |
| 4.0 | 244 | V6 | 2001 | 2008 | Self Adjusting Clutch |

GEO (Performance Applications Available)

METRO

| | | | | | |
|-----|----|----|------|------|---|
| 1.0 | 61 | L3 | 1989 | 1997 | — |
| 1.3 | 79 | L4 | 1995 | 1997 | — |

PRIZM

| | | | | | |
|-----|-----|----|------|------|--------------------------------------|
| 1.6 | 98 | L4 | 1989 | 1989 | DOHC |
| 1.6 | 98 | L4 | 1989 | 1989 | SOHC |
| 1.6 | 98 | L4 | 1990 | 1990 | DOHC |
| 1.6 | 98 | L4 | 1990 | 1991 | SOHC, To 4/30/91 |
| 1.6 | 98 | L4 | 1991 | 1991 | 8th Digit of VIN # is 5, from 5/1/91 |
| 1.6 | 98 | L4 | 1991 | 1992 | 8th Digit of VIN # is 6, from 5/1/91 |
| 1.6 | 98 | L4 | 1991 | 1992 | SOHC, From 5/1/91 |
| 1.6 | 98 | L4 | 1992 | 1992 | 8th Digit of VIN # is 5, from 5/1/91 |
| 1.6 | 98 | L4 | 1993 | 1997 | — |
| 1.8 | 110 | L4 | 1993 | 1997 | — |

| Kit | Disc (mm) | Disc (in) | Spline Dia | Splines | Master Cyl | Slave Cyl | Clutch Cable | Clutch Fork | New Flywheel |
|---------|-----------|-----------|------------|---------|------------|-----------|--------------|-------------|--------------|
| 07014 | 254 | 10 | 1-1/16 | 10 | — | SC846 | — | — | — |
| 07027 | 280 | 11 | 1-1/16 | 10 | — | SC846 | — | — | — |
| 07027 | 280 | 11 | 1-1/16 | 10 | — | — | — | — | — |
| 07027 | 280 | 11 | 1-1/16 | 10 | — | — | — | CF101 | — |
| 07041 | 225 | 8-7/8 | 1 | 23 | MC352 | SC729 | — | — | — |
| 07048 | 225 | 8-7/8 | 1 | 23 | MC352 | SC732 | — | — | — |
| 07054 | 225 | 8-7/8 | 1 | 23 | MC353 | SC783 | — | — | — |
| 10008 | 225 | 8-7/8 | 15/16 | 22 | MC352 | SC730 | — | — | — |
| 07041 | 225 | 8-7/8 | 1 | 23 | MC352 | SC700 | — | — | FWFM122 |
| 07048 | 225 | 8-7/8 | 1 | 23 | MC352 | SC732 | — | — | FWFM122 |
| 07048 | 225 | 8-7/8 | 1 | 23 | MC352 | SC732 | — | — | FWFM122 |
| 07054 | 225 | 8-7/8 | 1 | 23 | MC353 | SC783 | — | — | FWFM122 |
| 07132 | 225 | 8-7/8 | 1 | 23 | MC353 | SC783 | — | — | FWFM122 |
| 07054 | 225 | 8-7/8 | 1 | 23 | MC358 | SC783 | — | — | FWFM122 |
| 07132 | 225 | 8-7/8 | 1 | 23 | MC358 | SC783 | — | — | FWFM122 |
| 07093 | 225 | 8-7/8 | 1 | 23 | MC365 | SC778 | — | — | — |
| KFM07 | 225 | 8-7/8 | 1 | 23 | MC367 | SC778 | — | — | — |
| KFM30 | 225 | 8-7/8 | 1 | 23 | MC367 | SC778 | — | — | — |
| KFM07 | 225 | 8-7/8 | 1 | 23 | MC367 | SC778 | — | — | — |
| KFM30 | 225 | 8-7/8 | 1 | 23 | MC367 | SC778 | — | — | — |
| 07041 | 225 | 8-7/8 | 1 | 23 | MC352 | SC700 | — | — | FWFM122 |
| 07041 | 225 | 8-7/8 | 1 | 23 | MC352 | SC732 | — | — | — |
| 07048 | 225 | 8-7/8 | 1 | 23 | MC352 | SC732 | — | — | — |
| 07048 | 225 | 8-7/8 | 1 | 23 | MC352 | SC732 | — | — | — |
| 07054 | 225 | 8-7/8 | 1 | 23 | MC353 | SC783 | — | — | — |
| 07054 | 225 | 8-7/8 | 1 | 23 | MC358 | SC783 | — | — | — |
| 07054 | 225 | 8-7/8 | 1 | 23 | MC353 | SC783 | — | — | — |
| 07054 | 225 | 8-7/8 | 1 | 23 | MC359 | SC783 | — | — | — |
| 07099 | 225 | 8-7/8 | 1 | 23 | MC364 | SC738 | — | — | — |
| KFM06 | 228 | 9 | 1 | 23 | MC367 | SC778 | — | — | — |
| KFM30 | 228 | 9 | 1 | 23 | MC367 | SC778 | — | — | — |
| 07077 | 254 | 10 | 1-1/16 | 23 | MC353 | SC778 | — | — | — |
| 07077 | 254 | 10 | 1-1/16 | 23 | MC359 | SC778 | — | — | — |
| 07096 | 254 | 10 | 1-1/16 | 23 | MC364 | SC778 | — | — | — |
| 07096 | 254 | 10 | 1-1/16 | 23 | MC367 | SC778 | — | — | — |
| 07139 | 257 | 10-1/8 | 1-1/16 | 23 | MC367 | SC778 | — | — | — |
| FMK1000 | 257 | 10-1/8 | 1 | 23 | MC367 | SC778 | — | — | — |
| 04124 | 170 | 6-11/16 | 3/4 | 18 | — | — | — | — | — |
| 04100 | 190 | 7-1/2 | 3/4 | 18 | — | — | — | — | — |
| 16074 | 210 | 8-1/4 | 1 | 21 | MC251 | SC818 | — | — | — |
| 16070 | 200 | 7-7/8 | 15/16 | 21 | MC251 | SC818 | — | — | — |
| 16074 | 210 | 8-1/4 | 1 | 21 | MC265 | SC660 | — | — | — |
| 16070 | 200 | 7-7/8 | 15/16 | 21 | MC251 | SC660 | — | — | — |
| KTY03 | 210 | 8-1/4 | 1 | 21 | MC265 | SC660 | — | — | — |
| 04152 | 200 | 7-7/8 | 15/16 | 21 | MC265 | SC660 | — | — | — |
| KTY06 | 200 | 7-7/8 | 15/16 | 21 | MC265 | SC660 | — | — | — |
| 16074 | 210 | 8-1/4 | 1 | 21 | MC265 | SC660 | — | — | — |
| KTY03 | 210 | 8-1/4 | 1 | 21 | MC265 | SC818 | — | — | — |
| KTY03 | 210 | 8-1/4 | 1 | 21 | MC265 | SC818 | — | — | — |

1

| Liter | CC/IN | Cyl | Years | | Application Information |
|-------|-------|-----|-------|------|-------------------------|
| | | | To | From | |

GEO (Performance Applications Available) CONT.

SPECTRUM

| | | | | | |
|-----|----|----|------|------|-----------|
| 1.5 | 92 | L4 | 1989 | 1989 | Non-Turbo |
| 1.5 | 92 | L4 | 1989 | 1989 | Turbo |

STORM

| | | | | | |
|-----|-----|----|------|------|---|
| 1.6 | 98 | L4 | 1990 | 1993 | — |
| 1.8 | 110 | L4 | 1992 | 1993 | — |

GEO SUV

TRACKER

| | | | | | |
|-----|----|----|------|------|--|
| 1.6 | 98 | L4 | 1989 | 1996 | |
|-----|----|----|------|------|--|

GMC LIGHT TRUCK, SUV & VAN

CABALLERO, SPRINT

| | | | | | |
|-----|-----|----|------|------|---|
| 3.3 | 201 | V6 | 1978 | 1978 | — |
| 3.3 | 201 | V6 | 1979 | 1979 | — |
| 3.8 | 232 | V6 | 1978 | 1978 | — |
| 3.8 | 232 | V6 | 1980 | 1981 | — |
| 4.1 | 250 | L6 | 1971 | 1972 | — |
| 4.1 | 250 | L6 | 1975 | 1977 | — |
| 5.0 | 305 | V8 | 1971 | 1973 | — |
| 5.0 | 305 | V8 | 1976 | 1978 | — |
| 5.0 | 305 | V8 | 1979 | 1981 | — |
| 5.7 | 348 | V8 | 1971 | 1975 | — |
| 5.7 | 348 | V8 | 1978 | 1978 | — |
| 6.6 | 403 | V8 | 1971 | 1972 | — |
| 7.4 | 452 | V8 | 1971 | 1973 | 12" Diaph Clutch |
| 7.4 | 452 | V8 | 1971 | 1973 | 12" Diaph Type Clutch with Ceramic Button |
| 7.4 | 452 | V8 | 1971 | 1975 | 11" Disc |
| 7.4 | 452 | V8 | 1974 | 1974 | 12" Diaph Clutch |
| 7.4 | 452 | V8 | 1974 | 1974 | 12" Diaph Type Clutch with Ceramic Button |
| 7.4 | 452 | V8 | 1975 | 1975 | 12" Diaph Clutch |
| 7.4 | 452 | V8 | 1975 | 1975 | 12" Diaph Type Clutch with Ceramic Button |

CANYON

| | | | | | |
|-----|-----|----|------|------|------------------|
| 2.8 | 171 | L4 | 2004 | 2006 | — |
| 3.5 | 214 | L5 | 2004 | 2006 | Sold as Kit Only |

G1500-3500 VAN

| | | | | | |
|-----|-----|----|------|------|---|
| 3.2 | 195 | L6 | 1966 | 1966 | 10" Disc |
| 3.2 | 195 | L6 | 1966 | 1966 | 11" Disc |
| 3.8 | 232 | L6 | 1964 | 1969 | 10" Disc |
| 3.8 | 232 | L6 | 1964 | 1969 | 11" Disc |
| 4.1 | 250 | L6 | 1967 | 1976 | 10" Disc |
| 4.1 | 250 | L6 | 1967 | 1976 | 11" Disc |
| 4.1 | 250 | L6 | 1977 | 1984 | 11" Disc |
| 4.1 | 250 | L6 | 1977 | 1984 | 12" Diaph Clutch |
| 4.1 | 250 | L6 | 1977 | 1984 | 12" Diaph Type Clutch with Ceramic Button |
| 4.3 | 262 | V6 | 1985 | 1986 | — |
| 4.3 | 262 | V6 | 1987 | 1987 | — |
| 4.6 | 281 | V8 | 1967 | 1967 | 11" Disc |
| 4.8 | 293 | L6 | 1974 | 1974 | 11" Disc |
| 4.8 | 293 | L6 | 1974 | 1978 | 12" Diaph Clutch |
| 4.8 | 293 | L6 | 1975 | 1978 | 11" Disc |
| 5.0 | 305 | V8 | 1968 | 1973 | — |
| 5.0 | 305 | V8 | 1977 | 1984 | 11" Disc |
| 5.0 | 305 | V8 | 1977 | 1984 | 12" Diaph Clutch |
| 5.0 | 305 | V8 | 1985 | 1986 | — |

| Kit | Disc (mm) | Disc (in) | Spline Dia | Splines | Master Cyl | Slave Cyl | Clutch Cable | Clutch Fork | New Flywheel |
|---------|-----------|-----------|------------|---------|------------|-----------|--------------|-------------|--------------|
| 04063 | 184 | 7-1/4 | 1 | 14 | — | — | — | — | — |
| 04099 | 215 | 8-1/2 | 1 | 14 | — | — | — | — | — |
| 04112 | 200 | 7-7/8 | 15/16 | 14 | — | — | — | — | — |
| 09017 | 215 | 8-1/2 | 1 | 14 | — | — | — | — | — |
| 04137 | 215 | 8-7/16 | 7/8 | 20 | — | — | CC809 | — | — |
| 04002 | 265 | 10-1/2 | 1-1/8 | 10 | — | — | — | — | — |
| 04021 | 265 | 10-1/2 | 1-1/8 | 10 | — | — | — | — | — |
| 04002 | 265 | 10-1/2 | 1-1/8 | 10 | — | — | — | — | — |
| 04021 | 265 | 10-1/2 | 1-1/8 | 10 | — | — | — | — | — |
| 04003 | 254 | 10 | 1-1/8 | 10 | — | — | — | — | FWFM101 |
| 04003 | 254 | 10 | 1-1/8 | 10 | — | — | — | — | FWFM101 |
| 04002 | 265 | 10-1/2 | 1-1/8 | 10 | — | — | — | — | — |
| 04002 | 265 | 10-1/2 | 1-1/8 | 10 | — | — | — | — | FWGM101 |
| 04021 | 265 | 10-1/2 | 1-1/8 | 10 | — | — | — | — | FWGM101 |
| 04021 | 265 | 10-1/2 | 1-1/8 | 10 | — | — | — | — | — |
| 04021 | 265 | 10-1/2 | 1-1/8 | 10 | — | — | — | — | FWGM101 |
| 04049 | 280 | 11 | 1-1/8 | 10 | — | — | — | — | FWGM100 |
| 04064 | 300 | 11-3/4 | 1-1/8 | 10 | — | — | — | — | — |
| 04105 | 300 | 11-3/4 | 1-1/8 | 10 | — | — | — | — | — |
| 04020 | 280 | 11 | 1-1/8 | 26 | — | — | — | — | — |
| 04064 | 300 | 11-3/4 | 1-1/8 | 10 | — | — | — | — | FWGM102 |
| 04105 | 300 | 11-3/4 | 1-1/8 | 10 | — | — | — | — | FWGM102 |
| 04064 | 300 | 11-3/4 | 1-1/8 | 10 | — | — | — | — | — |
| 04105 | 300 | 11-3/4 | 1-1/8 | 10 | — | — | — | — | — |
| GMK1015 | 263 | 10-3/8 | 1-1/8 | 26 | MC462 | SC809 | — | — | — |
| GMK1028 | 265 | 10-7/16 | 1-3/16 | 26 | MC462 | SC809 | — | — | — |
| 04003 | 254 | 10 | 1-1/8 | 10 | — | — | — | — | — |
| 04072 | 280 | 11 | 1-1/8 | 10 | — | — | — | — | — |
| 04003 | 254 | 10 | 1-1/8 | 10 | — | — | — | — | — |
| 04072 | 280 | 11 | 1-1/8 | 10 | — | — | — | — | — |
| 04003 | 254 | 10 | 1-1/8 | 10 | — | — | — | — | FWGM101 |
| 04072 | 280 | 11 | 1-1/8 | 10 | — | — | — | — | — |
| 04049 | 280 | 11 | 1-1/8 | 10 | — | — | — | — | — |
| 04064 | 300 | 11-3/4 | 1-1/8 | 10 | — | — | — | — | — |
| 04105 | 300 | 11-3/4 | 1-1/8 | 10 | — | — | — | — | — |
| 04089 | 280 | 11 | 1-1/8 | 10 | MC309 | SC827 | — | — | — |
| 04089 | 280 | 11 | 1-1/8 | 10 | — | — | — | — | — |
| 04072 | 280 | 11 | 1-1/8 | 10 | — | — | — | — | — |
| 04049 | 280 | 11 | 1-1/8 | 10 | — | — | — | — | — |
| 04064 | 300 | 11-3/4 | 1-1/8 | 10 | — | — | — | — | — |
| 04049 | 280 | 11 | 1-1/8 | 10 | — | — | — | — | FWGM104 |
| 04049 | 280 | 11 | 1-1/8 | 10 | — | — | — | — | — |
| 04049 | 280 | 11 | 1-1/8 | 10 | — | — | — | — | — |
| 04064 | 300 | 11-3/4 | 1-1/8 | 10 | — | — | — | — | — |
| 04121 | 280 | 11 | 1-1/8 | 10 | MC309 | SC827 | — | — | — |

1

| Liter | CC/IN | Cyl | Years | | Application Information |
|-------|-------|-----|-------|------|-------------------------|
| | | | To | From | |

GMC LIGHT TRUCK, SUV & VAN CONT.

G1500-3500 VAN CONT.

1

| | | | | | |
|-----|-----|----|------|------|---|
| 5.0 | 305 | V8 | 1987 | 1987 | — |
| 5.0 | 305 | V8 | 1988 | 1990 | — |
| 5.4 | 330 | V8 | 1967 | 1967 | 12" Lever Type Clutch |
| 5.7 | 348 | V8 | 1970 | 1984 | 11" Disc |
| 5.7 | 348 | V8 | 1970 | 1984 | 12" Diaph Clutch |
| 5.7 | 348 | V8 | 1970 | 1984 | 12" Diaph Type Clutch with Ceramic Button |
| 5.7 | 348 | V8 | 1985 | 1985 | 12" Diaph Clutch, Non-Pre Damped |
| 5.7 | 348 | V8 | 1985 | 1985 | Pre-Damped |
| 5.7 | 348 | V8 | 1986 | 1987 | 12" Diaph Clutch, Non-Pre Damped |
| 5.7 | 348 | V8 | 1986 | 1987 | Pre-Damped |
| 5.7 | 348 | V8 | 1988 | 1990 | 12" Diaph Clutch, Non-Pre Damped |
| 5.7 | 348 | V8 | 1988 | 1990 | Pre-Damped |
| 6.2 | 378 | V8 | 1983 | 1984 | Diesel, Non Pre-Damped |
| 6.2 | 378 | V8 | 1983 | 1984 | Diesel, Pre-Damped |
| 6.2 | 378 | V8 | 1985 | 1986 | Diesel, Non Pre-Damped |
| 6.2 | 378 | V8 | 1985 | 1986 | Diesel, Pre-Damped |
| 6.2 | 378 | V8 | 1987 | 1987 | Diesel, Non Pre-Damped |
| 6.2 | 378 | V8 | 1987 | 1987 | Diesel, Pre-Damped |
| 6.2 | 378 | V8 | 1988 | 1990 | Diesel, Non Pre-Damped |
| 6.2 | 378 | V8 | 1988 | 1990 | Diesel, Pre-Damped |
| 6.6 | 403 | V8 | 1978 | 1980 | — |
| 7.4 | 452 | V8 | 1975 | 1976 | 12" Diaph Clutch, Non-Pre Damped |
| 7.4 | 452 | V8 | 1975 | 1976 | Pre-Damped |
| 7.4 | 452 | V8 | 1988 | 1990 | 12" Diaph Clutch, Non-Pre Damped |
| 7.4 | 452 | V8 | 1988 | 1990 | Pre-Damped |

JIMMY (FULL SIZE), C1500-3500, K1500-3500, R1500-3500, V1500-3500

| | | | | | |
|-----|-----|----|------|------|---------------------------------------|
| 3.8 | 232 | L6 | 1966 | 1969 | 10" Disc |
| 3.8 | 232 | L6 | 1966 | 1969 | 11" Disc |
| 4.1 | 250 | L6 | 1966 | 1976 | 10" Disc |
| 4.1 | 250 | L6 | 1966 | 1976 | 11" Disc |
| 4.1 | 250 | L6 | 1977 | 1984 | 11" Disc |
| 4.1 | 250 | L6 | 1977 | 1984 | 12" Diaph Clutch |
| 4.1 | 250 | L6 | 1977 | 1984 | 12" Diaph Clutch with Ceramic Button |
| 4.1 | 250 | L6 | 1977 | 1984 | 12" Lever Clutch with Ceramic Button |
| 4.1 | 250 | L6 | 1977 | 1984 | 12" Lever Type Clutch |
| 4.3 | 262 | V6 | 1986 | 1986 | — |
| 4.3 | 262 | V6 | 1987 | 1987 | R & V Series |
| 4.3 | 262 | V6 | 1988 | 1991 | To 1/31/91 |
| 4.3 | 262 | V6 | 1991 | 1991 | From 2/1/91 |
| 4.3 | 262 | V6 | 1992 | 1994 | — |
| 4.3 | 262 | V6 | 1995 | 1995 | — |
| 4.3 | 262 | V6 | 1996 | 1998 | — |
| 4.3 | 262 | V6 | 1999 | 2000 | — |
| 4.3 | 262 | V6 | 2001 | 2005 | Slave Cylinder fits 5spd only |
| 4.6 | 281 | V8 | 1967 | 1967 | 11" Disc |
| 4.6 | 281 | V8 | 1967 | 1967 | 12" Diaph Clutch |
| 4.6 | 281 | V8 | 1967 | 1967 | 12" Diaph Clutch with Ceramic Button |
| 4.6 | 281 | V8 | 1967 | 1967 | 12" Lever Clutch, with Ceramic Button |
| 4.6 | 281 | V8 | 1967 | 1967 | 12" Lever Type Clutch |
| 4.8 | 293 | L6 | 1966 | 1968 | 11" Disc |
| 4.8 | 293 | L6 | 1969 | 1974 | 11" Disc |
| 4.8 | 293 | L6 | 1969 | 1984 | 12" Lever Type Clutch |
| 4.8 | 293 | L6 | 1975 | 1984 | 11" Disc |
| 4.8 | 293 | L6 | 1985 | 1986 | — |
| 4.8 | 293 | L6 | 1987 | 1988 | R&V Series |



| Kit | Disc (mm) | Disc (in) | Spline Dia | Splines | Master Cyl | Slave Cyl | Clutch Cable | Clutch Fork | New Flywheel |
|-------|-----------|-----------|------------|---------|------------|-----------|--------------|-------------|---------------|
| 04121 | 280 | 11 | 1-1/8 | 10 | — | — | — | — | — |
| 04121 | 280 | 11 | 1-1/8 | 10 | — | SC708 | — | — | — |
| 04502 | 300 | 11-3/4 | 1-1/8 | 10 | — | — | — | — | — |
| 04049 | 280 | 11 | 1-1/8 | 10 | — | — | — | — | — |
| 04064 | 300 | 11-3/4 | 1-1/8 | 10 | — | — | — | — | — |
| 04105 | 300 | 11-3/4 | 1-1/8 | 10 | — | — | — | — | — |
| 04064 | 300 | 11-3/4 | 1-1/8 | 10 | MC309 | SC827 | — | — | — |
| 04128 | 300 | 11-3/4 | 1-1/8 | 10 | MC309 | SC827 | — | — | — |
| 04064 | 300 | 11-3/4 | 1-1/8 | 10 | MC309 | SC827 | — | — | FWGM103 |
| 04128 | 300 | 11-3/4 | 1-1/8 | 10 | MC309 | SC827 | — | — | FWGM103 |
| 04064 | 300 | 11-3/4 | 1-1/8 | 10 | — | SC708 | — | — | — |
| 04128 | 300 | 11-3/4 | 1-1/8 | 10 | — | SC708 | — | — | — |
| 04087 | 302 | 11-7/8 | 1-1/8 | 10 | — | — | — | — | — |
| 04128 | 300 | 11-3/4 | 1-1/8 | 10 | — | — | — | — | — |
| 04087 | 302 | 11-7/8 | 1-1/8 | 10 | MC309 | SC827 | — | — | — |
| 04128 | 300 | 11-3/4 | 1-1/8 | 10 | MC309 | SC827 | — | — | — |
| 04087 | 302 | 11-7/8 | 1-1/8 | 10 | — | — | — | — | — |
| 04128 | 300 | 11-3/4 | 1-1/8 | 10 | — | — | — | — | — |
| 04087 | 302 | 11-7/8 | 1-1/8 | 10 | — | SC708 | — | — | — |
| 04128 | 300 | 11-3/4 | 1-1/8 | 10 | — | SC708 | — | — | — |
| 04020 | 280 | 11 | 1-1/8 | 26 | — | — | — | — | FWGM100 |
| 04064 | 300 | 11-3/4 | 1-1/8 | 10 | — | — | — | — | FWGM102 |
| 04122 | 302 | 11-7/8 | 1-1/8 | 10 | — | — | — | — | FWGM102 |
| 04064 | 300 | 11-3/4 | 1-1/8 | 10 | — | SC708 | — | — | FWGM102 |
| 04122 | 302 | 11-7/8 | 1-1/8 | 10 | — | SC708 | — | — | FWGM102 |
| 04003 | 254 | 10 | 1-1/8 | 10 | — | — | — | — | — |
| 04072 | 280 | 11 | 1-1/8 | 10 | — | — | — | — | — |
| 04003 | 254 | 10 | 1-1/8 | 10 | — | — | — | — | FWGM101 |
| 04072 | 280 | 11 | 1-1/8 | 10 | — | — | — | — | — |
| 04049 | 280 | 11 | 1-1/8 | 10 | — | — | — | — | — |
| 04064 | 300 | 11-3/4 | 1-1/8 | 10 | — | — | — | — | — |
| 04105 | 300 | 11-3/4 | 1-1/8 | 10 | — | — | — | — | — |
| 04517 | 300 | 11-3/4 | 1-1/8 | 10 | — | — | — | — | — |
| 04502 | 300 | 11-3/4 | 1-1/8 | 10 | — | — | — | — | — |
| 04089 | 280 | 11 | 1-1/8 | 10 | MC309 | SC827 | — | — | FWGM108(1986) |
| 04089 | 280 | 11 | 1-1/8 | 10 | MC309 | SC827 | — | — | — |
| 04089 | 280 | 11 | 1-1/8 | 10 | MC310 | SC708 | — | — | FWGM108 |
| 04121 | 280 | 11 | 1-1/8 | 10 | MC310 | SC706 | — | — | FWGM108 |
| 04121 | 280 | 11 | 1-1/8 | 10 | MC372 | SC741 | — | — | FWGM108 |
| 04121 | 280 | 11 | 1-1/8 | 10 | MC380 | SC741 | — | — | FWGM108 |
| KGM10 | 280 | 11 | 1-1/8 | 10 | MC377 | SC746 | — | — | FWGM108(1986) |
| KGM17 | 280 | 11 | 1-1/8 | 10 | MC381 | SC746 | — | — | — |
| KGM21 | 280 | 11 | 1-1/8 | 10 | MC381 | SC799 | — | — | — |
| 04072 | 280 | 11 | 1-1/8 | 10 | — | — | — | — | — |
| 04064 | 300 | 11-3/4 | 1-1/8 | 10 | — | — | — | — | — |
| 04105 | 300 | 11-3/4 | 1-1/8 | 10 | — | — | — | — | — |
| 04517 | 300 | 11-3/4 | 1-1/8 | 10 | — | — | — | — | — |
| 04502 | 300 | 11-3/4 | 1-1/8 | 10 | — | — | — | — | — |
| 04072 | 280 | 11 | 1-1/8 | 10 | — | — | — | — | — |
| 04049 | 280 | 11 | 1-1/8 | 10 | — | — | — | — | — |
| 04502 | 300 | 11-3/4 | 1-1/8 | 10 | — | — | — | — | — |
| 04049 | 280 | 11 | 1-1/8 | 10 | — | — | — | — | FWGM104 |
| 04081 | 280 | 11 | 1-1/8 | 10 | MC309 | SC827 | — | CF116 | FWGM104 |
| 04081 | 280 | 11 | 1-1/8 | 10 | MC309 | SC827 | — | CF116 | FWGM104 |

1

| Liter | CC/IN | Cyl | Years | | Application Information |
|--|-------|-----|-------|------|--|
| | | | To | From | |
| GMC LIGHT TRUCK, SUV & VAN CONT. | | | | | |
| <i>JIMMY (FULL SIZE), C1500-3500, K1500-3500, R1500-3500, V1500-3500 CONT.</i> | | | | | |
| 4.8 | 293 | V8 | 1999 | 2000 | — |
| 4.8 | 293 | V8 | 2001 | 2003 | — |
| 4.8 | 293 | V8 | 2004 | 2004 | — |
| 4.8 | 293 | V8 | 2005 | 2006 | Sold as Kit Only |
| 5.0 | 305 | V6 | 1966 | 1967 | 12" Diaph Clutch |
| 5.0 | 305 | V6 | 1966 | 1967 | 12" Diaph Clutch with Ceramic Button |
| 5.0 | 305 | V6 | 1966 | 1967 | 12" Lever Clutch with Ceramic Button |
| 5.0 | 305 | V6 | 1966 | 1967 | 12" Lever Type Clutch |
| 5.0 | 305 | V8 | 1968 | 1968 | — |
| 5.0 | 305 | V8 | 1968 | 1970 | 12" Lever Clutch |
| 5.0 | 305 | V8 | 1976 | 1984 | 11" Disc |
| 5.0 | 305 | V8 | 1976 | 1984 | 12" Diaph Clutch |
| 5.0 | 305 | V8 | 1976 | 1984 | 12" Diaph Clutch with Ceramic Button |
| 5.0 | 305 | V8 | 1976 | 1984 | 12" Lever Clutch with Ceramic Button |
| 5.0 | 305 | V8 | 1976 | 1984 | 12" Lever Type Clutch |
| 5.0 | 305 | V8 | 1985 | 1987 | — |
| 5.0 | 305 | V8 | 1987 | 1987 | R&V Series |
| 5.0 | 305 | V8 | 1988 | 1991 | — |
| 5.0 | 305 | V8 | 1992 | 1994 | — |
| 5.0 | 305 | V8 | 1995 | 1995 | — |
| 5.0 | 305 | V8 | 1996 | 1998 | — |
| 5.4 | 330 | V8 | 1967 | 1968 | 12" Diaph Clutch |
| 5.4 | 330 | V8 | 1967 | 1968 | 12" Diaph Clutch with Ceramic Button |
| 5.4 | 330 | V8 | 1967 | 1968 | 12" Lever Clutch with Ceramic Button |
| 5.4 | 330 | V8 | 1967 | 1968 | 12" Lever Type Clutch |
| 5.7 | 348 | V8 | 1969 | 1984 | 12" Diaph Clutch |
| 5.7 | 348 | V8 | 1969 | 1984 | 12" Diaph Clutch with Ceramic Button |
| 5.7 | 348 | V8 | 1969 | 1984 | 12" Lever Clutch with Ceramic Button |
| 5.7 | 348 | V8 | 1969 | 1984 | 12" Lever Type Clutch |
| 5.7 | 348 | V8 | 1969 | 1986 | 11" Clutch |
| 5.7 | 348 | V8 | 1974 | 1974 | 12" Diaph Clutch |
| 5.7 | 348 | V8 | 1974 | 1974 | 12" Diaph Clutch with Ceramic Button |
| 5.7 | 348 | V8 | 1974 | 1974 | 12" Lever Clutch with Ceramic Button |
| 5.7 | 348 | V8 | 1978 | 1981 | Diesel, 11" Clutch |
| 5.7 | 348 | V8 | 1978 | 1981 | Diesel, 12" Diaph Clutch |
| 5.7 | 348 | V8 | 1978 | 1981 | Diesel, 12" Diaph Clutch with Ceramic Button |
| 5.7 | 348 | V8 | 1978 | 1981 | Diesel, 12" Lever Clutch with Ceramic Button |
| 5.7 | 348 | V8 | 1978 | 1981 | Diesel, 12" Lever Type Clutch |
| 5.7 | 348 | V8 | 1985 | 1987 | 12" Diaph Clutch |
| 5.7 | 348 | V8 | 1985 | 1987 | 12" Diaph Clutch with Ceramic Button |
| 5.7 | 348 | V8 | 1985 | 1987 | 12" Lever Clutch with Ceramic Button |
| 5.7 | 348 | V8 | 1985 | 1987 | 12" Lever Type Clutch |
| 5.7 | 348 | V8 | 1985 | 1990 | 11" Clutch |
| 5.7 | 348 | V8 | 1987 | 1990 | 12" Lever Type Clutch |
| 5.7 | 348 | V8 | 1988 | 1990 | 11" Clutch |
| 5.7 | 348 | V8 | 1988 | 1990 | 12" Diaph Clutch |
| 5.7 | 348 | V8 | 1988 | 1990 | 12" Diaph Clutch with Ceramic Button |
| 5.7 | 348 | V8 | 1988 | 1990 | 12" Lever Clutch with Ceramic Button |
| 5.7 | 348 | V8 | 1988 | 1990 | 12" Lever Type Clutch |
| 5.7 | 348 | V8 | 1988 | 1990 | R&V Series 12" Diaph Clutch with Ceramic Button |
| 5.7 | 348 | V8 | 1988 | 1990 | R&V Series with 12" Diaph Clutch |
| 5.7 | 348 | V8 | 1988 | 1991 | R&V Series with 12" Lever Clutch with Ceramic Button |
| 5.7 | 348 | V8 | 1988 | 1991 | R Series with 12" Lever Type Clutch |
| 5.7 | 348 | V8 | 1988 | 1991 | V Series with 12" Lever Type Clutch |

| Kit | Disc (mm) | Disc (in) | Spline Dia | Splines | Master Cyl | Slave Cyl | Clutch Cable | Clutch Fork | New Flywheel |
|---------|-----------|-----------|------------|---------|------------|-----------|--------------|-------------|--------------|
| 04181 | 302 | 11-7/8 | 1-1/8 | 10 | MC381 | SC746 | — | CF116 | — |
| KGM44 | 302 | 11-7/8 | 1-1/8 | 10 | MC381 | SC799 | — | — | — |
| KGM44 | 302 | 11-7/8 | 1-1/8 | 10 | MC381 | SC937 | — | — | — |
| GMK1020 | 302 | 11-7/8 | 1-1/8 | 10 | MC456 | SC937 | — | — | — |
| 04064 | 300 | 11-3/4 | 1-1/8 | 10 | — | — | — | — | — |
| 04105 | 300 | 11-3/4 | 1-1/8 | 10 | — | — | — | — | — |
| 04517 | 300 | 11-3/4 | 1-1/8 | 10 | — | — | — | — | — |
| 04502 | 300 | 11-3/4 | 1-1/8 | 10 | — | — | — | — | — |
| 04049 | 280 | 11 | 1-1/8 | 10 | — | — | — | — | — |
| 04049 | 280 | 11 | 1-1/8 | 10 | — | — | — | — | — |
| 04049 | 280 | 11 | 1-1/8 | 10 | — | — | — | — | — |
| 04064 | 300 | 11-3/4 | 1-1/8 | 10 | — | — | — | — | — |
| 04105 | 300 | 11-3/4 | 1-1/8 | 10 | — | — | — | — | — |
| 04517 | 300 | 11-3/4 | 1-1/8 | 10 | — | — | — | — | — |
| 04502 | 300 | 11-3/4 | 1-1/8 | 10 | — | — | — | — | — |
| 04081 | 280 | 11 | 1-1/8 | 10 | MC309 | SC827 | — | — | — |
| 04081 | 280 | 11 | 1-1/8 | 10 | MC309 | SC827 | — | — | — |
| 04081 | 280 | 11 | 1-1/8 | 10 | MC310 | SC708 | — | — | — |
| 04121 | 280 | 11 | 1-1/8 | 10 | MC372 | SC741 | — | — | — |
| 04121 | 280 | 11 | 1-1/8 | 10 | MC387 | SC741 | — | — | — |
| 04160 | 302 | 11-7/8 | 1-1/8 | 10 | MC377 | SC746 | — | — | — |
| 04064 | 300 | 11-3/4 | 1-1/8 | 10 | — | — | — | — | — |
| 04105 | 300 | 11-3/4 | 1-1/8 | 10 | — | — | — | — | — |
| 04517 | 300 | 11-3/4 | 1-1/8 | 10 | — | — | — | — | — |
| 04502 | 300 | 11-3/4 | 1-1/8 | 10 | — | — | — | — | — |
| 04064 | 300 | 11-3/4 | 1-1/8 | 10 | — | — | — | — | — |
| 04105 | 300 | 11-3/4 | 1-1/8 | 10 | — | — | — | — | — |
| 04517 | 300 | 11-3/4 | 1-1/8 | 10 | — | — | — | — | — |
| 04502 | 300 | 11-3/4 | 1-1/8 | 10 | — | — | — | — | — |
| 04049 | 280 | 11 | 1-1/8 | 10 | — | — | — | — | — |
| 04064 | 300 | 11-3/4 | 1-1/8 | 10 | — | — | — | — | FWGM103 |
| 04105 | 300 | 11-3/4 | 1-1/8 | 10 | — | — | — | — | FWGM103 |
| 04517 | 300 | 11-3/4 | 1-1/8 | 10 | — | — | — | — | FWGM103 |
| 04049 | 280 | 11 | 1-1/8 | 10 | — | — | — | — | — |
| 04064 | 300 | 11-3/4 | 1-1/8 | 10 | — | — | — | — | — |
| 04105 | 300 | 11-3/4 | 1-1/8 | 10 | — | — | — | — | — |
| 04517 | 300 | 11-3/4 | 1-1/8 | 10 | — | — | — | — | — |
| 04502 | 300 | 11-3/4 | 1-1/8 | 10 | — | — | — | — | — |
| 04064 | 300 | 11-3/4 | 1-1/8 | 10 | MC309 | SC827 | — | — | — |
| 04105 | 300 | 11-3/4 | 1-1/8 | 10 | MC309 | SC827 | — | — | — |
| 04517 | 300 | 11-3/4 | 1-1/8 | 10 | MC309 | SC827 | — | — | — |
| 04502 | 300 | 11-3/4 | 1-1/8 | 10 | MC309 | SC827 | — | — | — |
| 04049 | 280 | 11 | 1-1/8 | 10 | MC309 | SC827 | — | — | — |
| 04502 | 300 | 11-3/4 | 1-1/8 | 10 | MC310 | SC708 | — | — | — |
| 04049 | 280 | 11 | 1-1/8 | 10 | — | — | — | — | — |
| 04064 | 300 | 11-3/4 | 1-1/8 | 10 | MC310 | SC708 | — | — | — |
| 04105 | 300 | 11-3/4 | 1-1/8 | 10 | MC310 | SC708 | — | — | — |
| 04517 | 300 | 11-3/4 | 1-1/8 | 10 | MC310 | SC708 | — | — | — |
| 04502 | 300 | 11-3/4 | 1-1/8 | 10 | MC310 | SC708 | — | — | FWGM103 |
| 04105 | 300 | 11-3/4 | 1-1/8 | 10 | MC309 | SC827 | — | — | — |
| 04064 | 300 | 11-3/4 | 1-1/8 | 10 | MC309 | SC827 | — | — | — |
| 04517 | 300 | 11-3/4 | 1-1/8 | 10 | MC309 | SC827 | — | — | — |
| 04502 | 300 | 11-3/4 | 1-1/8 | 10 | MC309 | SC827 | — | — | — |
| 04502 | 300 | 11-3/4 | 1-1/8 | 10 | MC309 | SC827 | — | — | — |

1

| Liter | CC/IN | Cyl | Years | | Application Information |
|--|-------|-----|-------|------|--|
| | | | To | From | |
| GMC LIGHT TRUCK, SUV & VAN CONT. | | | | | |
| <i>JIMMY (FULL SIZE), C1500-3500, K1500-3500, R1500-3500, V1500-3500 CONT.</i> | | | | | |
| 5.7 | 348 | V8 | 1991 | 1991 | 11" Disc To 1/31/91 |
| 5.7 | 348 | V8 | 1991 | 1991 | 12" Diaph Clutch with Ceramic Button, To 1/31/91 |
| 5.7 | 348 | V8 | 1991 | 1991 | 12" Diaph Clutch, To 1/31/91 |
| 5.7 | 348 | V8 | 1991 | 1991 | 12" Lever Clutch with Ceramic Button, To 1/31/91 |
| 5.7 | 348 | V8 | 1991 | 1991 | 12" Lever Type Clutch To 1/31/91 |
| 5.7 | 348 | V8 | 1991 | 1991 | 12" Lever Type Clutch To 1/31/91 |
| 5.7 | 348 | V8 | 1991 | 1991 | Non Pre-Damped From 2/1/91 |
| 5.7 | 348 | V8 | 1991 | 1991 | Pre-Damped From 2/1/91 |
| 5.7 | 348 | V8 | 1991 | 1991 | R&V Series 12" Diaph Clutch, To 1/31/91 |
| 5.7 | 348 | V8 | 1991 | 1991 | R&V Series with Pre-Damped From 2/1/91 |
| 5.7 | 348 | V8 | 1991 | 1991 | R&V Series with 12" Diaph Clutch with Ceramic Button, To 1/31/91 |
| 5.7 | 348 | V8 | 1991 | 1991 | R&V Series with Non Pre-Damped From 2/1/91 |
| 5.7 | 348 | V8 | 1992 | 1995 | Non Pre-Damped |
| 5.7 | 348 | V8 | 1992 | 1995 | Pre-Damped |
| 5.7 | 348 | V8 | 1996 | 2000 | — |
| 6.0 | 366 | V8 | 1999 | 2000 | — |
| 6.0 | 366 | V8 | 2001 | 2003 | — |
| 6.0 | 366 | V8 | 2004 | 2004 | — |
| 6.2 | 378 | V8 | 1982 | 1984 | Diesel |
| 6.2 | 378 | V8 | 1985 | 1986 | Diesel |
| 6.2 | 378 | V8 | 1987 | 1989 | Diesel |
| 6.2 | 378 | V8 | 1990 | 1991 | Diesel |
| 6.2 | 378 | V8 | 1991 | 1991 | R&V Series, Diesel |
| 6.2 | 378 | V8 | 1992 | 1993 | Diesel |
| 6.5 | 397 | V8 | 1968 | 1969 | — |
| 6.5 | 397 | V8 | 1992 | 1994 | Turbo Diesel for DMF, Not included |
| 6.5 | 397 | V8 | 1992 | 1994 | Turbo, Diesel with Solid Flywheel Option. Kit does not include flywheel. |
| 6.5 | 397 | V8 | 1992 | 1994 | Turbo Diesel with Solid Flywheel Option. Kit includes flywheel. |
| 6.5 | 397 | V8 | 1995 | 1995 | Turbo Diesel for DMF, Not included |
| 6.5 | 397 | V8 | 1995 | 1995 | Turbo, Diesel with Solid Flywheel Option. Kit does not include flywheel. |
| 6.5 | 397 | V8 | 1995 | 1995 | Turbo Diesel with Solid Flywheel Option. Kit includes flywheel. |
| 6.5 | 397 | V8 | 1996 | 2002 | Turbo Diesel 5 Spd with LUK Solid Type FW. Kit does not include flywheel. |
| 6.5 | 397 | V8 | 1996 | 2002 | Turbo Diesel 5 Spd with LUK Solid Type FW. Kit includes flywheel. |
| 6.5 | 397 | V8 | 1996 | 2002 | Turbo Diesel 5 Spd with Valeo type DMF. Kit does not include flywheel. |
| 6.5 | 397 | V8 | 1996 | 2002 | Turbo Diesel 5 Spd with Valeo type DMF. Kit includes flywheel. |
| 6.6 | 403 | V8 | 1970 | 1972 | 12" Diaph Clutch |
| 6.6 | 403 | V8 | 1970 | 1972 | 12" Diaph Type Clutch with Ceramic Button |
| 6.6 | 403 | V8 | 1970 | 1972 | 12" Lever Clutch, with Ceramic Button |
| 6.6 | 403 | V8 | 1970 | 1972 | 12" Lever Type Clutch |
| 6.6 | 403 | V8 | 1978 | 1980 | — |
| 6.6 | 403 | V8 | 2001 | 2003 | Diesel 6 Spd, with DMF, Kit does not include flywheel,Does not include Release Bearing |
| 6.6 | 403 | V8 | 2001 | 2003 | Diesel 6 Spd, with DMF, Kit includes flywheel,Does not include Release Bearing |
| 6.6 | 403 | V8 | 2004 | 2006 | Diesel 6 Spd, with DMF, Kit does not include flywheel,Does not include Release Bearing |
| 6.6 | 403 | V8 | 2004 | 2006 | Diesel 6 Spd, with DMF, Kit includes flywheel,Does not include Release Bearing |
| 6.6 | 403 | V8 | 2006 | 2006 | Turbo, Diesel, Sold as Kit Only, Fits Dual Mass FW |
| 7.4 | 452 | V8 | 1973 | 1973 | 12" Diaph Type Clutch with Ceramic Button |
| 7.4 | 452 | V8 | 1973 | 1973 | 12" Lever Clutch, with Ceramic Button |
| 7.4 | 452 | V8 | 1973 | 1973 | 12" Lever Type Clutch |
| 7.4 | 452 | V8 | 1973 | 1973 | Diaph Type Clutch |
| 7.4 | 452 | V8 | 1974 | 1984 | 12" Diaph Type Clutch with Ceramic Button |
| 7.4 | 452 | V8 | 1974 | 1984 | 12" Lever Clutch, with Ceramic Button |
| 7.4 | 452 | V8 | 1974 | 1984 | 12" Lever Type Clutch |
| 7.4 | 452 | V8 | 1974 | 1984 | Diaph Type Clutch |
| 7.4 | 452 | V8 | 1985 | 1986 | 12" Diaph Type Clutch with Ceramic Button |
| 7.4 | 452 | V8 | 1985 | 1986 | Diaph Type Clutch |



| Kit | Disc (mm) | Disc (in) | Spline Dia | Splines | Master Cyl | Slave Cyl | Clutch Cable | Clutch Fork | New Flywheel |
|---------|-----------|-----------|------------|---------|------------|-----------|--------------|-------------|--------------|
| 04049 | 280 | 11 | 1-1/8 | 10 | MC309 | SC827 | — | — | — |
| 04105 | 300 | 11-3/4 | 1-1/8 | 10 | MC310 | SC708 | — | — | — |
| 04064 | 300 | 11-3/4 | 1-1/8 | 10 | MC310 | SC708 | — | — | — |
| 04517 | 300 | 11-3/4 | 1-1/8 | 10 | MC310 | SC708 | — | — | — |
| 04502 | 300 | 11-3/4 | 1-1/8 | 10 | MC310 | SC708 | — | — | — |
| 04502 | 300 | 11-3/4 | 1-1/8 | 10 | MC310 | SC708 | — | — | FWGM103 |
| 04122 | 302 | 11-7/8 | 1-1/8 | 10 | MC310 | SC708 | — | — | — |
| 04128 | 300 | 11-3/4 | 1-1/8 | 10 | MC310 | SC708 | — | — | — |
| 04064 | 300 | 11-3/4 | 1-1/8 | 10 | MC309 | SC827 | — | — | — |
| 04128 | 300 | 11-3/4 | 1-1/8 | 10 | MC309 | SC827 | — | — | — |
| 04105 | 300 | 11-3/4 | 1-1/8 | 10 | MC309 | SC827 | — | — | — |
| 04122 | 302 | 11-7/8 | 1-1/8 | 10 | MC309 | SC827 | — | — | — |
| 04122 | 302 | 11-7/8 | 1-1/8 | 10 | MC372 | SC741 | — | — | — |
| 04128 | 300 | 11-3/4 | 1-1/8 | 10 | MC372 | SC741 | — | — | — |
| 04170 | 305 | 12 | 1-1/8 | 10 | MC377 | SC746 | — | — | — |
| 04171 | 290 | 11-1/2 | 1-1/8 | 10 | MC381 | SC746 | — | — | — |
| GMK1009 | 290 | 11-1/2 | 1-1/8 | 10 | MC381 | BRG0152 | — | — | — |
| GMK1009 | 290 | 11-1/2 | 1-1/8 | 10 | MC381 | BRG0152 | — | — | — |
| 04087 | 302 | 11-7/8 | 1-1/8 | 10 | — | — | — | — | — |
| 04087 | 302 | 11-7/8 | 1-1/8 | 10 | MC309 | SC827 | — | — | — |
| 04087 | 302 | 11-7/8 | 1-1/8 | 10 | MC310 | SC708 | — | — | — |
| 04122 | 302 | 11-7/8 | 1-1/8 | 10 | MC310 | SC708 | — | — | — |
| 04122 | 302 | 11-7/8 | 1-1/8 | 10 | MC309 | SC827 | — | — | — |
| 04122 | 302 | 11-7/8 | 1-1/8 | 10 | MC372 | SC741 | — | — | — |
| 04049 | 280 | 11 | 1-1/8 | 10 | — | — | — | — | — |
| 04131 | 300 | 11-3/4 | 1-1/8 | 10 | MC372 | SC741 | — | — | — |
| 04163 | 302 | 11-7/8 | 1-1/8 | 10 | MC372 | SC741 | — | — | FWGMC126 |
| 04163A | 302 | 11-7/8 | 1-1/8 | 10 | MC372 | SC741 | — | — | FWGMC126 |
| 04131 | 300 | 11-3/4 | 1-1/8 | 10 | MC380 | SC741 | — | — | — |
| 04163 | 302 | 11-7/8 | 1-1/8 | 10 | MC380 | SC741 | — | — | FWGMC126 |
| 04163A | 302 | 11-7/8 | 1-1/8 | 10 | MC380 | SC741 | — | — | FWGMC126 |
| 04154 | 302 | 11-7/8 | 1-1/8 | 10 | MC377 | SC748 | — | — | FWGMC126 |
| 04154A | 302 | 11-7/8 | 1-1/8 | 10 | MC377 | SC748 | — | — | FWGMC126 |
| KGM12 | 300 | 11-3/4 | 1-1/8 | 10 | MC377 | SC748 | — | — | FWGMC01 |
| KGM12A | 300 | 11-3/4 | 1-1/8 | 10 | MC377 | SC748 | — | — | FWGMC01 |
| 04064 | 300 | 11-3/4 | 1-1/8 | 10 | — | — | — | — | — |
| 04105 | 300 | 11-3/4 | 1-1/8 | 10 | — | — | — | — | — |
| 04517 | 300 | 11-3/4 | 1-1/8 | 10 | — | — | — | — | — |
| 04502 | 300 | 11-3/4 | 1-1/8 | 10 | — | — | — | — | — |
| 04020 | 280 | 11 | 1-1/8 | 26 | — | — | — | — | FWGM100 |
| KGM13 | 305 | 12 | 1-3/8 | 10 | MC381 | BRG0152 | — | — | — |
| KGM13A | 305 | 12 | 1-3/8 | 10 | MC381 | BRG0152 | — | — | DMF029 |
| KGM13 | 305 | 12 | 1-3/8 | 10 | MC381 | BRG0152 | — | — | — |
| KGM13A | 305 | 12 | 1-3/8 | 10 | MC381 | BRG0152 | — | — | DMF029 |
| GMK1029 | 305 | 12 | 1-3/8 | 10 | MC381 | SC937 | — | — | — |
| 04105 | 300 | 11-3/4 | 1-1/8 | 10 | — | — | — | — | — |
| 04517 | 300 | 11-3/4 | 1-1/8 | 10 | — | — | — | — | — |
| 04502 | 300 | 11-3/4 | 1-1/8 | 10 | — | — | — | — | — |
| 04122 | 302 | 11-7/8 | 1-1/8 | 10 | — | — | — | — | — |
| 04105 | 300 | 11-3/4 | 1-1/8 | 10 | — | — | — | — | FWGM102 |
| 04517 | 300 | 11-3/4 | 1-1/8 | 10 | — | — | — | — | FWGM102 |
| 04502 | 300 | 11-3/4 | 1-1/8 | 10 | — | — | — | — | FWGM102 |
| 04122 | 302 | 11-7/8 | 1-1/8 | 10 | — | — | — | — | FWGM102 |
| 04105 | 300 | 11-3/4 | 1-1/8 | 10 | MC309 | SC827 | — | — | FWGM102 |
| 04122 | 302 | 11-7/8 | 1-1/8 | 10 | MC309 | SC827 | — | — | FWGM102 |

| Liter | CC/IN | Cyl | Years | | Application Information |
|-------|-------|-----|-------|------|-------------------------|
| | | | To | From | |

GMC LIGHT TRUCK, SUV & VAN CONT.

JIMMY (FULL SIZE), C1500-3500, K1500-3500, R1500-3500, V1500-3500 CONT.

| | | | | | |
|-----|-----|----|------|------|---|
| 7.4 | 452 | V8 | 1987 | 1991 | R, V Series, Non Pre-Damped |
| 7.4 | 452 | V8 | 1987 | 1991 | R, V Series, Pre-Damped |
| 7.4 | 452 | V8 | 1988 | 1991 | 12" Diaph Clutch, Non-Pre Damped |
| 7.4 | 452 | V8 | 1988 | 1991 | Pre-Damped |
| 7.4 | 452 | V8 | 1992 | 1994 | 12" Diaph Clutch, Non-Pre Damped |
| 7.4 | 452 | V8 | 1992 | 1994 | Pre-Damped |
| 7.4 | 452 | V8 | 1995 | 1995 | 12" Diaph Clutch, Non-Pre Damped |
| 7.4 | 452 | V8 | 1995 | 1995 | Pre-Damped |
| 7.4 | 452 | V8 | 1996 | 2000 | — |
| 7.4 | 452 | V8 | 1996 | 2000 | Turbo Diesel 5 Spd with LUK Solid Type FW. Kit includes flywheel. |
| 8.1 | 494 | V8 | 2001 | 2004 | 6 Spd, Sold as Kit Only, Includes Slave Cylinder |
| 8.1 | 494 | V8 | 2001 | 2002 | 5 Spd |
| 8.1 | 494 | V8 | 2005 | 2006 | From Jan 1/2004, Slave Cylinder Included, Sold as Kit Only |

P1500-3500 STEPVAN

| | | | | | |
|-----|-----|----|------|------|---|
| 2.5 | 153 | L4 | 1963 | 1964 | — |
| 3.2 | 195 | L6 | 1966 | 1966 | 10" Disc |
| 3.2 | 195 | L6 | 1966 | 1966 | 10-3/8" Disc |
| 3.8 | 232 | L6 | 1966 | 1969 | 10" Disc |
| 3.8 | 232 | L6 | 1966 | 1969 | 11" Disc |
| 4.1 | 250 | L6 | 1966 | 1966 | 10" Disc |
| 4.1 | 250 | L6 | 1966 | 1974 | 11" Disc |
| 4.1 | 250 | L6 | 1967 | 1974 | 10" Disc |
| 4.3 | 262 | V6 | 1990 | 1991 | — |
| 4.3 | 262 | V6 | 1992 | 1995 | — |
| 4.3 | 262 | V6 | 1996 | 1996 | — |
| 4.3 | 262 | V6 | 1999 | 1999 | — |
| 4.6 | 281 | V8 | 1967 | 1967 | 11" Disc |
| 4.6 | 281 | V8 | 1967 | 1967 | 12" Lever Type Clutch |
| 4.8 | 293 | L6 | 1966 | 1968 | 11" Disc |
| 4.8 | 293 | L6 | 1969 | 1974 | 11" Disc |
| 4.8 | 293 | L6 | 1969 | 1984 | 12" Lever Type Clutch |
| 4.8 | 293 | L6 | 1975 | 1984 | 11" Disc |
| 4.8 | 293 | L6 | 1985 | 1989 | — |
| 5.0 | 305 | V8 | 1968 | 1969 | — |
| 5.7 | 348 | V8 | 1970 | 1978 | 11" Clutch |
| 5.7 | 348 | V8 | 1970 | 1978 | 12" Diaph Clutch |
| 5.7 | 348 | V8 | 1970 | 1988 | 12" Diaph Type Clutch with Ceramic Button |
| 5.7 | 348 | V8 | 1970 | 1988 | 12" Lever Clutch, with Ceramic Button |
| 5.7 | 348 | V8 | 1970 | 1988 | 12" Lever Type Clutch |
| 5.7 | 348 | V8 | 1979 | 1988 | 12" Diaph Clutch |
| 5.7 | 348 | V8 | 1989 | 1991 | 12" Diaph Clutch |
| 5.7 | 348 | V8 | 1989 | 1991 | 12" Diaph Type Clutch with Ceramic Button |
| 5.7 | 348 | V8 | 1989 | 1991 | 12" Lever Clutch, with Ceramic Button |
| 5.7 | 348 | V8 | 1989 | 1991 | 12" Lever Type Clutch |
| 5.7 | 348 | V8 | 1992 | 1995 | Non Pre-Damped |
| 5.7 | 348 | V8 | 1992 | 1995 | Pre-Damped |
| 5.7 | 348 | V8 | 1996 | 1996 | — |
| 5.7 | 348 | V8 | 1997 | 1999 | — |
| 6.2 | 378 | V8 | 1982 | 1984 | Diesel Pre-Damped |
| 6.2 | 378 | V8 | 1982 | 1984 | Diesel, Non Pre-Damped |
| 6.2 | 378 | V8 | 1985 | 1989 | Diesel Pre-Damped |
| 6.2 | 378 | V8 | 1985 | 1989 | Diesel, Non Pre-Damped |
| 6.2 | 378 | V8 | 1990 | 1991 | Diesel Pre-Damped |
| 6.2 | 378 | V8 | 1990 | 1991 | Diesel, Non Pre-Damped |
| 6.2 | 378 | V8 | 1992 | 1993 | Diesel Pre-Damped |

| Kit | Disc (mm) | Disc (in) | Spline Dia | Splines | Master Cyl | Slave Cyl | Clutch Cable | Clutch Fork | New Flywheel |
|---------|-----------|-----------|------------|---------|------------|-----------|--------------|-------------|---------------|
| 04064 | 300 | 11-3/4 | 1-1/8 | 10 | MC309 | SC708 | — | — | FWGM102 |
| 04122 | 302 | 11-7/8 | 1-1/8 | 10 | MC309 | SC708 | — | — | FWGM102 |
| 04064 | 300 | 11-3/4 | 1-1/8 | 10 | MC310 | SC708 | — | — | FWGM102 |
| 04122 | 302 | 11-7/8 | 1-1/8 | 10 | MC310 | SC708 | — | — | FWGM102 |
| 04064 | 300 | 11-3/4 | 1-1/8 | 10 | MC372 | SC741 | — | — | FWGM102 |
| 04122 | 302 | 11-7/8 | 1-1/8 | 10 | MC372 | SC741 | — | — | FWGM102 |
| 04064 | 300 | 11-3/4 | 1-1/8 | 10 | MC380 | SC741 | — | — | FWGM102 |
| 04122 | 302 | 11-7/8 | 1-1/8 | 10 | MC380 | SC741 | — | — | FWGM102 |
| 04154 | 302 | 11-7/8 | 1-1/8 | 10 | MC377 | SC746 | — | — | — |
| 04154A | 302 | 11-7/8 | 1-1/8 | 10 | MC377 | SC746 | — | — | FWGMC126 |
| GMK1025 | 295 | 11-11/16 | 1-3/8 | 10 | MC377 | SC801 | — | — | — |
| KGM18 | 300 | 11-3/4 | 1-1/4 | 10 | MC377 | SC801 | — | — | — |
| GMK1019 | 295 | 11-11/16 | 1-3/8 | 10 | MC377 | SC801 | — | — | — |
| 04002 | 265 | 10-1/2 | 1-1/8 | 10 | — | — | — | — | — |
| 04003 | 254 | 10 | 1-1/8 | 10 | — | — | — | — | — |
| 04002 | 265 | 10-1/2 | 1-1/8 | 10 | — | — | — | — | — |
| 04003 | 254 | 10 | 1-1/8 | 10 | — | — | — | — | — |
| 04072 | 280 | 11 | 1-1/8 | 10 | — | — | — | — | — |
| 04003 | 254 | 10 | 1-1/8 | 10 | — | — | — | — | — |
| 04072 | 280 | 11 | 1-1/8 | 10 | — | — | — | — | — |
| 04003 | 254 | 10 | 1-1/8 | 10 | — | — | — | — | FWGM101 |
| 04089 | 280 | 11 | 1-1/8 | 10 | MC375 | SC744 | — | — | FWGM108 |
| 04121 | 280 | 11 | 1-1/8 | 10 | MC374 | SC741 | — | — | FWGM108 |
| KGM10 | 280 | 11 | 1-1/8 | 10 | MC379 | SC748 | — | — | FWGM108(1996) |
| KGM17 | 280 | 11 | 1-1/8 | 10 | — | — | — | — | — |
| 04072 | 280 | 11 | 1-1/8 | 10 | — | — | — | — | — |
| 04502 | 300 | 11-3/4 | 1-1/8 | 10 | — | — | — | — | — |
| 04072 | 280 | 11 | 1-1/8 | 10 | — | — | — | — | — |
| 04049 | 280 | 11 | 1-1/8 | 10 | — | — | — | — | — |
| 04502 | 300 | 11-3/4 | 1-1/8 | 10 | — | — | — | — | — |
| 04049 | 280 | 11 | 1-1/8 | 10 | — | — | — | — | FWGM104 |
| 04081 | 280 | 11 | 1-1/8 | 10 | — | — | — | — | FWGM104 |
| 04049 | 280 | 11 | 1-1/8 | 10 | — | — | — | — | — |
| 04049 | 280 | 11 | 1-1/8 | 10 | — | — | — | — | — |
| 04064 | 300 | 11-3/4 | 1-1/8 | 10 | — | — | — | — | — |
| 04105 | 300 | 11-3/4 | 1-1/8 | 10 | — | — | — | — | — |
| 04517 | 300 | 11-3/4 | 1-1/8 | 10 | — | — | — | — | — |
| 04502 | 300 | 11-3/4 | 1-1/8 | 10 | — | — | — | — | — |
| 04064 | 300 | 11-3/4 | 1-1/8 | 10 | — | — | — | — | FWGM104 |
| 04064 | 300 | 11-3/4 | 1-1/8 | 10 | MC375 | SC744 | — | — | FWGM103 |
| 04105 | 300 | 11-3/4 | 1-1/8 | 10 | MC375 | SC744 | — | — | FWGM103 |
| 04517 | 300 | 11-3/4 | 1-1/8 | 10 | MC375 | SC744 | — | — | FWGM103 |
| 04502 | 300 | 11-3/4 | 1-1/8 | 10 | MC375 | SC744 | — | — | FWGM103 |
| 04122 | 302 | 11-7/8 | 1-1/8 | 10 | MC374 | SC741 | — | — | — |
| 04128 | 300 | 11-3/4 | 1-1/8 | 10 | MC374 | SC741 | — | — | — |
| 04160 | 302 | 11-7/8 | 1-1/8 | 10 | MC379 | SC746 | — | — | — |
| 04170 | 305 | 12 | 1-1/8 | 10 | MC379 | SC746 | — | — | — |
| 04128 | 300 | 11-3/4 | 1-1/8 | 10 | — | — | — | — | — |
| 04087 | 302 | 11-7/8 | 1-1/8 | 10 | — | — | — | — | — |
| 04128 | 300 | 11-3/4 | 1-1/8 | 10 | MC309 | SC827 | — | — | — |
| 04087 | 302 | 11-7/8 | 1-1/8 | 10 | MC309 | SC827 | — | — | — |
| 04128 | 300 | 11-3/4 | 1-1/8 | 10 | MC375 | SC744 | — | — | — |
| 04087 | 302 | 11-7/8 | 1-1/8 | 10 | MC375 | SC744 | — | — | — |
| 04128 | 300 | 11-3/4 | 1-1/8 | 10 | MC374 | SC741 | — | — | — |

1

| Liter | CC/IN | Cyl | Years | | Application Information |
|-------|-------|-----|-------|------|-------------------------|
| | | | To | From | |

GMC LIGHT TRUCK, SUV & VAN CONT.

P1500-3500 STEPVAN CONT.

1

| | | | | | |
|-----|-----|----|------|------|---|
| 6.2 | 378 | V8 | 1992 | 1993 | Diesel, Non Pre-Damped |
| 6.5 | 397 | V8 | 1994 | 1994 | Diesel Pre-Damped |
| 6.5 | 397 | V8 | 1994 | 1994 | Diesel, Non Pre-Damped |
| 6.5 | 397 | V8 | 1995 | 1995 | Diesel Pre-Damped |
| 6.5 | 397 | V8 | 1995 | 1995 | Diesel, Non Pre-Damped |
| 6.5 | 397 | V8 | 1996 | 1999 | Diesel 5 Spd with LUK Solid Type FW, Kit does not include flywheel. |
| 6.5 | 397 | V8 | 1996 | 1999 | Diesel, 5 Speed with LUK Solid Type FW. Kit includes flywheel. |
| 6.5 | 397 | V8 | 1996 | 1999 | Turbo Diesel 5 Spd with Valeo type DMF. Kit does not include flywheel. |
| 6.5 | 397 | V8 | 1996 | 1999 | Turbo Diesel 5 Spd with Valeo type DMF. Kit includes flywheel. |
| 6.5 | 397 | V8 | 1997 | 1999 | Turbo Diesel 5 Spd with LUK Solid Type FW. Kit does not include flywheel. |
| 6.5 | 397 | V8 | 1997 | 1999 | Turbo Diesel 5 Spd with LUK Solid Type FW. Kit includes flywheel. |
| 7.4 | 452 | V8 | 1970 | 1971 | 12" Diaph Clutch, Non-Pre Damped |
| 7.4 | 452 | V8 | 1970 | 1971 | Pre-Damped |
| 7.4 | 452 | V8 | 1973 | 1973 | 12" Diaph Clutch, Non-Pre Damped |
| 7.4 | 452 | V8 | 1973 | 1973 | Pre-Damped |
| 7.4 | 452 | V8 | 1974 | 1986 | 12" Diaph Clutch, Non-Pre Damped |
| 7.4 | 452 | V8 | 1974 | 1986 | Pre-Damped |
| 7.4 | 452 | V8 | 1987 | 1987 | 12" Diaph Clutch, Non-Pre Damped |
| 7.4 | 452 | V8 | 1987 | 1987 | Pre-Damped |
| 7.4 | 452 | V8 | 1988 | 1991 | 12" Diaph Clutch, Non-Pre Damped |
| 7.4 | 452 | V8 | 1988 | 1991 | Pre-Damped |
| 7.4 | 452 | V8 | 1992 | 1994 | 12" Diaph Clutch, Non-Pre Damped |
| 7.4 | 452 | V8 | 1992 | 1994 | Pre-Damped |
| 7.4 | 452 | V8 | 1995 | 1995 | 12" Diaph Clutch, Non-Pre Damped |
| 7.4 | 452 | V8 | 1995 | 1995 | Pre-Damped |
| 7.4 | 452 | V8 | 1996 | 1999 | — |
| 7.4 | 452 | V8 | 1996 | 1999 | Diesel 5 Spd with LUK Solid Type FW, Kit does not include flywheel. |

S-15, JIMMY, SONOMA

| | | | | | |
|-----|-----|----|------|------|----------------|
| 1.9 | 116 | L4 | 1982 | 1985 | — |
| 2.0 | 122 | L4 | 1983 | 1983 | Non Pre-Damped |
| 2.0 | 122 | L4 | 1983 | 1983 | Pre-Damped |
| 2.0 | 122 | L4 | 1984 | 1984 | Non Pre-Damped |
| 2.0 | 122 | L4 | 1984 | 1984 | Pre-Damped |
| 2.2 | 134 | L4 | 1984 | 1985 | Diesel |
| 2.2 | 134 | L4 | 1994 | 1995 | Non Pre-Damped |
| 2.2 | 134 | L4 | 1994 | 1995 | Pre-Damped |
| 2.2 | 134 | L4 | 1996 | 2001 | Non Pre-Damped |
| 2.2 | 134 | L4 | 1996 | 2001 | Pre-Damped |
| 2.2 | 134 | L4 | 2002 | 2003 | — |
| 2.5 | 153 | L4 | 1985 | 1989 | Non Pre-Damped |
| 2.5 | 153 | L4 | 1985 | 1989 | Pre-Damped |
| 2.5 | 153 | L4 | 1990 | 1993 | Non Pre-Damped |
| 2.5 | 153 | L4 | 1990 | 1993 | Pre-Damped |
| 2.8 | 171 | V6 | 1982 | 1982 | — |
| 2.8 | 171 | V6 | 1983 | 1984 | — |
| 2.8 | 171 | V6 | 1985 | 1987 | Non Pre-Damped |
| 2.8 | 171 | V6 | 1985 | 1987 | Pre-Damped |
| 2.8 | 171 | V6 | 1987 | 1987 | Non Pre-Damped |
| 2.8 | 171 | V6 | 1987 | 1987 | Pre-Damped |
| 2.8 | 171 | V6 | 1988 | 1988 | Non Pre-Damped |
| 2.8 | 171 | V6 | 1988 | 1988 | Non Pre-Damped |
| 2.8 | 171 | V6 | 1988 | 1988 | Pre-Damped |
| 2.8 | 171 | V6 | 1988 | 1988 | Pre-Damped |
| 2.8 | 171 | V6 | 1989 | 1989 | Non Pre-Damped |



| Kit | Disc (mm) | Disc (in) | Spline Dia | Splines | Master Cyl | Slave Cyl | Clutch Cable | Clutch Fork | New Flywheel |
|---------|-----------|-----------|------------|---------|------------|-----------|--------------|-------------|--------------|
| 04087 | 302 | 11-7/8 | 1-1/8 | 10 | MC374 | SC741 | — | — | — |
| 04122 | 302 | 11-7/8 | 1-1/8 | 10 | MC372 | SC741 | — | — | — |
| 04146 | 302 | 11-7/8 | 1-1/8 | 10 | MC372 | SC741 | — | — | — |
| 04122 | 302 | 11-7/8 | 1-1/8 | 10 | — | SC741 | — | — | — |
| 04146 | 302 | 11-7/8 | 1-1/8 | 10 | — | SC741 | — | — | — |
| 04154 | 302 | 11-7/8 | 1-1/8 | 10 | MC379 | SC746 | — | — | FWGMC126 |
| 04154A | 302 | 11-7/8 | 1-1/8 | 10 | MC379 | SC746 | — | — | FWGMC126 |
| KGM12 | 300 | 11-3/4 | 1-1/8 | 10 | MC379 | SC746 | — | — | FWGMC01 |
| KGM12A | 300 | 11-3/4 | 1-1/8 | 10 | MC379 | SC746 | — | — | FWGMC01 |
| 04154 | 302 | 11-7/8 | 1-1/8 | 10 | MC379 | SC746 | — | — | FWGMC126 |
| 04154A | 302 | 11-7/8 | 1-1/8 | 10 | MC379 | SC746 | — | — | FWGMC126 |
| 04064 | 300 | 11-3/4 | 1-1/8 | 10 | — | SC827 | — | — | — |
| 04122 | 302 | 11-7/8 | 1-1/8 | 10 | — | SC827 | — | — | — |
| 04064 | 300 | 11-3/4 | 1-1/8 | 10 | — | SC827 | — | — | — |
| 04122 | 302 | 11-7/8 | 1-1/8 | 10 | — | SC827 | — | — | — |
| 04064 | 300 | 11-3/4 | 1-1/8 | 10 | — | SC827 | — | — | FWGM102 |
| 04122 | 302 | 11-7/8 | 1-1/8 | 10 | — | SC827 | — | — | FWGM102 |
| 04064 | 300 | 11-3/4 | 1-1/8 | 10 | MC309 | SC827 | — | — | FWGM102 |
| 04122 | 302 | 11-7/8 | 1-1/8 | 10 | MC309 | SC827 | — | — | FWGM102 |
| 04064 | 300 | 11-3/4 | 1-1/8 | 10 | — | SC827 | — | — | FWGM102 |
| 04122 | 302 | 11-7/8 | 1-1/8 | 10 | — | SC827 | — | — | FWGM102 |
| 04064 | 300 | 11-3/4 | 1-1/8 | 10 | MC372 | SC827 | — | — | FWGM118 |
| 04122 | 302 | 11-7/8 | 1-1/8 | 10 | MC372 | SC827 | — | — | FWGM118 |
| 04064 | 300 | 11-3/4 | 1-1/8 | 10 | MC380 | SC827 | — | — | FWGM118 |
| 04122 | 302 | 11-7/8 | 1-1/8 | 10 | MC380 | SC827 | — | — | FWGM118 |
| 04154 | 302 | 11-7/8 | 1-1/8 | 10 | — | — | — | — | FWGMC126 |
| 04154 | 302 | 11-7/8 | 1-1/8 | 10 | — | — | — | — | FWGMC126 |
| 04067 | 215 | 8-1/2 | 1 | 14 | MC308 | — | — | CF128 | — |
| 04065 | 228 | 9 | 1 | 14 | — | — | — | — | — |
| 04130 | 232 | 9-1/8 | 1 | 14 | — | — | — | — | — |
| 04065 | 228 | 9 | 1 | 14 | MC486 | SC705 | — | — | — |
| 04130 | 232 | 9-1/8 | 1 | 14 | MC486 | SC705 | — | — | — |
| 04067 | 215 | 8-1/2 | 1 | 14 | MC308 | — | — | — | — |
| 04138 | 232 | 9-1/8 | 1-1/8 | 26 | MC376 | SC742 | — | CF128 | — |
| KGM05 | 232 | 9-1/8 | 1-1/8 | 26 | MC376 | SC742 | — | CF128 | — |
| 04155 | 232 | 9-1/8 | 1-1/8 | 26 | MC378 | SC746 | — | — | — |
| KGM06 | 232 | 9-1/8 | 1-1/8 | 26 | MC378 | SC746 | — | — | — |
| GMK1004 | 232 | 9-1/8 | 1-1/8 | 26 | MC461 | SC801 | — | — | — |
| 04065 | 228 | 9 | 1 | 14 | MC308 | SC705 | — | CF128 | FWGM115 |
| 04130 | 232 | 9-1/8 | 1 | 14 | MC308 | SC705 | — | CF128 | FWGM115 |
| 04065 | 228 | 9 | 1 | 14 | MC308 | SC705 | — | CF126 | FWGM115 |
| 04130 | 232 | 9-1/8 | 1 | 14 | MC308 | SC705 | — | CF126 | FWGM115 |
| 04068 | 215 | 8-1/2 | 1 | 14 | — | — | CC655 | — | — |
| 04069 | 215 | 8-1/2 | 1 | 14 | MC308 | SC743 | CC655 | — | — |
| 04065 | 228 | 9 | 1 | 14 | MC486 | SC705 | — | — | — |
| 04130 | 232 | 9-1/8 | 1 | 14 | MC486 | SC705 | — | — | — |
| 04065 | 228 | 9 | 1 | 14 | MC309 | SC827 | — | — | — |
| 04130 | 232 | 9-1/8 | 1 | 14 | MC309 | SC827 | — | — | — |
| 04065 | 228 | 9 | 1 | 14 | MC309 | SC827 | — | — | FWGMC123 |
| 04065 | 228 | 9 | 1 | 14 | MC486 | SC705 | — | — | FWGMC123 |
| 04130 | 232 | 9-1/8 | 1 | 14 | MC309 | SC827 | — | — | FWGMC123 |
| 04130 | 232 | 9-1/8 | 1 | 14 | MC486 | SC705 | — | — | FWGMC123 |
| 04065 | 228 | 9 | 1 | 14 | MC308 | SC705 | — | — | FWGMC123 |

1

| Liter | CC/IN | Cyl | Years | | Application Information |
|-------|-------|-----|-------|------|-------------------------|
| | | | To | From | |

GMC LIGHT TRUCK, SUV & VAN CONT.

S-15, JIMMY, SONOMA CONT.

| | | | | | |
|-----|-----|----|------|------|----------------|
| 2.8 | 171 | V6 | 1989 | 1989 | Pre-Damped |
| 2.8 | 171 | V6 | 1990 | 1993 | Non Pre-Damped |
| 2.8 | 171 | V6 | 1990 | 1993 | Pre-Damped |
| 4.3 | 262 | V6 | 1994 | 1995 | — |
| 4.3 | 262 | V6 | 1990 | 1991 | — |
| 4.3 | 262 | V6 | 1992 | 1993 | — |
| 4.3 | 262 | V6 | 1994 | 2004 | — |

SAFARI

| | | | | | |
|-----|-----|----|------|------|---|
| 2.5 | 153 | L4 | 1985 | 1989 | — |
| 4.3 | 262 | V6 | 1985 | 1989 | — |

HONDA (Performance Applications Available)

ACCORD

| | | | | | |
|-----|------|----|------|------|------------------|
| 1.6 | 1599 | L4 | 1976 | 1978 | — |
| 1.8 | 1751 | L4 | 1979 | 1981 | — |
| 1.8 | 1751 | L4 | 1982 | 1982 | — |
| 1.8 | 1751 | L4 | 1983 | 1984 | — |
| 1.8 | 1829 | L4 | 1985 | 1985 | — |
| 2.0 | 1955 | L4 | 1986 | 1989 | — |
| 2.2 | 2156 | L4 | 1990 | 1997 | — |
| 2.3 | 2254 | L4 | 1998 | 2002 | — |
| 2.4 | 2354 | L4 | 2003 | 2007 | Sold As Kit Only |
| 2.4 | 2354 | L4 | 2008 | 2011 | Sold As Kit Only |
| 2.4 | 2354 | L4 | 2008 | On | Sold As Kit Only |
| 3.0 | 2977 | V6 | 2003 | 2006 | Sold as kit only |

CIVIC

| | | | | | |
|-----|------|----|------|------|--------------------------|
| 1.2 | 1237 | L4 | 1973 | 1979 | — |
| 1.3 | 1335 | L4 | 1980 | 1983 | — |
| 1.3 | 1342 | L4 | 1984 | 1987 | — |
| 1.3 | 1339 | L4 | 2003 | 2005 | Hybrid, Sold as Kit Only |
| 1.3 | 1339 | L4 | 2006 | 2007 | Hybrid, Sold as Kit Only |
| 1.5 | 1487 | L4 | 1975 | 1979 | — |
| 1.5 | 1487 | L4 | 1980 | 1983 | — |
| 1.5 | 1487 | L4 | 1984 | 1987 | 2 WD |
| 1.5 | 1487 | L4 | 1985 | 1987 | FWD; Hatchback |
| 1.5 | 1493 | L4 | 1986 | 1986 | 2 WD |
| 1.5 | 1493 | L4 | 1986 | 1986 | 4 WD Wagon |
| 1.5 | 1487 | L4 | 1987 | 1987 | 4 WD Wagon |
| 1.5 | 1491 | L4 | 1987 | 1987 | 2 WD |
| 1.5 | 1491 | L4 | 1987 | 1987 | 4 WD Wagon |
| 1.5 | 1493 | L4 | 1988 | 1988 | 2 WD |
| 1.5 | 1493 | L4 | 1988 | 1988 | 4 WD |
| 1.5 | 1493 | L4 | 1988 | 1988 | FWD |
| 1.5 | 1493 | L4 | 1989 | 1989 | — |
| 1.5 | 1493 | L4 | 1990 | 1990 | — |
| 1.5 | 1493 | L4 | 1991 | 1991 | — |
| 1.5 | 1493 | L4 | 1992 | 1995 | — |
| 1.6 | 1590 | L4 | 1988 | 1988 | 4 WD |
| 1.6 | 1590 | L4 | 1989 | 1989 | 2 WD |
| 1.6 | 1590 | L4 | 1989 | 1989 | 4 WD |
| 1.6 | 1590 | L4 | 1990 | 1990 | 2 WD |
| 1.6 | 1590 | L4 | 1990 | 1991 | 4 WD |
| 1.6 | 1590 | L4 | 1991 | 1991 | — |
| 1.6 | 1590 | L4 | 1992 | 2000 | SOHC, Except SI |
| 1.6 | 1595 | L4 | 1999 | 2000 | DOHC, SI |
| 1.7 | 1700 | L4 | 2001 | 2005 | Sold As Kit Only |

| Kit | Disc (mm) | Disc (in) | Spline Dia | Splines | Master Cyl | Slave Cyl | Clutch Cable | Clutch Fork | New Flywheel |
|---------|-----------|-----------|------------|---------|------------|-----------|--------------|-------------|------------------|
| 04130 | 232 | 9-1/8 | 1 | 14 | MC308 | SC705 | — | — | FWGMC123 |
| 04065 | 228 | 9 | 1 | 14 | MC308 | SC705 | — | CF126 | FWGMC123 |
| 04130 | 232 | 9-1/8 | 1 | 14 | MC308 | SC705 | — | CF126 | FWGMC123 |
| 04168 | 280 | 11 | 1-1/8 | 10 | MC376 | SC743 | — | — | FWGM108 |
| 04089 | 280 | 11 | 1-1/8 | 10 | MC308 | SC745 | — | — | FWGM108 |
| 04089 | 280 | 11 | 1-1/8 | 10 | MC373 | SC743 | — | — | FWGM108 |
| KGM10 | 280 | 11 | 1-1/8 | 10 | MC378 | SC746 | — | — | FWGM108(1994-96) |
| 04053 | 225 | 8-7/8 | 15/16 | 14 | MC305 | SC703 | — | — | FWGM115 |
| 04086 | 280 | 11 | 1 | 14 | MC305 | SC703 | — | — | FWGM108(1988-89) |
| 08002 | 190 | 7-1/2 | 1 | 19 | MC230 | SC637 | — | — | — |
| 08001 | 200 | 7-7/8 | 7/8 | 21 | MC230 | SC637 | — | — | — |
| 08007 | 200 | 7-7/8 | 7/8 | 21 | — | — | CC508 | — | — |
| 08006 | 200 | 7-7/8 | 7/8 | 21 | — | — | CC508 | — | — |
| 08006 | 200 | 7-7/8 | 7/8 | 21 | — | — | CC509 | — | — |
| 08708 | 210 | 8-1/4 | 7/8 | 21 | — | — | CC503 | — | — |
| 08014 | 225 | 8-7/8 | 1-1/16 | 24 | MC234 | SC642 | — | — | FWHDA01 |
| HCK1000 | 210 | 8-1/4 | 1-1/16 | 24 | MC466 | SC868 | — | — | — |
| HCK1005 | 225 | 8-7/8 | 1-1/16 | 24 | MC502 | SC895 | — | — | FWHDA02 |
| HCK1005 | 225 | 8-7/8 | 1-1/16 | 24 | — | — | — | — | FWHDA02 |
| HCK1009 | 225 | 8-7/8 | 1 | 24 | — | — | — | — | HCF001 |
| HCK1007 | 238 | 9-3/8 | 1 | 24 | MC502 | — | — | — | — |
| 08002 | 190 | 7-1/2 | 1 | 19 | — | — | — | — | — |
| 08003 | 190 | 7-1/2 | 1 | 19 | — | — | — | — | — |
| 08005 | 190 | 7-1/2 | 1 | 19 | — | — | CC511 | — | — |
| HCK1008 | 219 | 8-5/8 | 27-32 | 20 | MC553 | — | — | — | — |
| HCK1008 | 219 | 8-5/8 | 27-32 | 20 | — | — | — | — | — |
| 08004 | 190 | 7-1/2 | 1 | 19 | — | — | — | — | — |
| 08003 | 190 | 7-1/2 | 1 | 19 | — | — | CC511 | — | — |
| 08005 | 190 | 7-1/2 | 1 | 19 | — | — | CC511 | — | — |
| 08015 | 190 | 7-1/2 | 1 | 19 | — | — | CC511 | — | — |
| 08005 | 190 | 7-1/2 | 1 | 19 | — | — | CC511 | — | — |
| 08015 | 190 | 7-1/2 | 1 | 19 | — | — | CC511 | — | — |
| 08015 | 190 | 7-1/2 | 1 | 19 | — | — | CC511 | — | — |
| 08005 | 190 | 7-1/2 | 1 | 19 | — | — | CC511 | — | — |
| 08015 | 190 | 7-1/2 | 1 | 19 | — | — | CC511 | — | — |
| 08009 | 190 | 7-1/2 | 7/8 | 21 | — | — | CC514 | — | — |
| 08010 | 200 | 7-7/8 | 7/8 | 21 | — | — | CC514 | — | — |
| 08010 | 200 | 7-7/8 | 7/8 | 21 | — | — | CC514 | — | — |
| 08011 | 200 | 7-7/8 | 7/8 | 20 | — | — | CC514 | — | — |
| 08012 | 210 | 8-1/4 | 7/8 | 20 | — | — | CC514 | — | FWHDC01 |
| 08012 | 210 | 8-1/4 | 7/8 | 20 | — | — | — | — | FWHDC01 |
| 08022 | 210 | 8-1/4 | 7/8 | 20 | MC238 | SC646 | — | — | FWHDC01 |
| 08710 | 210 | 8-1/4 | 7/8 | 20 | — | — | — | — | — |
| 08011 | 200 | 7-7/8 | 7/8 | 20 | — | — | — | — | — |
| 08019 | 200 | 7-7/8 | 7/8 | 20 | — | — | — | — | — |
| 08012 | 210 | 8-1/4 | 7/8 | 20 | — | — | — | — | FWHDC01 |
| 08020 | 210 | 8-1/4 | 7/8 | 20 | — | — | — | — | FWHDC01 |
| 08012 | 210 | 8-1/4 | 7/8 | 20 | — | — | — | — | FWHDC01 |
| 08022 | 210 | 8-1/4 | 7/8 | 20 | MC238 | SC646 | — | — | FWHDC01 (92-96) |
| KHC05 | 219 | 8-5/8 | 1-1/16 | 24 | MC238 | SC646 | — | — | — |
| KHC08 | 210 | 8-1/4 | 7/8 | 20 | MC553 | SC896 | — | — | — |

1

| Liter | CC/IN | Cyl | Years | | Application Information |
|-------|-------|-----|-------|------|-------------------------|
| | | | To | From | |

HONDA (Performance Applications Available) CONT.

CIVIC CONT.

| | | | | | |
|-----|------|----|------|------|----------------------|
| 1.8 | 1799 | L4 | 2006 | 2009 | Sold As Kit Only |
| 1.8 | 1799 | L4 | 2010 | 2011 | Sold As Kit Only |
| 2.0 | 1998 | L4 | 2002 | 2005 | SI, Sold As Kit Only |
| 2.0 | 1998 | L4 | 2006 | 2008 | SI, Sold As Kit Only |
| 2.0 | 1998 | L4 | 2009 | 2011 | SI, Sold As Kit Only |

CIVIC DEL SOL

| | | | | | |
|-----|------|----|------|------|----------|
| 1.5 | 1493 | L4 | 1993 | 1994 | — |
| 1.5 | 1493 | L4 | 1995 | 1995 | SI |
| 1.6 | 1590 | L4 | 1993 | 1995 | SI |
| 1.6 | 1590 | L4 | 1994 | 1994 | VTEC |
| 1.6 | 1590 | L4 | 1995 | 1995 | Non-VTEC |
| 1.6 | 1590 | L4 | 1996 | 1997 | Non-VTEC |
| 1.6 | 1590 | L4 | 1996 | 1997 | VTEC |

CRX

| | | | | | |
|-----|------|----|------|------|---|
| 1.3 | 1342 | L4 | 1984 | 1984 | — |
| 1.5 | 1487 | L4 | 1984 | 1987 | — |
| 1.5 | 1493 | L4 | 1988 | 1988 | — |
| 1.5 | 1493 | L4 | 1989 | 1989 | — |
| 1.5 | 1493 | L4 | 1990 | 1991 | — |
| 1.6 | 1590 | L4 | 1988 | 1988 | — |
| 1.6 | 1590 | L4 | 1989 | 1989 | — |
| 1.6 | 1590 | L4 | 1990 | 1991 | — |

FIT

| | | | | | |
|-----|------|----|------|------|------------------|
| 1.5 | 1497 | L4 | 2007 | 2008 | Sold As Kit Only |
| 1.5 | 1497 | L4 | 2009 | 2011 | Sold As Kit Only |

INSIGHT

| | | | | | |
|-----|-----|----|------|------|---|
| 1.0 | 995 | L3 | 2000 | 2006 | — |
|-----|-----|----|------|------|---|

PRELUDE

| | | | | | |
|-----|------|----|------|------|---|
| 1.8 | 1751 | L4 | 1979 | 1982 | — |
| 1.8 | 1829 | L4 | 1983 | 1987 | — |
| 2.0 | 1955 | L4 | 1985 | 1987 | — |
| 2.0 | 1958 | L4 | 1988 | 1989 | — |
| 2.2 | 2156 | L4 | 1992 | 2001 | — |
| 2.3 | 2259 | L4 | 1992 | 1996 | — |

S2000

| | | | | | |
|-----|------|----|------|------|-----------|
| 2.0 | 1997 | L4 | 2000 | 2003 | Pull Type |
| 2.2 | 2157 | L4 | 2004 | 2009 | — |

HONDA SUV & VAN

CR-V

| | | | | | |
|-----|------|----|------|------|------------------|
| 2.0 | 1972 | L4 | 1998 | 2001 | — |
| 2.4 | 2354 | L4 | 2002 | 2006 | Sold As Kit Only |

ELEMENT

| | | | | | |
|-----|------|----|------|------|------------------|
| 2.4 | 2354 | L4 | 2003 | 2009 | Sold As Kit Only |
|-----|------|----|------|------|------------------|

PASSPORT

| | | | | | |
|-----|------|----|------|------|------------------|
| 2.6 | 2559 | L4 | 1994 | 1996 | — |
| 3.2 | 3165 | V6 | 1994 | 1997 | Sold As Kit Only |
| 3.2 | 3165 | V6 | 1998 | 2002 | Sold As Kit Only |

HUMMER

H3

| | | | | | |
|-----|-----|----|------|------|------------------|
| 3.5 | 214 | L5 | 2006 | 2006 | Sold as Kit Only |
| 3.7 | 223 | L5 | 2007 | 2010 | Sold as Kit Only |

HYUNDAI

ACCENT

| | | | | | |
|-----|------|----|------|------|---|
| 1.5 | 1495 | L4 | 1995 | 1995 | — |
| 1.5 | 1495 | L4 | 1995 | 1995 | — |
| 1.5 | 1495 | L4 | 1996 | 1997 | — |

| Kit | Disc (mm) | Disc (in) | Spline Dia | Splines | Master Cyl | Slave Cyl | Clutch Cable | Clutch Fork | New Flywheel |
|---------|-----------|-----------|------------|---------|------------|-----------|--------------|-------------|--------------|
| HCK1002 | 215 | 8-1/2 | 7/8 | 20 | MC569 | SC898 | — | — | FWHDC03 |
| HCK1002 | 215 | 8-1/2 | 7/8 | 20 | | SC898 | — | — | FWHDC03 |
| KHC09 | 215 | 8-1/2 | 1-1/16 | 24 | MC502 | SC895 | — | — | — |
| KHC10 | 215 | 8-1/2 | 1-1/32 | 24 | MC569 | SC899 | — | — | — |
| HCK1011 | 215 | 8-1/2 | 1-1/32 | 24 | MC569 | SC899 | — | — | — |
| 08022 | 210 | 8-1/4 | 7/8 | 20 | MC238 | SC646 | — | — | FWHDC01 |
| 08022 | 210 | 8-1/4 | 7/8 | 20 | MC238 | SC646 | — | — | FWHDC01 |
| 08022 | 210 | 8-1/4 | 7/8 | 20 | MC238 | SC646 | — | — | FWHDC01 |
| KHC05 | 219 | 8-5/8 | 1-1/16 | 24 | MC238 | SC646 | — | — | FWHDC01 |
| KHC05 | 219 | 8-5/8 | 1-1/16 | 24 | MC238 | SC646 | — | — | FWHDC01 |
| 08031 | 200 | 7-7/8 | 7/8 | 20 | MC238 | SC646 | — | — | — |
| KHC05 | 219 | 8-5/8 | 1-1/16 | 24 | MC238 | SC646 | — | — | FWHDC01 |
| 08005 | 190 | 7-1/2 | 1 | 19 | — | — | — | — | — |
| 08005 | 190 | 7-1/2 | 1 | 19 | — | — | CC511 | — | — |
| 08009 | 190 | 7-1/2 | 7/8 | 21 | — | — | CC514 | — | — |
| 08011 | 200 | 7-7/8 | 7/8 | 20 | — | — | CC514 | — | — |
| 08012 | 210 | 8-1/4 | 7/8 | 20 | — | — | CC514 | — | — |
| 08010 | 200 | 7-7/8 | 7/8 | 21 | — | — | CC514 | — | — |
| 08011 | 200 | 7-7/8 | 7/8 | 20 | — | — | CC514 | — | — |
| 08012 | 210 | 8-1/4 | 7/8 | 20 | — | — | CC514 | — | — |
| HCK1006 | 190 | 7-1/2 | 7/8 | 20 | MC570 | SC897 | — | — | — |
| HCK1010 | 190 | 7-1/2 | 7/8 | 20 | — | SC898 | — | — | — |
| KHC11 | 190 | 7-1/2 | 7/8 | 20 | — | — | — | — | — |
| 08001 | 200 | 7-7/8 | 7/8 | 21 | MC231 | SC637 | — | — | — |
| 08006 | 200 | 7-7/8 | 7/8 | 21 | — | — | CC505 | — | — |
| 08708 | 210 | 8-1/4 | 7/8 | 21 | — | — | CC515 | — | — |
| 08013 | 213 | 8-3/8 | 1 | 24 | MC233 | SC639 | — | — | — |
| KHC03 | 219 | 8-5/8 | 1-1/16 | 24 | MC234 | SC642 | — | — | FWHDA01 |
| KHC03 | 219 | 8-5/8 | 1-1/16 | 24 | MC234 | SC642 | — | — | — |
| KHC06 | 213 | 8-3/8 | 1-1/32 | 24 | — | — | — | — | — |
| KHC06 | 213 | 8-3/8 | 1-1/32 | 24 | — | — | — | — | — |
| KHC05 | 219 | 8-5/8 | 1-1/16 | 24 | MC526 | SC646 | — | — | — |
| HCK1004 | 228 | 9 | 1-1/32 | 24 | MC502 | SC895 | — | — | — |
| HCK1004 | 228 | 9 | 1-1/32 | 24 | MC502 | SC895 | — | — | — |
| KIS05 | 240 | 9-1/2 | 1 | 24 | MC144 | SC552 | — | — | — |
| KIS01 | 260 | 10-1/4 | 1 | 24 | MC144 | SC550 | — | — | — |
| KIS01 | 260 | 10-1/4 | 1 | 24 | MC554 | SC550 | — | — | — |
| GMK1028 | 265 | 10-7/16 | 1-3/16 | 26 | MC462 | SC809 | — | — | — |
| GMK1028 | 265 | 10-7/16 | 1-3/16 | 26 | MC462 | SC809 | — | — | — |
| 05091 | 200 | 7-7/8 | 7/8 | 20 | MC538 | SC840 | — | — | — |
| 05091 | 200 | 7-7/8 | 7/8 | 20 | MC538 | SC855 | — | — | — |
| 05091 | 200 | 7-7/8 | 7/8 | 20 | MC538 | SC590 | — | — | — |

1

| Liter | CC/IN | Cyl | Years | | Application Information |
|----------------------|-------|-----|-------|------|---|
| | | | To | From | |
| HYUNDAI CONT. | | | | | |
| ACCENT CONT. | | | | | |
| 1.5 | 1495 | L4 | 1997 | 1999 | — |
| 1.5 | 1495 | L4 | 2000 | 2002 | — |
| 1.6 | 1600 | L4 | 2001 | 2003 | — |
| 1.6 | 1600 | L4 | 2004 | 2005 | — |
| 1.6 | 1599 | L4 | 2006 | 2008 | Sold as Kit Only |
| 1.6 | 1599 | L4 | 2009 | 2011 | Sold as Kit Only |
| ELANTRA | | | | | |
| 1.6 | 1596 | L4 | 1992 | 1993 | To 9/30/93 |
| 1.6 | 1596 | L4 | 1993 | 1995 | From 10/1/93 |
| 1.8 | 1796 | L4 | 1996 | 1998 | Pull Type Design,Sold as kit only |
| 2.0 | 1975 | L4 | 1999 | 2000 | Pull Type Design,Sold as kit only |
| 2.0 | 1975 | L4 | 2001 | 2004 | Pull Type Design,Sold as kit only |
| 2.0 | 1975 | L4 | 2005 | 2005 | Pull Type Design,Sold as kit only |
| 2.0 | 1975 | L4 | 2006 | 2006 | Pull Type Design,Sold as kit only |
| 2.0 | 1975 | L4 | 2007 | 2011 | Sold as Kit Only |
| EXCEL | | | | | |
| 1.5 | 1468 | L4 | 1986 | 1988 | — |
| 1.5 | 1468 | L4 | 1989 | 1989 | To 6/89 |
| 1.5 | 1468 | L4 | 1990 | 1994 | — |
| PONY (CANADA) | | | | | |
| 1.4 | 1393 | L4 | 1983 | 1987 | — |
| 1.5 | 1468 | L4 | 1986 | 1986 | — |
| 1.6 | 1596 | L4 | 1984 | 1987 | — |
| SCOUPE | | | | | |
| 1.5 | 1468 | L4 | 1991 | 1992 | Non-Turbo |
| 1.5 | 1495 | L4 | 1993 | 1993 | Non-Turbo |
| 1.5 | 1495 | L4 | 1993 | 1995 | Turbo |
| SONATA | | | | | |
| 2.0 | 1997 | L4 | 1992 | 1992 | — |
| 2.0 | 1997 | L4 | 1993 | 1993 | — |
| 2.0 | 1997 | L4 | 1994 | 1994 | From 11/94 |
| 2.0 | 1997 | L4 | 1994 | 1994 | To 10/94 |
| 2.0 | 1997 | L4 | 1995 | 1998 | — |
| 2.4 | 2351 | L4 | 1989 | 1991 | — |
| 2.4 | 2351 | L4 | 1999 | 2001 | Pull Type Design |
| 2.4 | 2351 | L4 | 2002 | 2002 | Pull Type Design,Solid FW Conversion,Sold as kit only, Includes FW |
| 2.4 | 2351 | L4 | 2003 | 2005 | Pull Type Design,Solid FW Conversion,Sold as kit only, Includes FW |
| 2.4 | 2351 | L4 | 2002 | 2002 | Pull Type Design,6spd,Fits OEM Dual Mass FW |
| 2.4 | 2351 | L4 | 2003 | 2005 | Pull Type Design,6spd,Fits OEM Dual Mass FW |
| 2.5 | 2493 | V6 | 1999 | 2001 | Pull Type Design |
| 2.7 | 2656 | V6 | 2002 | 2002 | Pull Type Design,6spd,Solid FW Conversion,Sold as kit only, Includes FW |
| 2.7 | 2656 | V6 | 2003 | 2003 | Pull Type Design,6spd,Solid FW Conversion,Sold as kit only, Includes FW |
| 2.7 | 2656 | V6 | 2004 | 2005 | Pull Type Design, Solid FW Conversion, Sold as kit only, Includes FW |
| 2.7 | 2656 | V6 | 2002 | 2002 | Pull Type Design,6spd,Fits OEM Dual Mass FW |
| 2.7 | 2656 | V6 | 2003 | 2003 | Pull Type Design,6spd,Fits OEM Dual Mass FW |
| 2.7 | 2656 | V6 | 2005 | 2005 | Pull Type Design |
| TIBURON | | | | | |
| 1.8 | 1795 | L4 | 1997 | 1997 | Pull Type Design,Sold as kit only |
| 2.0 | 1975 | L4 | 1997 | 2001 | Pull Type Design,Sold as kit only |
| 2.0 | 1975 | L4 | 2003 | 2007 | Pull Type Design,5spd, Sold as Kit Only |
| 2.7 | 2656 | V6 | 2003 | 2007 | Pull Type Design,5spd, Sold as Kit Only, Fits Solid FW set up |
| 2.7 | 2656 | V6 | 2003 | 2004 | Pull Type Design,5spd, Sold as Kit Only, Fits Dual Mass FW set up |
| 2.7 | 2656 | V6 | 2003 | 2007 | Pull Type Design,6spd,Fits OEM Dual Mass FW |
| 2.7 | 2656 | V6 | 2003 | 2008 | Pull Type Design,6spd,Solid FW Conversion,Sold as kit only, Includes FW |
| TUCSON | | | | | |
| 2.0 | 1975 | L4 | 2005 | 2009 | — |

| Kit | Disc (mm) | Disc (in) | Spline Dia | Splines | Master Cyl | Slave Cyl | Clutch Cable | Clutch Fork | New Flywheel |
|-----------|-----------|-----------|------------|---------|------------|-----------|--------------|-------------|--------------|
| 05091 | 200 | 7-7/8 | 7/8 | 20 | MC557 | SC590 | — | — | — |
| 05091 | 200 | 7-7/8 | 7/8 | 20 | MC517 | SC855 | — | — | — |
| HYK1000 | 215 | 8-7/16 | 7/8 | 20 | MC517 | SC855 | — | — | — |
| HYK1000 | 215 | 8-7/16 | 7/8 | 20 | MC519 | SC855 | — | — | — |
| HYK1004 | 215 | 8 7/16 | 7/8 | 20 | MC518 | SC913 | — | — | — |
| HYK1012 | 215 | 8 7/16 | 7/8 | 20 | MC518 | SC913 | — | — | — |
| 05022 | 200 | 7-7/8 | 7/8 | 20 | MC178 | SC581 | — | — | — |
| 05051 | 210 | 8-1/4 | 7/8 | 20 | MC178 | SC581 | — | — | — |
| 05087 | 215 | 8-7/16 | 7/8 | 20 | MC555 | SC849 | — | — | — |
| 05087 | 215 | 8-7/16 | 7/8 | 20 | MC555 | SC596 | — | — | — |
| 05087 | 215 | 8-7/16 | 7/8 | 20 | MC562 | SC596 | — | — | — |
| 05087 | 215 | 8-7/16 | 7/8 | 20 | MC512 | SC596 | — | — | — |
| 05087 | 215 | 8-7/16 | 7/8 | 20 | MC512 | SC849 | — | — | — |
| HYK1005 | 225 | 8-7/8 | 7/8 | 20 | — | SC913 | — | — | — |
| 05008 | 184 | 7-1/4 | 7/8 | 20 | — | — | CC550 | — | — |
| 05008 | 184 | 7-1/4 | 7/8 | 20 | MC178 | SC584 | CC550 | — | — |
| 05022 | 200 | 7-7/8 | 7/8 | 20 | MC178 | SC584 | — | — | — |
| 05008 | 184 | 7-1/4 | 7/8 | 20 | — | — | — | — | — |
| 05008 | 184 | 7-1/4 | 7/8 | 20 | — | — | — | — | — |
| 05008 | 184 | 7-1/4 | 7/8 | 20 | — | — | — | — | — |
| 05022 | 200 | 7-7/8 | 7/8 | 20 | MC178 | SC584 | — | — | — |
| 05022 | 200 | 7-7/8 | 7/8 | 20 | MC184 | SC590 | — | — | — |
| 05051 | 210 | 8-1/4 | 7/8 | 20 | MC184 | SC590 | — | — | — |
| 05051 | 210 | 8-1/4 | 7/8 | 20 | MC175 | SC581 | — | — | — |
| 05051 | 210 | 8-1/4 | 7/8 | 20 | MC187 | SC581 | — | — | — |
| 05056 | 225 | 8-7/8 | 7/8 | 20 | MC189 | SC581 | — | — | — |
| 05051 | 210 | 8-1/4 | 7/8 | 20 | MC187 | SC581 | — | — | — |
| 05056 | 225 | 8-7/8 | 7/8 | 20 | MC189 | SC581 | — | — | — |
| 05056 | 225 | 8-7/8 | 7/8 | 20 | MC175 | SC580 | — | — | — |
| 05100 | 225 | 8-7/8 | 7/8 | 20 | MC560 | SC849 | — | — | — |
| HYK1002FW | 225 | 8-7/8 | 7/8 | 20 | MC560 | SC850 | — | — | — |
| HYK1002FW | 225 | 8-7/8 | 7/8 | 20 | MC560 | SC849 | — | — | — |
| KHY01 | 225 | 8-7/8 | 13/16 | 20 | MC560 | SC850 | — | — | — |
| KHY01 | 225 | 8-7/8 | 13/16 | 20 | MC560 | SC849 | — | — | — |
| 05100 | 225 | 8-7/8 | 7/8 | 20 | — | SC849 | — | — | — |
| HYK1003 | 225 | 8-7/8 | 13/16 | 20 | — | — | — | — | — |
| HYK1003 | 225 | 8-7/8 | 13/16 | 20 | MC560 | SC849 | — | — | — |
| HYK1002FW | 225 | 8-7/8 | 7/8 | 20 | — | — | — | — | — |
| KHY01 | 225 | 8-7/8 | 13/16 | 20 | — | — | — | — | — |
| KHY01 | 225 | 8-7/8 | 13/16 | 20 | MC560 | SC849 | — | — | — |
| KHY01 | 225 | 8-7/8 | 13/16 | 20 | MC560 | — | — | — | — |
| 05087 | 215 | 8-7/16 | 7/8 | 20 | — | — | — | — | — |
| 05087 | 215 | 8-7/16 | 7/8 | 20 | MC555 | SC849 | — | — | — |
| 05087 | 215 | 8-7/16 | 7/8 | 20 | MC562 | SC849 | — | — | — |
| 05087 | 215 | 8-7/16 | 7/8 | 20 | MC562 | SC849 | — | — | — |
| KHY01 | 225 | 8-7/8 | 13/16 | 20 | MC562 | SC849 | — | — | — |
| KHY01 | 225 | 8-7/8 | 13/16 | 20 | MC562 | SC911 | — | — | — |
| HYK1003 | 225 | 8-7/8 | 13/16 | 20 | MC562 | SC911 | — | — | — |
| HYK1001 | 236 | 9-1/4 | 7/8 | 20 | MC513 | SC849 | — | — | — |

1

| Liter | CC/IN | Cyl | Years | | Application Information |
|--|-------|-----|-------|------|--|
| | | | To | From | |
| HYUNDAI SUV | | | | | |
| SANTA FE | | | | | |
| 2.4 | 2351 | L4 | 2001 | 2004 | Pull Type Design, Fits Dual Mass FW |
| 2.4 | 2351 | L4 | 2005 | 2006 | Pull Type Design, Fits Solid FW |
| 2.4 | 2351 | L4 | 2005 | 2006 | Pull Type Design, Solid FW Included, Sold as Kit only |
| INFINITI (Performance Applications Available) | | | | | |
| G20 | | | | | |
| 2.0 | 1998 | L4 | 1991 | 1996 | — |
| 2.0 | 2000 | L4 | 1999 | 2002 | — |
| G35 | | | | | |
| 3.5 | 3498 | V6 | 2003 | 2006 | Sold As Kit Only |
| 3.5 | 3498 | V6 | 2003 | 2006 | Sold As Kit Only, Solid FW Conversion for OEM Dual Mass FW, Economy version |
| G37 | | | | | |
| 3.7 | 3696 | V6 | 2008 | 2011 | Dual Mass Flywheel Conversion, Sold as Kit Only, Includes Solid Flywheel, Includes CSC Hydraulic Slave |
| I30 | | | | | |
| 3.0 | 2988 | V6 | 1996 | 1999 | — |
| ISUZU | | | | | |
| I-280, I-290 | | | | | |
| 2.8 | 2770 | L4 | 2006 | 2006 | Sold as Kit Only, Includes CSC Hydraulic Slave |
| I-MARK | | | | | |
| 1.5 | 1471 | L4 | 1985 | 1989 | Non-Turbo |
| 1.5 | 1471 | L4 | 1987 | 1989 | Turbo |
| 1.8 | 1817 | L4 | 1981 | 1984 | Diesel |
| 1.8 | 1817 | L4 | 1981 | 1985 | — |
| IMPULSE | | | | | |
| 1.6 | 1588 | L4 | 1990 | 1991 | Non-Turbo |
| 1.6 | 1588 | L4 | 1991 | 1992 | Turbo |
| 1.8 | 1817 | L4 | 1992 | 1992 | — |
| 1.9 | 1949 | L4 | 1983 | 1987 | — |
| 2.0 | 1994 | L4 | 1985 | 1989 | Turbo |
| 2.3 | 2254 | L4 | 1988 | 1989 | — |
| STYLUS | | | | | |
| 1.6 | 1588 | L4 | 1991 | 1993 | — |
| 1.8 | 1817 | L4 | 1992 | 1992 | — |
| ISUZU LIGHT TRUCK & SUV | | | | | |
| AMIGO | | | | | |
| 2.2 | 2180 | L4 | 1998 | 2000 | MUA Transmission, ID # RMN |
| 2.3 | 2254 | L4 | 1989 | 1990 | — |
| 2.3 | 2254 | L4 | 1991 | 1993 | — |
| 2.6 | 2559 | L4 | 1989 | 1990 | — |
| 2.6 | 2559 | L4 | 1991 | 1994 | — |
| 3.2 | 3165 | V6 | 1998 | 2000 | Pull Type, Sold As Kit Only |
| HOMBRE | | | | | |
| 2.2 | 2180 | L4 | 1996 | 2000 | — |
| 4.3 | 4294 | V6 | 1997 | 1999 | — |
| PICKUP | | | | | |
| 1.8 | 1817 | L4 | 1981 | 1982 | 2 WD |
| 1.8 | 1817 | L4 | 1981 | 1982 | 4 WD |
| 1.9 | 1949 | L4 | 1983 | 1987 | — |
| 2.2 | 2238 | L4 | 1981 | 1985 | Diesel |
| 2.2 | 2238 | L4 | 1986 | 1987 | Turbo Diesel |
| 2.3 | 2254 | L4 | 1986 | 1995 | — |
| 2.6 | 2559 | L4 | 1988 | 1995 | — |
| 3.1 | 3137 | V6 | 1991 | 1994 | — |
| RODEO | | | | | |
| 2.2 | 2180 | L4 | 1998 | 1998 | 1 Piece Bell Housing |
| 2.2 | 2180 | L4 | 1998 | 1998 | 2 Piece Bell Housing |
| 2.2 | 2180 | L4 | 1999 | 2000 | 2 Piece Bell Housing |



| Kit | Disc (mm) | Disc (in) | Spline Dia | Splines | Master Cyl | Slave Cyl | Clutch Cable | Clutch Fork | New Flywheel |
|-----------|-----------|-----------|------------|---------|------------|-----------|--------------|-------------|--------------|
| KHY01 | 225 | 8-7/8 | 13/16 | 20 | MC514 | SC849 | — | — | — |
| HYK1002 | 225 | 8-7/8 | 7/8 | 20 | — | — | — | — | — |
| HYK1002FW | 225 | 8-7/8 | 7/8 | 20 | — | — | — | — | — |
| KNS02 | 215 | 8-1/2 | 13/16 | 18 | — | — | — | — | — |
| KNS02 | 215 | 8-1/2 | 13/16 | 18 | — | SC760 | — | — | — |
| NSK1000 | 250 | 9-7/8 | 1 | 24 | — | — | — | — | — |
| NSK1000FW | 250 | 9-7/8 | 1 | 24 | — | — | — | — | — |
| NSK1024FW | 250 | 9-7/8 | 1 | 24 | — | BRG0163 | — | — | — |
| 06044 | 240 | 9-1/2 | 1 | 24 | MC160 | SC851 | — | — | — |
| GMK1015 | 264 | 10-3/8 | 1-1/8 | 26 | MC462 | — | — | — | — |
| 04063 | 184 | 7-1/4 | 1 | 14 | — | — | CC578 | — | — |
| 04099 | 215 | 8-1/2 | 1 | 14 | — | — | CC578 | — | — |
| 04058 | 200 | 7-7/8 | 1 | 24 | — | — | — | — | — |
| 04058 | 200 | 7-7/8 | 1 | 24 | — | — | — | — | — |
| 04112 | 200 | 7-7/8 | 15/16 | 14 | — | — | — | — | — |
| 09017 | 215 | 8-1/2 | 1 | 14 | — | — | — | — | — |
| 09017 | 215 | 8-1/2 | 1 | 14 | — | — | — | — | — |
| 09012 | 215 | 8-1/2 | 1 | 24 | MC142 | SC545 | — | — | — |
| 09007 | 240 | 9-1/2 | 1 | 24 | MC142 | SC546 | — | — | — |
| 09014 | 215 | 8-1/2 | 1 | 24 | MC142 | SC546 | — | — | — |
| 04112 | 200 | 7-7/8 | 15/16 | 14 | — | — | — | — | — |
| 09017 | 215 | 8-1/2 | 1 | 14 | — | — | — | — | — |
| KIS05 | 240 | 9-1/2 | 1 | 24 | MC146 | SC875 | — | — | — |
| 04071 | 215 | 8-1/2 | 1 | 24 | — | — | CC581 | — | — |
| 04071 | 215 | 8-1/2 | 1 | 24 | — | — | — | — | — |
| 09015 | 240 | 9-1/2 | 1 | 24 | MC144 | SC549 | CC581 | — | — |
| 09015 | 240 | 9-1/2 | 1 | 24 | MC144 | SC547 | — | — | — |
| KIS01 | 260 | 10-1/4 | 1 | 24 | MC554 | SC550 | — | — | — |
| 04155 | 232 | 9-1/8 | 1-1/8 | 26 | MC378 | SC746 | — | — | — |
| KGM10 | 280 | 11 | 1-1/8 | 10 | MC378 | SC746 | — | — | — |
| 04058 | 200 | 7-7/8 | 1 | 24 | — | — | — | — | — |
| 04071 | 215 | 8-1/2 | 1 | 24 | — | — | — | — | — |
| 04071 | 215 | 8-1/2 | 1 | 24 | — | — | — | — | — |
| 04071 | 215 | 8-1/2 | 1 | 24 | — | — | — | — | — |
| 04071 | 215 | 8-1/2 | 1 | 24 | MC493 | — | — | — | — |
| 04071 | 215 | 8-1/2 | 1 | 24 | — | — | — | — | — |
| 09015 | 240 | 9-1/2 | 1 | 24 | MC144 | SC549 | — | — | — |
| 09018 | 240 | 9-1/2 | 1 | 24 | MC144 | SC548 | — | — | — |
| 09015 | 240 | 9-1/2 | 1 | 24 | MC146 | SC904 | — | — | — |
| KIS05 | 240 | 9-1/2 | 1 | 24 | MC146 | SC904 | — | — | — |
| KIS05 | 240 | 9-1/2 | 1 | 24 | MC146 | SC875 | — | — | — |

1

| Liter | CC/IN | Cyl | Years | | Application Information |
|-------|-------|-----|-------|------|-------------------------|
| | | | To | From | |

ISUZU LIGHT TRUCK & SUV CONT.

RODEO CONT.

1

| | | | | | |
|-----|------|----|------|------|---|
| 2.2 | 2180 | L4 | 1999 | 2001 | 1 Piece Bell Housing |
| 2.2 | 2180 | L4 | 2002 | 2003 | — |
| 2.6 | 2559 | L4 | 1991 | 1992 | To 10/92 |
| 2.6 | 2559 | L4 | 1992 | 1992 | From 11/92 |
| 2.6 | 2559 | L4 | 1993 | 1997 | — |
| 3.1 | 3137 | V6 | 1991 | 1991 | 2 WD, Non Pre-Damped |
| 3.1 | 3137 | V6 | 1991 | 1991 | 2 WD, Pre-Damped |
| 3.1 | 3137 | V6 | 1991 | 1992 | 4 WD, MUA Transmission # RMN |
| 3.1 | 3137 | V6 | 1991 | 1992 | 4 WD, Transmission # MM5 |
| 3.1 | 3137 | V6 | 1992 | 1992 | 2 WD, Non Pre-Damped |
| 3.1 | 3137 | V6 | 1992 | 1992 | 2 WD, Pre-Damped |
| 3.2 | 3165 | V6 | 1993 | 1993 | Borg Warner Transmission |
| 3.2 | 3165 | V6 | 1993 | 1993 | Pull Type, MUA Transmission, Sold As Kit Only |
| 3.2 | 3165 | V6 | 1994 | 1995 | Pull Type, Sold As Kit Only |
| 3.2 | 3165 | V6 | 1996 | 1997 | Borg Warner Transmission |
| 3.2 | 3165 | V6 | 1996 | 1997 | Pull Type, MUA Transmission, Sold As Kit Only |
| 3.2 | 3165 | V6 | 1998 | 1999 | Borg Warner Transmission |
| 3.2 | 3165 | V6 | 1998 | 1999 | Pull Type, MUA Transmission, Sold As Kit Only |
| 3.2 | 3165 | V6 | 2000 | 2004 | Pull Type, Sold As Kit Only |

TROOPER

| | | | | | |
|-----|------|----|------|------|-----------------------------|
| 1.9 | 1949 | L4 | 1984 | 1985 | — |
| 2.2 | 2238 | L4 | 1984 | 1984 | Diesel |
| 2.2 | 2238 | L4 | 1986 | 1987 | Turbo Diesel |
| 2.3 | 2254 | L4 | 1986 | 1987 | — |
| 2.6 | 2559 | L4 | 1988 | 1991 | — |
| 2.8 | 2827 | V6 | 1989 | 1991 | — |
| 3.2 | 3165 | V6 | 1992 | 1997 | Pull Type, Sold As Kit Only |
| 3.5 | 3475 | V6 | 1998 | 2002 | Pull Type, Sold As Kit Only |

JAGUAR

MARK X

| | | | | | |
|-----|------|----|------|------|------------------|
| 4.2 | 4235 | L6 | 1964 | 1966 | Sold As Kit Only |
|-----|------|----|------|------|------------------|

XJ

| | | | | | |
|-----|------|----|------|------|------------------|
| 4.2 | 4235 | L6 | 1969 | 1971 | Sold As Kit Only |
|-----|------|----|------|------|------------------|

XJ6

| | | | | | |
|-----|------|----|------|------|------------------|
| 4.2 | 4235 | L6 | 1972 | 1974 | Sold As Kit Only |
|-----|------|----|------|------|------------------|

XKE

| | | | | | |
|-----|------|----|------|------|------------------|
| 3.8 | — | L6 | 1964 | 1964 | Sold As Kit Only |
| 4.2 | 4235 | L6 | 1964 | 1971 | Sold As Kit Only |

JEEP LIGHT TRUCK & SUV

CHEROKEE, GRAND CHEROKEE, COMANCHE, WAGONEER, GRAND WAGONEER

| | | | | | |
|-----|-----|----|------|------|-------------------------|
| 2.5 | 153 | L4 | 1984 | 1984 | 9-1/8" Disc |
| 2.5 | 153 | L4 | 1984 | 1984 | 9-1/8" Disc |
| 2.5 | 153 | L4 | 1984 | 1986 | 9-11/16" Disc |
| 2.5 | 153 | L4 | 1986 | 1986 | 8-7/8" Disc |
| 2.5 | 153 | L4 | 1986 | 1986 | 9-11/16" Disc |
| 2.5 | 153 | L4 | 1987 | 1990 | Includes Slave Cylinder |
| 2.5 | 153 | L4 | 1991 | 1992 | Includes Slave Cylinder |
| 2.5 | 153 | L4 | 1993 | 1993 | Includes Slave Cylinder |
| 2.5 | 153 | L4 | 1994 | 1996 | — |
| 2.5 | 153 | L4 | 1997 | 2000 | — |
| 2.8 | 171 | V6 | 1984 | 1984 | — |
| 2.8 | 171 | V6 | 1985 | 1985 | 9-1/8" Disc |
| 2.8 | 171 | V6 | 1985 | 1985 | 9-11/16" Disc |



| Kit | Disc (mm) | Disc (in) | Spline Dia | Splines | Master Cyl | Slave Cyl | Clutch Cable | Clutch Fork | New Flywheel |
|---------|-----------|-----------|------------|---------|------------|-----------|--------------|-------------|--------------|
| 09015 | 240 | 9-1/2 | 1 | 24 | MC146 | SC875 | — | — | — |
| ISK1002 | 240 | 9-1/2 | 1 | 24 | MC554 | SC875 | — | — | — |
| 09015 | 240 | 9-1/2 | 1 | 24 | MC144 | SC549 | — | — | — |
| KIS05 | 240 | 9-1/2 | 1 | 24 | MC144 | SC552 | — | — | — |
| KIS05 | 240 | 9-1/2 | 1 | 24 | MC144 | SC552 | — | — | — |
| 04065 | 228 | 9 | 1 | 14 | MC144 | SC548 | — | — | — |
| 04130 | 232 | 9-1/8 | 1 | 14 | MC144 | SC548 | — | — | — |
| 09018 | 240 | 9-1/2 | 1 | 24 | MC144 | SC548 | — | — | — |
| 04065 | 228 | 9 | 1 | 14 | MC144 | SC551 | — | — | — |
| 04065 | 228 | 9 | 1 | 14 | MC144 | — | — | — | — |
| 04130 | 232 | 9-1/8 | 1 | 14 | MC144 | — | — | — | — |
| KIS05 | 240 | 9-1/2 | 1 | 24 | MC144 | SC550 | — | — | — |
| KIS01 | 260 | 10-1/4 | 1 | 24 | MC144 | SC550 | — | — | — |
| KIS01 | 260 | 10-1/4 | 1 | 24 | MC144 | SC550 | — | — | — |
| KIS05 | 240 | 9-1/2 | 1 | 24 | MC144 | SC550 | — | — | — |
| KIS01 | 260 | 10-1/4 | 1 | 24 | MC144 | SC550 | — | — | — |
| KIS05 | 240 | 9-1/2 | 1 | 24 | MC554 | SC550 | — | — | — |
| KIS01 | 260 | 10-1/4 | 1 | 24 | MC554 | SC550 | — | — | — |
| KIS01 | 260 | 10-1/4 | 1 | 24 | MC144 | SC550 | — | — | — |
| 04071 | 215 | 8-1/2 | 1 | 24 | — | — | — | — | — |
| 04071 | 215 | 8-1/2 | 1 | 24 | — | — | — | — | — |
| 04071 | 215 | 8-1/2 | 1 | 24 | — | — | — | — | — |
| 04071 | 215 | 8-1/2 | 1 | 24 | — | — | — | — | — |
| 09015 | 240 | 9-1/2 | 1 | 24 | MC143 | SC549 | — | — | — |
| 09016 | 230 | 9-1/16 | 1 | 24 | MC143 | SC548 | — | — | — |
| KIS01 | 260 | 10-1/4 | 1 | 24 | MC144 | SC550 | — | — | — |
| KIS06 | 273 | 10-3/4 | 1 | 24 | — | SC550 | — | — | — |
| 19013 | 240 | 9-1/2 | 1-1/8 | 10 | — | — | — | — | — |
| 19013 | 240 | 9-1/2 | 1-1/8 | 10 | — | — | — | — | — |
| 19013 | 240 | 9-1/2 | 1-1/8 | 10 | — | — | — | — | — |
| 19013 | 240 | 9-1/2 | 1-1/8 | 10 | — | — | — | — | — |
| 19013 | 240 | 9-1/2 | 1-1/8 | 10 | — | — | — | — | — |
| 01001 | 232 | 9-1/8 | 1-1/8 | 10 | MC346 | — | — | — | — |
| 01001 | 232 | 9-1/8 | 1-1/8 | 10 | MC346 | SC723 | — | — | — |
| 01010 | 228 | 9 | 1 | 14 | MC346 | SC723 | — | — | — |
| 01020 | 225 | 8-7/8 | 15/16 | 14 | MC346 | SC723 | — | — | — |
| 01010 | 228 | 9 | 1 | 14 | MC346 | SC723 | — | — | — |
| 01033 | 225 | 8-7/8 | 15/16 | 14 | MC342 | — | — | — | — |
| 01033 | 225 | 8-7/8 | 15/16 | 14 | MC390 | — | — | — | — |
| 01036 | 225 | 8-7/8 | 15/16 | 14 | MC390 | — | — | — | — |
| 01040 | 225 | 8-7/8 | 15/16 | 14 | MC390 | SC754 | — | — | — |
| 01040 | 225 | 8-7/8 | 15/16 | 14 | MC396 | SC754 | — | — | — |
| 01018 | 228 | 9 | 1 | 14 | MC346 | SC723 | — | — | — |
| 01024 | 228 | 9 | 1 | 14 | MC347 | SC723 | — | — | — |
| 01018 | 228 | 9 | 1 | 14 | MC347 | SC723 | — | — | — |

1

| Liter | CC/IN | Cyl | Years | | Application Information |
|-------|-------|-----|-------|------|-------------------------|
| | | | To | From | |

JEEP LIGHT TRUCK & SUV CONT.

CHEROKEE, GRAND CHEROKEE, COMANCHE, WAGONEER, GRAND WAGONEER CONT.

| | | | | | |
|-----|-----|----|------|------|---|
| 2.8 | 171 | V6 | 1985 | 1986 | — |
| 3.8 | 232 | L6 | 1965 | 1965 | — |
| 3.8 | 232 | L6 | 1966 | 1967 | — |
| 3.8 | 232 | L6 | 1971 | 1971 | Includes Slave Cylinder |
| 4.0 | 244 | L6 | 1987 | 1988 | Includes Slave Cylinder |
| 4.0 | 244 | L6 | 1989 | 1989 | Aisin Transmission, Includes Slave Cylinder |
| 4.0 | 244 | L6 | 1989 | 1989 | Aisin Transmission, Includes Slave Cylinder |
| 4.0 | 244 | L6 | 1989 | 1989 | Peugeot Transmission, Includes Slave Cylinder |
| 4.0 | 244 | L6 | 1989 | 1989 | Peugeot Transmission, Includes Slave Cylinder |
| 4.0 | 244 | L6 | 1990 | 1990 | Includes Slave Cylinder |
| 4.0 | 244 | L6 | 1991 | 1992 | Includes Slave Cylinder |
| 4.0 | 244 | L6 | 1993 | 1993 | Includes Slave Cylinder |
| 4.0 | 244 | L6 | 1993 | 1993 | Includes Slave Cylinder |
| 4.0 | 244 | L6 | 1994 | 1994 | — |
| 4.0 | 244 | L6 | 1994 | 1996 | — |
| 4.0 | 244 | L6 | 1997 | 2001 | — |
| 4.2 | 256 | L6 | 1972 | 1974 | 10-3/8" Disc |
| 4.2 | 256 | L6 | 1972 | 1975 | 11" Disc |
| 4.2 | 256 | L6 | 1975 | 1975 | — |
| 4.2 | 256 | L6 | 1976 | 1979 | — |
| 4.2 | 256 | L6 | 1980 | 1981 | — |
| 4.2 | 256 | L6 | 1982 | 1986 | — |
| 5.9 | 360 | V8 | 1974 | 1979 | — |
| 5.9 | 360 | V8 | 1980 | 1983 | — |
| 5.9 | 360 | V8 | 1980 | 1988 | — |
| 6.6 | 403 | V8 | 1974 | 1978 | — |

CJ SERIES, SCRAMBLER, WRANGLER

| | | | | | |
|-----|-----|----|------|------|-------------------------|
| 2.4 | 146 | L4 | 2003 | 2004 | — |
| 2.4 | 146 | L4 | 2005 | 2006 | Sold as Kit Only |
| 2.5 | 153 | L4 | 1980 | 1983 | GM Engine |
| 2.5 | 153 | L4 | 1983 | 1983 | AMC Engine |
| 2.5 | 153 | L4 | 1984 | 1985 | AMC Engine |
| 2.5 | 153 | L4 | 1986 | 1986 | — |
| 2.5 | 153 | L4 | 1987 | 1987 | Includes Slave Cylinder |
| 2.5 | 153 | L4 | 1988 | 1990 | Includes Slave Cylinder |
| 2.5 | 153 | L4 | 1991 | 1991 | Includes Slave Cylinder |
| 2.5 | 153 | L4 | 1991 | 1992 | Includes Slave Cylinder |
| 2.5 | 153 | L4 | 1993 | 1993 | Includes Slave Cylinder |
| 2.5 | 153 | L4 | 1994 | 1995 | — |
| 2.5 | 153 | L4 | 1997 | 2002 | — |
| 3.7 | 226 | V6 | 1966 | 1971 | — |
| 3.7 | 226 | V6 | 1968 | 1968 | — |
| 3.8 | 232 | L6 | 1972 | 1973 | — |
| 3.8 | 232 | L6 | 1974 | 1975 | — |
| 3.8 | 232 | L6 | 1976 | 1978 | — |
| 3.8 | 232 | L6 | 2007 | 2011 | Sold as Kit Only |
| 4.0 | 244 | L6 | 1991 | 1992 | Includes Slave Cylinder |
| 4.0 | 244 | L6 | 1993 | 1993 | Includes Slave Cylinder |
| 4.0 | 244 | L6 | 1994 | 1995 | — |
| 4.0 | 244 | L6 | 1997 | 2006 | — |
| 4.2 | 256 | L6 | 1972 | 1975 | 10-1/2" Disc |
| 4.2 | 256 | L6 | 1972 | 1975 | 11" Disc |
| 4.2 | 256 | L6 | 1976 | 1981 | CJ5, CJ7 |
| 4.2 | 256 | L6 | 1981 | 1981 | Scrambler |

| Kit | Disc (mm) | Disc (in) | Spline Dia | Splines | Master Cyl | Slave Cyl | Clutch Cable | Clutch Fork | New Flywheel |
|---------|-----------|-----------|------------|---------|------------|-----------|--------------|-------------|--------------|
| 01024 | 228 | 9 | 1 | 14 | MC347 | SC723 | — | — | — |
| 01026 | 265 | 10-1/2 | 1-1/8 | 10 | — | — | — | — | — |
| 01029 | 265 | 10-1/2 | 1-1/8 | 10 | — | — | — | — | — |
| 01035 | 265 | 10-1/2 | 1-1/8 | 10 | MC342 | — | — | — | — |
| 01035 | 265 | 10-1/2 | 1-1/8 | 10 | MC342 | — | — | — | — |
| 01034 | 265 | 10-1/2 | 1-1/8 | 10 | MC100 | — | — | — | — |
| 01034 | 265 | 10-1/2 | 1-1/8 | 10 | MC342 | — | — | — | — |
| 01035 | 265 | 10-1/2 | 1-1/8 | 10 | MC100 | — | — | — | — |
| 01035 | 265 | 10-1/2 | 1-1/8 | 10 | MC342 | — | — | — | — |
| 01034 | 265 | 10-1/2 | 1-1/8 | 10 | MC342 | — | — | — | — |
| 01034 | 265 | 10-1/2 | 1-1/8 | 10 | MC390 | — | — | — | — |
| 01037 | 265 | 10-1/2 | 1-1/8 | 10 | MC388 | SC751 | — | — | — |
| 01037 | 265 | 10-1/2 | 1-1/8 | 10 | MC390 | — | — | — | — |
| 05065 | 265 | 10-1/2 | 1-1/8 | 10 | MC388 | SC751 | — | — | — |
| 05065 | 265 | 10-1/2 | 1-1/8 | 10 | MC390 | SC754 | — | — | — |
| 05065 | 265 | 10-1/2 | 1-1/8 | 10 | MC396 | SC751 | — | — | — |
| 01026 | 265 | 10-1/2 | 1-1/8 | 10 | — | — | — | — | — |
| 01025 | 280 | 11 | 1-1/8 | 10 | — | — | — | — | — |
| 01026 | 265 | 10-1/2 | 1-1/8 | 10 | — | — | — | — | — |
| 01015 | 263 | 10-3/8 | 1-1/16 | 10 | — | — | — | CF111 | — |
| 01030 | 280 | 11 | 1-1/8 | 10 | — | — | — | — | — |
| 01017 | 265 | 10-1/2 | 1-1/8 | 10 | — | — | — | — | — |
| 01025 | 280 | 11 | 1-1/8 | 10 | — | — | — | CF111 | FWCHR109 |
| 01030 | 280 | 11 | 1-1/8 | 10 | — | — | — | — | — |
| 01030 | 280 | 11 | 1-1/8 | 10 | — | — | — | — | FWCHR109 |
| 01025 | 280 | 11 | 1-1/8 | 10 | — | — | — | CF111 | FWCHR110 |
| KJP03 | 228 | 9 | 1 | 19 | MC396 | SC754 | — | — | — |
| CRK1007 | 226 | 8-15/16 | 15/16 | 19 | MC396 | SC933 | — | — | — |
| 01001 | 232 | 9-1/8 | 1-1/8 | 10 | MC344 | SC833 | — | — | — |
| 01010 | 228 | 9 | 1 | 14 | MC344 | SC723 | — | — | — |
| 01001 | 232 | 9-1/8 | 1-1/8 | 10 | MC344 | SC723 | — | — | — |
| 01020 | 225 | 8-7/8 | 15/16 | 14 | MC344 | SC723 | — | — | — |
| 01033 | 225 | 8-7/8 | 15/16 | 14 | MC341 | — | — | — | — |
| 01033 | 225 | 8-7/8 | 15/16 | 14 | MC341 | — | — | — | — |
| 01033 | 225 | 8-7/8 | 15/16 | 14 | MC389 | — | — | — | — |
| 01033 | 225 | 8-7/8 | 15/16 | 14 | MC390 | — | — | — | — |
| 01036 | 225 | 8-7/8 | 15/16 | 14 | MC390 | — | — | — | — |
| 01040 | 225 | 8-7/8 | 15/16 | 14 | MC392 | SC754 | — | — | — |
| 01040 | 225 | 8-7/8 | 15/16 | 14 | MC396 | SC754 | — | — | — |
| 01029 | 265 | 10-1/2 | 1-1/8 | 10 | — | — | — | CF113 | — |
| 01029 | 265 | 10-1/2 | 1-1/8 | 10 | — | — | — | CF113 | — |
| 01026 | 265 | 10-1/2 | 1-1/8 | 10 | — | — | — | — | — |
| 01026 | 265 | 10-1/2 | 1-1/8 | 10 | — | — | — | CF111 | — |
| 01015 | 263 | 10-3/8 | 1-1/16 | 10 | — | — | — | — | — |
| KJP02 | 263 | 10-3/8 | 1-1/8 | 10 | — | — | — | — | — |
| 01034 | 265 | 10-1/2 | 1-1/8 | 10 | MC390 | — | — | — | — |
| 01037 | 265 | 10-1/2 | 1-1/8 | 10 | MC389 | — | — | — | — |
| 05065 | 265 | 10-1/2 | 1-1/8 | 10 | MC392 | SC754 | — | — | — |
| 05065 | 265 | 10-1/2 | 1-1/8 | 10 | MC396 | SC754 | — | — | — |
| 01026 | 265 | 10-1/2 | 1-1/8 | 10 | — | — | — | — | — |
| 01025 | 280 | 11 | 1-1/8 | 10 | — | — | — | — | — |
| 01017 | 265 | 10-1/2 | 1-1/8 | 10 | MC344 | — | — | — | — |
| 01030 | 280 | 11 | 1-1/8 | 10 | MC344 | — | — | — | — |

1

| Liter | CC/IN | Cyl | Years | | Application Information |
|---|-------|-----|-------|------|---|
| | | | To | From | |
| JEEP LIGHT TRUCK & SUV CONT. | | | | | |
| <i>CJ SERIES, SCRAMBLER, WRANGLER CONT.</i> | | | | | |
| 4.2 | 256 | L6 | 1982 | 1985 | — |
| 4.2 | 256 | L6 | 1986 | 1986 | — |
| 4.2 | 256 | L6 | 1987 | 1988 | Includes Slave Cylinder |
| 4.2 | 256 | L6 | 1989 | 1989 | Aisin Transmission, Includes Slave Cylinder |
| 4.2 | 256 | L6 | 1989 | 1989 | Peugeot Transmission, Includes Slave Cylinder |
| 4.2 | 256 | L6 | 1990 | 1990 | Includes Slave Cylinder |
| 5.0 | 305 | V8 | 1972 | 1975 | 10" Disc |
| 5.0 | 305 | V8 | 1972 | 1975 | 11" Disc |
| 5.0 | 305 | V8 | 1976 | 1979 | — |
| 5.0 | 305 | V8 | 1980 | 1981 | — |
| <i>COMMANDO</i> | | | | | |
| 3.7 | 226 | V6 | 1966 | 1967 | — |
| <i>DISPATCHER</i> | | | | | |
| 3.7 | 226 | V6 | 1966 | 1967 | — |
| <i>DJ SERIES</i> | | | | | |
| 3.7 | 226 | V6 | 1966 | 1970 | — |
| 3.8 | 232 | L6 | 1972 | 1973 | — |
| 3.8 | 232 | L6 | 1974 | 1974 | — |
| 4.2 | 256 | L6 | 1973 | 1974 | 10-3/8" Disc |
| 4.2 | 256 | L6 | 1973 | 1974 | 11" Disc |
| 5.0 | 305 | V8 | 1974 | 1974 | 10-3/8" Disc |
| 5.0 | 305 | V8 | 1974 | 1974 | 11" Disc |
| <i>FC SERIES</i> | | | | | |
| 2.2 | 134 | L4 | 1963 | 1966 | — |
| 3.7 | 226 | L6 | 1962 | 1965 | — |
| 3.7 | 226 | V6 | 1966 | 1966 | — |
| <i>GLADIATOR</i> | | | | | |
| 3.8 | 232 | L6 | 1966 | 1967 | — |
| <i>J SERIES</i> | | | | | |
| 3.8 | 232 | L6 | 1966 | 1971 | — |
| 4.2 | 256 | L6 | 1972 | 1973 | — |
| 4.2 | 256 | L6 | 1973 | 1973 | — |
| 4.2 | 256 | L6 | 1974 | 1977 | — |
| 4.2 | 256 | L6 | 1978 | 1978 | — |
| 4.2 | 256 | L6 | 1979 | 1979 | — |
| 4.2 | 256 | L6 | 1980 | 1981 | — |
| 4.2 | 256 | L6 | 1982 | 1985 | — |
| 4.2 | 256 | L6 | 1986 | 1986 | — |
| 4.2 | 256 | L6 | 1987 | 1987 | Includes Slave Cylinder |
| 5.0 | 305 | V8 | 1972 | 1972 | — |
| 5.9 | 360 | V8 | 1972 | 1979 | — |
| 5.9 | 360 | V8 | 1980 | 1988 | — |
| 6.6 | 403 | V8 | 1974 | 1978 | — |
| <i>JEEPSTER</i> | | | | | |
| 3.7 | 226 | V6 | 1966 | 1971 | — |
| 3.8 | 232 | L6 | 1972 | 1973 | — |
| 4.2 | 256 | L6 | 1972 | 1973 | 10-3/8" Disc |
| 4.2 | 256 | L6 | 1972 | 1973 | 11" Disc |
| 5.0 | 305 | V8 | 1972 | 1973 | — |
| <i>LIBERTY</i> | | | | | |
| 2.4 | 146 | L4 | 2002 | 2004 | — |
| 2.4 | 146 | L4 | 2005 | 2005 | Sold as Kit Only |
| 3.7 | 226 | V6 | 2002 | 2004 | Sold As Kit Only, Sprung Disc |
| 3.7 | 226 | V6 | 2005 | 2006 | Sold as Kit Only, Rigid Disc |
| <i>UNIVERSAL</i> | | | | | |
| 3.7 | 226 | V6 | 1966 | 1967 | — |

| Kit | Disc (mm) | Disc (in) | Spline Dia | Splines | Master Cyl | Slave Cyl | Clutch Cable | Clutch Fork | New Flywheel |
|---------|-----------|-----------|------------|---------|------------|-----------|--------------|-------------|--------------|
| 01017 | 265 | 10-1/2 | 1-1/8 | 10 | MC344 | — | — | — | — |
| 01007 | 265 | 10-1/2 | 1-1/8 | 10 | MC344 | SC833 | — | — | — |
| 01035 | 265 | 10-1/2 | 1-1/8 | 10 | MC341 | — | — | — | — |
| 01034 | 265 | 10-1/2 | 1-1/8 | 10 | MC341 | — | — | — | — |
| 01035 | 265 | 10-1/2 | 1-1/8 | 10 | MC341 | — | — | — | — |
| 01034 | 265 | 10-1/2 | 1-1/8 | 10 | — | — | — | — | — |
| 01026 | 265 | 10-1/2 | 1-1/8 | 10 | — | — | — | — | — |
| 01025 | 280 | 11 | 1-1/8 | 10 | — | — | — | — | — |
| 01015 | 263 | 10-3/8 | 1-1/16 | 10 | — | — | — | — | — |
| 01015 | 263 | 10-3/8 | 1-1/16 | 10 | MC344 | SC833 | — | — | — |
| 01029 | 265 | 10-1/2 | 1-1/8 | 10 | — | — | — | CF113 | — |
| 01029 | 265 | 10-1/2 | 1-1/8 | 10 | — | — | — | CF113 | — |
| 01029 | 265 | 10-1/2 | 1-1/8 | 10 | — | — | — | CF113 | — |
| 01026 | 265 | 10-1/2 | 1-1/8 | 10 | — | — | — | — | — |
| 01026 | 265 | 10-1/2 | 1-1/8 | 10 | — | — | — | CF111 | — |
| 01026 | 265 | 10-1/2 | 1-1/8 | 10 | — | — | — | — | — |
| 01025 | 280 | 11 | 1-1/8 | 10 | — | — | — | — | — |
| 01026 | 265 | 10-1/2 | 1-1/8 | 10 | — | — | — | — | — |
| 01025 | 280 | 11 | 1-1/8 | 10 | — | — | — | — | — |
| 01029 | 265 | 10-1/2 | 1-1/8 | 10 | — | — | — | — | — |
| 01029 | 265 | 10-1/2 | 1-1/8 | 10 | — | — | — | — | — |
| 01029 | 265 | 10-1/2 | 1-1/8 | 10 | — | — | — | CF113 | — |
| 01026 | 265 | 10-1/2 | 1-1/8 | 10 | — | — | — | — | — |
| 01026 | 265 | 10-1/2 | 1-1/8 | 10 | — | — | — | — | — |
| 01026 | 265 | 10-1/2 | 1-1/8 | 10 | — | — | — | — | — |
| 01026 | 265 | 10-1/2 | 1-1/8 | 10 | — | — | — | CF111 | — |
| 01030 | 280 | 11 | 1-1/8 | 10 | — | — | — | CF111 | — |
| 01015 | 263 | 10-3/8 | 1-1/16 | 10 | — | — | — | CF111 | — |
| 01015 | 263 | 10-3/8 | 1-1/16 | 10 | — | — | — | — | — |
| 01030 | 280 | 11 | 1-1/8 | 10 | — | — | — | — | — |
| 01017 | 265 | 10-1/2 | 1-1/8 | 10 | — | — | — | — | — |
| 01007 | 265 | 10-1/2 | 1-1/8 | 10 | — | — | — | — | — |
| 01035 | 265 | 10-1/2 | 1-1/8 | 10 | — | — | — | — | — |
| 01025 | 280 | 11 | 1-1/8 | 10 | — | — | — | — | — |
| 01025 | 280 | 11 | 1-1/8 | 10 | — | — | — | CF111 | FWCHR109 |
| 01030 | 280 | 11 | 1-1/8 | 10 | — | — | — | — | FWCHR109 |
| 01025 | 280 | 11 | 1-1/8 | 10 | — | — | — | CF111 | FWCHR110 |
| 01029 | 265 | 10-1/2 | 1-1/8 | 10 | — | — | — | CF113 | — |
| 01026 | 265 | 10-1/2 | 1-1/8 | 10 | — | — | — | — | — |
| 01026 | 265 | 10-1/2 | 1-1/8 | 10 | — | — | — | — | — |
| 01025 | 280 | 11 | 1-1/8 | 10 | — | — | — | — | — |
| 01025 | 280 | 11 | 1-1/8 | 10 | — | — | — | — | — |
| KJP01 | 228 | 9 | 1 | 19 | MC455 | SC798 | — | — | — |
| CRK1007 | 226 | 8-15/16 | 15/16 | 19 | MC455 | SC934 | — | — | — |
| KJP02 | 263 | 10-3/8 | 1-3/8 | 10 | MC455 | SC798 | — | — | — |
| CRK1006 | 265 | 10-7/16 | 1-1/8 | 10 | MC455 | — | — | — | — |
| 01029 | 265 | 10-1/2 | 1-1/8 | 10 | — | — | — | CF113 | — |

1

| Liter | CC/IN | Cyl | Years | | Application Information |
|---|-------|-----|-------|------|-------------------------|
| | | | To | From | |
| KIA | | | | | |
| <i>OPTIMA</i> | | | | | |
| 2.4 | 2351 | L4 | 2005 | 2006 | Pull Type Design |
| <i>RIO</i> | | | | | |
| 1.5 | 1493 | L4 | 2001 | 2002 | — |
| 1.6 | 1594 | L4 | 2003 | 2005 | — |
| <i>SEPHIA</i> | | | | | |
| 1.6 | 1597 | L4 | 1994 | 1997 | — |
| 1.8 | 1839 | L4 | 1995 | 1997 | — |
| 1.8 | 1793 | L4 | 1998 | 1998 | — |
| 1.8 | 1793 | L4 | 1998 | 1999 | — |
| 1.8 | 1793 | L4 | 2000 | 2001 | — |
| <i>SORENTO</i> | | | | | |
| 3.5 | 3497 | V6 | 2004 | 2006 | Sold as kit only |
| <i>SPECTRA</i> | | | | | |
| 1.8 | 1793 | L4 | 2000 | 2004 | — |
| 2.0 | 1975 | L4 | 2004 | 2004 | — |
| 2.0 | 1975 | L4 | 2005 | 2006 | Sold as kit only |
| 2.2 | — | — | 2005 | — | — |
| KIA SUV | | | | | |
| <i>SPORTAGE</i> | | | | | |
| 2.0 | 1998 | L4 | 1995 | 2002 | — |
| 2.0 | 1975 | L4 | 2005 | 2008 | — |
| <i>SOUL</i> | | | | | |
| 1.6 | 1597 | L4 | 2010 | 2011 | Sold as Kit Only |
| 2.0 | 1975 | L4 | 2011 | 2013 | Sold as Kit Only |
| LAND ROVER | | | | | |
| <i>DEFENDER</i> | | | | | |
| 3.9 | 3950 | V8 | 1993 | 1995 | Sold As Kit Only |
| <i>DISCOVERY</i> | | | | | |
| 3.9 | 3950 | V8 | 1994 | 1995 | Sold As Kit Only |
| 4.0 | 3950 | V8 | 1996 | 1997 | Sold As Kit Only |
| LEXUS (Performance Applications Available) | | | | | |
| <i>ES250</i> | | | | | |
| 2.5 | 2508 | V6 | 1990 | 1991 | — |
| 3.0 | 2959 | V6 | 1992 | 1993 | — |
| <i>IS300</i> | | | | | |
| 3.0 | 2997 | L6 | 2002 | 2003 | — |
| <i>SC300</i> | | | | | |
| 3.0 | 2997 | L6 | 1992 | 1997 | — |
| LINCOLN | | | | | |
| <i>LS</i> | | | | | |
| 3.0 | — | V6 | 2000 | 2002 | Includes Slave Cylinder |
| MAZDA(Performance Applications Available) | | | | | |
| 3 | | | | | |
| 2.0 | 2000 | L4 | 2004 | 2009 | Sold As Kit Only |
| 2.3 | 2260 | L4 | 2004 | 2009 | Sold As Kit Only |
| 323, GLC | | | | | |
| 1.3 | 1272 | L4 | 1977 | 1978 | — |
| 1.4 | 1415 | L4 | 1979 | 1980 | — |
| 1.5 | 1490 | L4 | 1981 | 1985 | — |
| 1.6 | 1597 | L4 | 1986 | 1986 | — |
| 1.6 | 1597 | L4 | 1987 | 1987 | From 7/87 |
| 1.6 | 1597 | L4 | 1987 | 1987 | To 6/87 |
| 1.6 | 1597 | L4 | 1988 | 1989 | — |

| Kit | Disc (mm) | Disc (in) | Spline Dia | Splines | Master Cyl | Slave Cyl | Clutch Cable | Clutch Fork | New Flywheel |
|---------|-----------|-----------|------------|---------|------------|-----------|--------------|-------------|--------------|
| KHY01 | 225 | 8-7/8 | 13/16 | 20 | MC560 | SC546 | — | — | — |
| KKI02 | 200 | 7-7/8 | 7/8 | 20 | — | — | — | — | — |
| KKI02 | 200 | 7-7/8 | 7/8 | 20 | — | — | — | — | — |
| 10040 | 200 | 7-7/8 | 7/8 | 20 | MC225 | SC628 | — | — | — |
| KKI01 | 225 | 8-7/8 | 15/16 | 22 | MC225 | SC629 | — | — | — |
| 10040 | 200 | 7-7/8 | 7/8 | 20 | MC225 | SC633 | — | — | — |
| KKI01 | 225 | 8-7/8 | 15/16 | 22 | MC559 | SC633 | — | — | — |
| KKI01 | 225 | 8-7/8 | 15/16 | 22 | MC225 | SC633 | — | — | — |
| KIK1001 | 240 | 9-1/2 | 1 | 23 | MC576 | — | — | — | — |
| KKI01 | 225 | 8-7/8 | 15/16 | 22 | MC559 | SC859 | — | — | — |
| KKI01 | 225 | 8-7/8 | 15/16 | 22 | — | — | — | — | — |
| KIK1000 | 215 | 8-1/2 | 13/16 | 20 | — | SC849 | — | — | — |
| 05087 | 215 | 8-7/16 | 7/8 | 20 | — | — | — | — | — |
| KKI01 | 225 | 8-7/8 | 15/16 | 22 | MC226 | SC635 | — | — | — |
| HYK1001 | 236 | 9-1/4 | 7/8 | 20 | MC513 | SC849 | — | — | — |
| KIK1002 | 215 | 8-7/16 | 7/8 | 20 | — | — | — | — | — |
| HYK1005 | 225 | 8-7/8 | 7/8 | 20 | — | — | — | — | — |
| KLR09 | 265 | 10-1/2 | 1 | 23 | — | — | — | — | — |
| KLR10 | 265 | 10-1/2 | 1 | 23 | — | SC810 | — | — | — |
| KLR10 | 265 | 10-1/2 | 1 | 23 | — | SC810 | — | — | — |
| 16082 | 236 | 9-1/4 | 1-3/16 | 21 | MC246 | SC653 | — | — | — |
| 16082 | 236 | 9-1/4 | 1-3/16 | 21 | MC540 | SC654 | — | — | — |
| KTY17 | 238 | 9-3/8 | 1-3/16 | 21 | — | — | — | — | — |
| 16085 | 236 | 9-1/4 | 1-3/16 | 21 | MC268 | SC674 | — | — | — |
| KLN01 | 238 | 9-3/8 | 1-1/8 | 10 | — | — | — | — | — |
| MZK1003 | 225 | 8-7/8 | 31/32 | 22 | — | — | — | — | — |
| MZK1003 | 225 | 8-7/8 | 31/32 | 22 | — | — | — | — | — |
| 10004 | 184 | 7-1/4 | 7/8 | 20 | — | — | — | — | — |
| 10004 | 184 | 7-1/4 | 7/8 | 20 | — | — | — | — | — |
| 10018 | 190 | 7-1/2 | 7/8 | 20 | — | — | — | — | — |
| 10018 | 190 | 7-1/2 | 7/8 | 20 | — | — | CC606 | — | — |
| 07079 | 190 | 7-1/2 | 7/8 | 20 | — | — | CC606 | — | — |
| 10018 | 190 | 7-1/2 | 7/8 | 20 | — | — | CC606 | — | — |
| 07079 | 190 | 7-1/2 | 7/8 | 20 | MC494 | SC609 | CC606 | — | — |

1

| Liter | CC/IN | Cyl | Years | | Application Information |
|-------|-------|-----|-------|------|-------------------------|
| | | | To | From | |

MAZDA(Performance Applications Available) CONT.

323, GLC CONT.

| | | | | | |
|-----|------|----|------|------|-------|
| 1.6 | 1597 | L4 | 1988 | 1989 | Turbo |
| 1.6 | 1597 | L4 | 1990 | 1994 | — |

5

| | | | | | |
|-----|------|----|------|------|------------------|
| 2.3 | 2260 | L4 | 2006 | 2009 | Sold As Kit Only |
|-----|------|----|------|------|------------------|

6

| | | | | | |
|-----|------|----|------|------|------------------|
| 2.3 | 2260 | L4 | 2003 | 2006 | Sold As Kit Only |
| 2.3 | 2260 | L4 | 2007 | 2008 | Sold As Kit Only |
| 2.5 | 2260 | L4 | 2009 | 2012 | Sold As Kit Only |
| 3.0 | 2968 | V6 | 2003 | 2007 | Sold As Kit Only |

616

| | | | | | |
|-----|------|----|------|------|---|
| 1.6 | 1586 | L4 | 1971 | 1971 | — |
|-----|------|----|------|------|---|

618

| | | | | | |
|-----|------|----|------|------|---|
| 1.8 | 1796 | L4 | 1972 | 1972 | — |
|-----|------|----|------|------|---|

626, MX-6

| | | | | | |
|-----|------|----|------|------|--------------------------------|
| 2.0 | 1970 | L4 | 1979 | 1980 | Non-Turbo |
| 2.0 | 1970 | L4 | 1981 | 1981 | Non-Turbo |
| 2.0 | 1970 | L4 | 1982 | 1982 | 8-1/2" Disc, Non-Turbo |
| 2.0 | 1970 | L4 | 1982 | 1982 | 8-7/8" Disc, Non-Turbo |
| 2.0 | 1970 | L4 | 1983 | 1983 | Non-Turbo |
| 2.0 | 1998 | L4 | 1984 | 1985 | Diesel |
| 2.0 | 1998 | L4 | 1984 | 1986 | Non-Turbo |
| 2.0 | 1998 | L4 | 1986 | 1987 | Turbo |
| 2.0 | 1991 | L4 | 1993 | 2002 | — |
| 2.2 | 2184 | L4 | 1988 | 1992 | Heavy Duty, Ductile Iron Cover |
| 2.2 | 2184 | L4 | 1988 | 1992 | Non-Turbo |
| 2.2 | 2184 | L4 | 1988 | 1992 | Turbo with ABS |
| 2.2 | 2184 | L4 | 1988 | 1992 | Turbo without ABS |
| 2.2 | 2184 | L4 | 1991 | 1991 | Non-Turbo 8-7/8 Disc |
| 2.5 | 2497 | V6 | 1993 | 2002 | — |

808

| | | | | | |
|-----|------|----|------|------|---|
| 1.6 | 1587 | L4 | 1972 | 1973 | — |
| 1.6 | 1587 | L4 | 1974 | 1977 | — |

929

| | | | | | |
|-----|------|----|------|------|---|
| 3.0 | 2954 | V6 | 1988 | 1988 | — |
|-----|------|----|------|------|---|

COSMO

| | | | | | |
|-----|------|----|------|------|---|
| 1.3 | 1308 | R2 | 1976 | 1978 | — |
|-----|------|----|------|------|---|

MIATA, MX-5 MIATA

| | | | | | |
|-----|------|----|------|------|------------------------|
| 1.6 | 1597 | L4 | 1990 | 1993 | — |
| 1.8 | 1839 | L4 | 1994 | 2005 | — |
| 2.0 | 2000 | L4 | 2006 | 2008 | 5spd, Sold as Kit Only |
| 2.0 | 2000 | L4 | 2006 | 2008 | 6spd, Sold as Kit Only |

MIZER

| | | | | | |
|-----|------|----|------|------|---|
| 1.3 | 1272 | L4 | 1976 | 1977 | — |
|-----|------|----|------|------|---|

MX-3

| | | | | | |
|-----|------|----|------|------|---|
| 1.6 | 1597 | L4 | 1992 | 1993 | — |
| 1.6 | 1597 | L4 | 1994 | 1995 | — |
| 1.8 | 1845 | V6 | 1992 | 1994 | — |

PROTEGE

| | | | | | |
|-----|------|----|------|------|------|
| 1.5 | 1489 | L4 | 1995 | 1998 | — |
| 1.6 | 1589 | L4 | 1999 | 2001 | — |
| 1.8 | 1839 | L4 | 1990 | 1991 | 4 WD |
| 1.8 | 1839 | L4 | 1990 | 1995 | 2 WD |
| 1.8 | 1839 | L4 | 1996 | 1998 | — |
| 1.8 | 1839 | L4 | 1999 | 2000 | — |
| 2.0 | 2000 | L4 | 2001 | 2003 | — |

| Kit | Disc (mm) | Disc (in) | Spline Dia | Splines | Master Cyl | Slave Cyl | Clutch Cable | Clutch Fork | New Flywheel |
|---------|-----------|-----------|------------|---------|------------|-----------|--------------|-------------|--------------|
| 10029 | 225 | 8-7/8 | 15/16 | 22 | MC494 | SC609 | — | — | — |
| 10043 | 190 | 7-1/2 | 7/8 | 20 | MC221 | SC628 | — | — | — |
| MZK1003 | 225 | 8-7/8 | 31/32 | 22 | — | — | — | — | — |
| MZK1000 | 215 | 8-1/2 | 15/16 | 22 | MC221 | SC877 | — | — | — |
| MZK1000 | 215 | 8-1/2 | 15/16 | 22 | MC221 | — | — | — | — |
| MZK1008 | 230 | 9-1/16 | 15/16 | 22 | — | — | — | — | — |
| MZK1001 | 240 | 9-1/2 | 1-1/16 | 23 | MC221 | SC877 | — | — | — |
| 10011 | 200 | 7-7/8 | 15/16 | 22 | — | — | — | — | — |
| 10010 | 215 | 8-1/2 | 15/16 | 22 | — | — | — | — | — |
| 10005 | 215 | 8-1/2 | 15/16 | 22 | MC203 | SC623 | — | — | — |
| 10005 | 215 | 8-1/2 | 15/16 | 22 | MC206 | SC624 | — | — | — |
| 10005 | 215 | 8-1/2 | 15/16 | 22 | MC206 | SC624 | — | — | — |
| 10029 | 225 | 8-7/8 | 15/16 | 22 | MC206 | SC816 | CC607 | — | — |
| 10029 | 225 | 8-7/8 | 15/16 | 22 | — | — | CC607 | — | — |
| 10029 | 225 | 8-7/8 | 15/16 | 22 | — | — | CC607 | — | — |
| 10029 | 225 | 8-7/8 | 15/16 | 22 | — | — | CC607 | — | — |
| 10015 | 225 | 8-7/8 | 15/16 | 22 | — | — | CC607 | — | — |
| 07094 | 225 | 8-7/8 | 15/16 | 22 | MC213 | SC630 | — | — | — |
| 10029D | 225 | 8-7/8 | 15/16 | 22 | MC211 | SC606 | — | — | — |
| 10029 | 225 | 8-7/8 | 15/16 | 22 | MC211 | SC606 | — | — | — |
| 07067 | 240 | 9-1/2 | 1-1/16 | 23 | MC212 | SC607 | — | — | — |
| 07067 | 240 | 9-1/2 | 1-1/16 | 23 | MC211 | SC607 | — | — | — |
| 10029 | 225 | 8-7/8 | 15/16 | 22 | MC211 | SC606 | — | — | — |
| 07095 | 225 | 8-7/8 | 15/16 | 22 | MC213 | SC630 | — | — | — |
| 10011 | 200 | 7-7/8 | 15/16 | 22 | MC479 | — | — | — | — |
| 10011 | 200 | 7-7/8 | 15/16 | 22 | MC479 | SC623 | — | — | — |
| 10032 | 240 | 9-1/2 | 1-1/16 | 23 | — | SC828 | — | — | — |
| 07021 | 215 | 8-1/2 | 15/16 | 22 | MC203 | — | — | — | — |
| 10036 | 200 | 7-7/8 | 15/16 | 22 | MC229 | SC825 | — | — | — |
| KMZ03 | 215 | 8-1/2 | 15/16 | 22 | MC229 | SC825 | — | — | — |
| MZK1005 | 215 | 8-1/2 | 31/32 | 22 | MC575 | SC908 | — | — | — |
| MZK1006 | 215 | 8-1/2 | 1-1/32 | 23 | MC575 | SC908 | — | — | — |
| KMZ05 | 184 | 7-1/4 | 7/8 | 20 | MC479 | SC812 | — | — | — |
| 10043 | 190 | 7-1/2 | 7/8 | 20 | MC221 | SC628 | — | — | — |
| KMZ04 | 200 | 7-7/8 | 7/8 | 20 | MC221 | SC628 | — | — | — |
| KMZ02 | 225 | 8-7/8 | 15/16 | 22 | MC221 | SC630 | — | — | — |
| KMZ04 | 200 | 7-7/8 | 7/8 | 20 | MC221 | SC628 | — | — | — |
| KMZ04 | 200 | 7-7/8 | 7/8 | 20 | MC213 | SC628 | — | — | — |
| 07074 | 225 | 8-7/8 | 15/16 | 22 | MC221 | SC629 | — | — | — |
| 10040 | 200 | 7-7/8 | 7/8 | 20 | MC221 | SC628 | — | — | — |
| 10040 | 200 | 7-7/8 | 7/8 | 20 | MC221 | SC628 | — | — | — |
| KMZ04 | 200 | 7-7/8 | 7/8 | 20 | MC213 | SC860 | — | — | — |
| KMZ08 | 225 | 8-7/8 | 15/16 | 22 | MC213 | — | — | — | — |

1

| Liter | CC/IN | Cyl | Years | | Application Information |
|-------|-------|-----|-------|------|-------------------------|
| | | | To | From | |

MAZDA(Performance Applications Available) CONT.

| | | | | | |
|-------------|------|----|------|------|---|
| R100 | | | | | |
| 1.1 | 1146 | R2 | 1971 | 1972 | — |
| RX-2 | | | | | |
| 1.1 | 1146 | R2 | 1971 | 1974 | — |
| RX-3 | | | | | |
| 1.1 | 1146 | R2 | 1972 | 1978 | — |
| RX-4 | | | | | |
| 1.3 | 1308 | R2 | 1974 | 1978 | — |
| RX-7 | | | | | |
| 1.1 | 1146 | R2 | 1979 | 1979 | To 3/79 |
| 1.1 | 1146 | R2 | 1979 | 1982 | From 4/79 |
| 1.1 | 1146 | R2 | 1983 | 1983 | — |
| 1.1 | 1146 | R2 | 1984 | 1985 | — |
| 1.3 | 1308 | R2 | 1984 | 1988 | Non-Turbo |
| 1.3 | 1308 | R2 | 1987 | 1988 | Turbo |
| 1.3 | 1308 | R2 | 1989 | 1991 | Non-Turbo |
| 1.3 | 1308 | R2 | 1989 | 1991 | Turbo, Sold As Kit Only |
| 1.3 | 1308 | R2 | 1993 | 1995 | Pull Type, Turbo, Sold As Kit Only |
| RX-8 | | | | | |
| 1.3 | 1308 | R2 | 2004 | 2005 | Sold As Kit Only |
| 1.3 | 1308 | R2 | 2006 | 2007 | Sold As Kit Only, WAD Style Patented Disc |

MAZDA LIGHT TRUCK, SUV & VAN

| | | | | | |
|--------------|------|----|------|------|--|
| B1600 | | | | | |
| 1.6 | 1586 | L4 | 1972 | 1975 | — |
| 1.6 | 1586 | L4 | 1976 | 1976 | — |
| B1800 | | | | | |
| 1.8 | 1796 | L4 | 1977 | 1978 | — |
| B2000 | | | | | |
| 2.0 | 1970 | L4 | 1979 | 1979 | — |
| 2.0 | 1970 | L4 | 1980 | 1984 | — |
| 2.0 | 1998 | L4 | 1986 | 1987 | — |
| B2200 | | | | | |
| 2.2 | 2209 | L4 | 1982 | 1984 | Diesel |
| 2.2 | 2184 | L4 | 1987 | 1993 | — |
| B2300 | | | | | |
| 2.3 | 2295 | L4 | 1994 | 1994 | — |
| 2.3 | 2295 | L4 | 1995 | 2006 | Self Adjusting Clutch |
| 2.3 | 2294 | L4 | 1995 | 2006 | Non Self Adjusting Clutch, Economy EXEDY version |
| B2500 | | | | | |
| 2.5 | 2492 | L4 | 1998 | 2001 | Non Self Adjusting Clutch, Economy EXEDY version |
| 2.5 | 2492 | L4 | 1998 | 2001 | Self Adjusting Clutch |
| B2600 | | | | | |
| 2.6 | 2555 | L4 | 1987 | 1988 | Carbureted |
| 2.6 | 2606 | L4 | 1989 | 1993 | Fuel Injected |
| B3000 | | | | | |
| 3.0 | 2983 | V6 | 1994 | 1994 | To Oct 31/1998 |
| 3.0 | 2983 | V6 | 1995 | 2006 | Non Self Adjusting Clutch, Economy EXEDY version |
| 3.0 | 2983 | V6 | 1995 | 2006 | Self Adjusting Clutch |
| B4000 | | | | | |
| 4.0 | 4016 | V6 | 1994 | 1998 | — |
| 4.0 | 4016 | V6 | 1999 | 2000 | Self Adjusting Clutch |
| 4.0 | 4016 | V6 | 2001 | 2008 | Self Adjusting Clutch |
| MPV | | | | | |
| 2.6 | 2606 | L4 | 1989 | 1991 | — |
| 3.0 | 2954 | V6 | 1989 | 1991 | — |

| Kit | Disc (mm) | Disc (in) | Spline Dia | Splines | Master Cyl | Slave Cyl | Clutch Cable | Clutch Fork | New Flywheel |
|---------|-----------|-----------|------------|---------|------------|-----------|--------------|-------------|--------------|
| KMZ07 | 200 | 7-7/8 | 13/16 | 13 | — | — | — | — | — |
| 07021 | 215 | 8-1/2 | 15/16 | 22 | — | — | — | — | — |
| 07021 | 215 | 8-1/2 | 15/16 | 22 | MC479 | — | — | — | — |
| 07021 | 215 | 8-1/2 | 15/16 | 22 | MC203 | — | — | — | — |
| 07020 | 215 | 8-1/2 | 15/16 | 22 | MC203 | — | — | — | — |
| 07020 | 215 | 8-1/2 | 15/16 | 22 | MC205 | SC611 | — | — | — |
| 10025 | 225 | 8-7/8 | 15/16 | 22 | MC205 | SC612 | — | — | — |
| 10025 | 225 | 8-7/8 | 15/16 | 22 | MC207 | SC612 | — | — | — |
| 10025 | 225 | 8-7/8 | 15/16 | 22 | MC210 | SC611 | — | — | — |
| 07067 | 240 | 9-1/2 | 1-1/16 | 23 | MC210 | SC614 | — | — | — |
| 10038 | 225 | 8-7/8 | 15/16 | 22 | MC210 | SC613 | — | — | — |
| 10037 | 230 | 9-1/16 | 1-1/16 | 23 | MC210 | SC614 | — | — | — |
| KMZ01 | 237 | 9-5/16 | 1-1/16 | 23 | MC495 | — | — | — | — |
| MZK1002 | 236 | 9-1/4 | 1-1/32 | 23 | MC487 | — | — | — | — |
| MZK1007 | 236 | 9-1/4 | 1-1/32 | 23 | MC487 | — | — | — | — |
| 10011 | 200 | 7-7/8 | 15/16 | 22 | MC477 | — | — | — | — |
| 10011 | 200 | 7-7/8 | 15/16 | 22 | MC480 | SC623 | — | — | — |
| 07021 | 215 | 8-1/2 | 15/16 | 22 | MC203 | SC623 | — | — | — |
| 07020 | 215 | 8-1/2 | 15/16 | 22 | — | SC623 | — | — | — |
| 07020 | 215 | 8-1/2 | 15/16 | 22 | MC219 | SC623 | — | — | — |
| 10029 | 225 | 8-7/8 | 15/16 | 22 | MC202 | SC620 | — | — | — |
| 10025 | 225 | 8-7/8 | 15/16 | 22 | MC219 | SC618 | — | — | — |
| 10029 | 225 | 8-7/8 | 15/16 | 22 | MC202 | SC620 | — | — | — |
| 07093 | 225 | 8-7/8 | 1 | 23 | MC365 | SC778 | — | — | — |
| KFM30 | 225 | 8-7/8 | 1 | 23 | MC367 | SC778 | — | — | — |
| KFM07 | 225 | 8-7/8 | 1 | 23 | MC367 | SC778 | — | — | — |
| KFM07 | 225 | 8-7/8 | 1 | 23 | MC367 | SC778 | — | — | — |
| KFM30 | 225 | 8-7/8 | 1 | 23 | MC367 | SC778 | — | — | — |
| 07067 | 240 | 9-1/2 | 1-1/16 | 23 | MC202 | SC624 | — | — | — |
| 10042 | 250 | 9-7/8 | 1-1/16 | 23 | MC202 | SC626 | — | — | — |
| 07099 | 225 | 8-7/8 | 1 | 23 | MC364 | SC778 | — | — | — |
| KFM06 | 228 | 9 | 1 | 23 | MC367 | SC778 | — | — | — |
| KFM30 | 228 | 9 | 1 | 23 | MC367 | SC778 | — | — | — |
| 07096 | 254 | 10 | 1-1/16 | 23 | MC367 | SC778 | — | — | — |
| 07139 | 257 | 10-1/8 | 1-1/16 | 23 | MC367 | SC778 | — | — | — |
| FMK1000 | 257 | 10-1/8 | 1 | 23 | MC367 | SC778 | — | — | — |
| 10034 | 250 | 9-7/8 | 1-1/16 | 23 | MC220 | SC622 | — | — | — |
| 10034 | 250 | 9-7/8 | 1-1/16 | 23 | MC220 | SC625 | — | — | — |

1

| Liter | CC/IN | Cyl | Years | | Application Information |
|-------|-------|-----|-------|------|-------------------------|
| | | | To | From | |

MAZDA LIGHT TRUCK, SUV & VAN CONT.

NAVAJO

| | | | | | |
|-----|------|----|------|------|-----------|
| 4.0 | 4016 | V6 | 1991 | 1991 | — |
| 4.0 | 4016 | V6 | 1992 | 1992 | From 4/92 |
| 4.0 | 4016 | V6 | 1992 | 1992 | To 3/92 |
| 4.0 | 4016 | V6 | 1993 | 1994 | — |

TRIBUTE

| | | | | | |
|-----|------|----|------|------|---|
| 2.0 | 1991 | L4 | 2001 | 2004 | — |
| 2.3 | 2299 | L4 | 2005 | 2008 | Sold as Kit Only, Includes CSC Hydraulic Slave Cylinder |

MERCEDES-BENZ

190 SERIES

| | | | | | |
|-----|------|----|------|------|--|
| 2.2 | 2197 | L4 | 1984 | 1985 | Diesel, Sold As Kit Only |
| 2.3 | 2299 | L4 | 1984 | 1987 | 8 Valve |
| 2.3 | 2299 | L4 | 1986 | 1987 | 16 Valve |
| 2.3 | 2299 | L4 | 1988 | 1988 | — |
| 2.3 | 2299 | L4 | 1991 | 1993 | Sold As Kit Only |
| 2.5 | 2497 | L5 | 1986 | 1989 | Diesel |
| 2.6 | 2599 | L6 | 1987 | 1989 | — |
| 2.6 | 2599 | L6 | 1990 | 1990 | From Chassis # F640695, Sold As Kit Only |
| 2.6 | 2599 | L6 | 1990 | 1990 | To Chassis # F640694 |
| 2.6 | 2599 | L6 | 1991 | 1993 | Sold As Kit Only |

200 SERIES

| | | | | | |
|-----|------|----|------|------|----------------------------|
| 2.0 | 1991 | L4 | 1966 | 1967 | — |
| 2.0 | 1991 | L4 | 1966 | 1968 | Diesel to Chassis # 303314 |

220 SERIES

| | | | | | |
|-----|------|----|------|------|----------------------------|
| 2.2 | 2197 | L4 | 1968 | 1973 | — |
| 2.2 | 2197 | L4 | 1969 | 1976 | Diesel, To Chasis #F463499 |

230 SERIES

| | | | | | |
|-----|------|----|------|------|---|
| 2.3 | 2306 | L6 | 1963 | 1967 | — |
|-----|------|----|------|------|---|

240 SERIES

| | | | | | |
|-----|------|----|------|------|--------|
| 2.4 | 2404 | L4 | 1974 | 1983 | Diesel |
|-----|------|----|------|------|--------|

260 SERIES

| | | | | | |
|-----|------|----|------|------|---|
| 2.6 | 2599 | L6 | 1987 | 1989 | — |
|-----|------|----|------|------|---|

C230

| | | | | | |
|-----|------|----|------|------|---|
| 1.8 | 1796 | L4 | 2003 | 2003 | Includes Slave Cylinder, Sold As Kit Only |
| 1.8 | 1796 | L4 | 2004 | 2004 | Sold as Kit Only, Includes CSC Hydraulic Slave Cylinder |
| 1.8 | 1796 | L4 | 2005 | 2005 | Sold as Kit Only, Includes CSC Hydraulic Slave Cylinder |
| 2.5 | 2496 | V6 | 2006 | 2007 | Sold as Kit Only, Includes CSC Hydraulic Slave Cylinder |

C240 SERIES

| | | | | | |
|-----|------|----|------|------|---|
| 2.6 | 2597 | V6 | 2001 | 2003 | Includes Slave Cylinder, Sold As Kit Only |
| 3.2 | 3199 | V6 | 2003 | 2003 | Includes Slave Cylinder, Sold As Kit Only |
| 3.2 | 3199 | V6 | 2004 | 2005 | Sold as Kit Only, Includes CSC Hydraulic Slave Cylinder |

SLK230

| | | | | | |
|-----|------|----|------|------|---|
| 2.3 | 2295 | L4 | 2001 | 2003 | Sold as Kit Only |
| 2.3 | 2295 | L4 | 2004 | 2004 | Sold as Kit Only, Includes CSC Hydraulic Slave Cylinder |

SLK280

| | | | | | |
|-----|------|----|------|------|------------------|
| 3.0 | 2996 | V6 | 2006 | 2008 | Sold as Kit Only |
|-----|------|----|------|------|------------------|

SLK320

| | | | | | |
|-----|------|----|------|------|---|
| 3.2 | 3199 | V6 | 2001 | 2004 | Sold as Kit Only, Includes CSC Hydraulic Slave Cylinder |
|-----|------|----|------|------|---|

SLK350

| | | | | | |
|-----|------|----|------|------|------------------|
| 3.5 | 3498 | V6 | 2005 | 2008 | Sold as Kit Only |
|-----|------|----|------|------|------------------|

MERCURY

BOBCAT

| | | | | | |
|-----|-----|----|------|------|---|
| 2.3 | 140 | L4 | 1975 | 1980 | — |
|-----|-----|----|------|------|---|

CALIENTE, CYCLONE, MARQUIS, MONTCLAIR, MONTEREY, PARK LANE

| | | | | | |
|-----|-----|----|------|------|---|
| 4.3 | 262 | V8 | 1964 | 1964 | — |
| 5.0 | 302 | V8 | 1968 | 1970 | — |

| Kit | Disc (mm) | Disc (in) | Spline Dia | Splines | Master Cyl | Slave Cyl | Clutch Cable | Clutch Fork | New Flywheel |
|---------|-----------|-----------|------------|---------|------------|-----------|--------------|-------------|--------------|
| 07077 | 254 | 10 | 1-1/16 | 23 | MC353 | SC783 | — | — | — |
| 07077 | 254 | 10 | 1-1/16 | 23 | MC364 | SC783 | — | — | — |
| 07077 | 254 | 10 | 1-1/16 | 23 | MC359 | SC783 | — | — | — |
| 07096 | 254 | 10 | 1-1/16 | 23 | MC364 | SC778 | — | — | — |
| KFM16 | 225 | 8-7/8 | 15/16 | 22 | MC370 | SC740 | — | — | — |
| FMK1019 | 240 | 9-7/16 | 1 | 23 | — | — | — | — | — |
| KME02 | 203 | 8 | 1-1/8 | 26 | — | — | — | — | — |
| 11005 | 215 | 8-1/2 | 1-1/16 | 26 | — | — | — | — | — |
| 11007 | 211 | 8-5/16 | 1-1/8 | 26 | — | — | — | — | — |
| 11009 | 215 | 8-1/2 | 1-1/8 | 24 | — | — | — | — | — |
| KME01 | 228 | 9 | 1-1/8 | 26 | — | — | — | — | — |
| 11008 | 215 | 8-1/2 | 1-1/16 | 26 | — | — | — | — | — |
| 11009 | 215 | 8-1/2 | 1-1/8 | 24 | — | — | — | — | — |
| KME01 | 228 | 9 | 1-1/8 | 26 | — | — | — | — | — |
| 11009 | 215 | 8-1/2 | 1-1/8 | 24 | — | — | — | — | — |
| KME01 | 228 | 9 | 1-1/8 | 26 | — | — | — | — | — |
| 11010 | 215 | 8-1/2 | 1-1/8 | 10 | — | — | — | — | — |
| 11010 | 215 | 8-1/2 | 1-1/8 | 10 | — | — | — | — | — |
| 11010 | 215 | 8-1/2 | 1-1/8 | 10 | — | — | — | — | — |
| 11011 | 215 | 8-1/2 | 1-1/8 | 10 | — | — | — | — | — |
| 11010 | 215 | 8-1/2 | 1-1/8 | 10 | — | — | — | — | — |
| 11011 | 215 | 8-1/2 | 1-1/8 | 10 | MC492 | — | — | — | — |
| 11035 | 215 | 8-1/2 | 1-1/8 | 24 | — | — | — | — | — |
| KME03 | 232 | 9-1/8 | 1-1/8 | 26 | — | — | — | — | — |
| BZK1000 | 240 | 9-7/16 | 1-1/16 | 26 | — | — | — | — | — |
| BZK1002 | 228 | 9 | 1-1/16 | 26 | — | — | — | — | — |
| BZK1002 | 228 | 9 | 1-1/16 | 26 | — | — | — | — | — |
| KME03 | 232 | 9-1/8 | 1-1/8 | 26 | — | — | — | — | — |
| KME03 | 232 | 9-1/8 | 1-1/8 | 26 | — | — | — | — | — |
| BZK1003 | 240 | 9-7/16 | 1-1/16 | 26 | — | — | — | — | — |
| BZK1005 | 228 | 9 | 1 1/16 | 26 | — | — | — | — | — |
| BZK1001 | 228 | 9 | 1-1/16 | 26 | — | — | — | — | — |
| BZK1004 | 239 | 9 3/8 | 1 1/8 | 26 | — | — | — | — | — |
| CRK1009 | 240 | 9-7/16 | 1-1/8 | 26 | — | — | — | — | — |
| BZK1004 | 239 | 9 3/8 | 1 1/8 | 26 | — | — | — | — | — |
| 07003 | 215 | 8-1/2 | 1-1/32 | 23 | — | — | — | — | — |
| 07014 | 254 | 10 | 1-1/16 | 10 | — | — | — | — | — |
| 07014 | 254 | 10 | 1-1/16 | 10 | — | — | — | — | — |

1

| Liter | CC/IN | Cyl | Years | | Application Information |
|---|-------|-----|-------|------|--|
| | | | To | From | |
| MERCURY CONT. | | | | | |
| <i>CALIENTE, CYCLONE, MARQUIS, MONTCLAIR, MONTEREY, PARK LANE CONT.</i> | | | | | |
| 5.8 | 354 | V8 | 1971 | 1972 | Diaph Clutch |
| 5.8 | 354 | V8 | 1971 | 1972 | Lever Clutch |
| 6.4 | 391 | V8 | 1962 | 1970 | Diaph Clutch |
| 6.4 | 391 | V8 | 1962 | 1970 | Lever Clutch |
| CAPRI | | | | | |
| 1.6 | 98 | L4 | 1991 | 1994 | Non-Turbo |
| 1.6 | 98 | L4 | 1991 | 1994 | Turbo |
| 2.3 | 140 | L4 | 1976 | 1977 | Ford 4 Spd, Non-Turbo, 10 Spline Disc |
| 2.3 | 140 | L4 | 1979 | 1979 | Turbo |
| 2.3 | 140 | L4 | 1979 | 1986 | Non-Turbo, 4 Spd, 23 Spline Disc |
| 2.3 | 140 | L4 | 1980 | 1983 | Ford 4 Spd, Non-Turbo, 10 Spline Disc |
| 2.3 | 140 | L4 | 1981 | 1981 | 5 Spd, Non-Turbo, 10 Spline Disc, 10/1/80-11/30/80 |
| 2.3 | 140 | L4 | 1981 | 1983 | 5 Spd, Non-Turbo, 23 Spline Disc, From 12/1/80 |
| 2.3 | 140 | L4 | 1982 | 1983 | Turbo |
| 2.3 | 140 | L4 | 1983 | 1985 | 5 Spd, 10 Spline Disc |
| 2.3 | 140 | L4 | 1986 | 1986 | 3 Spd, 10 Spline Disc |
| 3.3 | 201 | L6 | 1979 | 1982 | — |
| 5.0 | 302 | V8 | 1979 | 1979 | — |
| 5.0 | 302 | V8 | 1982 | 1985 | — |
| 5.0 | 302 | V8 | 1986 | 1986 | Heavy Duty, Sold As Kit Only |
| 5.0 | 302 | V8 | 1986 | 1986 | Standard |
| COMET | | | | | |
| 4.1 | 250 | L6 | 1974 | 1977 | — |
| 4.3 | 262 | V8 | 1963 | 1964 | — |
| 4.7 | 287 | V8 | 1966 | 1967 | — |
| 5.0 | 302 | V8 | 1968 | 1969 | — |
| 5.0 | 302 | V8 | 1971 | 1974 | — |
| 5.0 | 302 | V8 | 1975 | 1977 | — |
| 5.8 | 354 | V8 | 1969 | 1969 | Diaph Clutch |
| 5.8 | 354 | V8 | 1969 | 1969 | Heavy Duty Diaph Clutch |
| 5.8 | 354 | V8 | 1969 | 1969 | Lever Clutch |
| 6.4 | 391 | V8 | 1966 | 1969 | Diaph Clutch |
| 6.4 | 391 | V8 | 1966 | 1969 | Heavy Duty Diaph Clutch |
| 6.4 | 391 | V8 | 1966 | 1969 | Lever Clutch |
| COUGAR | | | | | |
| 2.0 | 122 | L4 | 1999 | 2002 | Includes Slave Cylinder |
| 2.3 | 140 | L4 | 1985 | 1986 | Turbo |
| 2.5 | 153 | V6 | 1999 | 2002 | Includes Slave Cylinder |
| 2.5 | 153 | V6 | 1999 | 2002 | Kit does not include Slave Cylinder |
| 4.7 | 287 | V8 | 1967 | 1968 | — |
| 5.0 | 302 | V8 | 1968 | 1970 | — |
| 5.8 | 354 | V8 | 1969 | 1973 | Diaph Clutch with External Balance Flywheel |
| 5.8 | 354 | V8 | 1969 | 1973 | Heavy Duty Diaph Clutch with External Balance Flywheel |
| 5.8 | 354 | V8 | 1969 | 1973 | Heavy Duty Diaph Clutch with Internal Balance Flywheel |
| 5.8 | 354 | V8 | 1969 | 1973 | Lever Clutch with Internal Balance Flywheel |
| 6.4 | 391 | V8 | 1967 | 1969 | Diaph Clutch |
| 6.4 | 391 | V8 | 1967 | 1969 | Heavy Duty Diaph Clutch |
| 6.4 | 391 | V8 | 1967 | 1969 | Lever Clutch |
| LYNX, LN7 | | | | | |
| 1.6 | 98 | L4 | 1981 | 1982 | — |
| 1.9 | 116 | L4 | 1985 | 1987 | — |
| MILAN | | | | | |
| 2.3 | 140 | L4 | 2006 | 2009 | Sold As Kit Only |

| Kit | Disc (mm) | Disc (in) | Spline Dia | Splines | Master Cyl | Slave Cyl | Clutch Cable | Clutch Fork | New Flywheel |
|---------|-----------|-----------|------------|---------|------------|-----------|--------------|-------------|--------------|
| KFM10 | 280 | 11 | 1-1/16 | 10 | — | — | — | — | — |
| 07027L | 280 | 11 | 1-1/16 | 10 | — | — | — | — | — |
| KFM10 | 280 | 11 | 1-1/16 | 10 | — | — | — | — | — |
| 07027L | 280 | 11 | 1-1/16 | 10 | — | — | — | — | — |
| 10040 | 200 | 7-7/8 | 7/8 | 20 | — | SC607 | — | — | — |
| 10029 | 225 | 8-7/8 | 15/16 | 22 | — | — | — | — | — |
| 07006 | 215 | 8-7/16 | 1-1/16 | 10 | — | — | — | — | — |
| 07006 | 215 | 8-7/16 | 1-1/16 | 10 | — | — | — | — | — |
| 07003 | 215 | 8-1/2 | 1-1/32 | 23 | — | — | — | — | — |
| 07030 | 215 | 8-7/16 | 1-1/16 | 10 | — | — | — | — | — |
| 07006 | 215 | 8-7/16 | 1-1/16 | 10 | — | — | — | — | — |
| 07029 | 215 | 8-1/2 | 1-1/16 | 23 | — | — | — | — | — |
| 07006 | 215 | 8-7/16 | 1-1/16 | 10 | — | — | — | — | — |
| 07038 | 225 | 8-7/8 | 1-1/16 | 10 | — | — | CC315 | — | — |
| 07038 | 225 | 8-7/8 | 1-1/16 | 10 | — | — | CC315 | — | — |
| 07003 | 215 | 8-1/2 | 1-1/32 | 23 | — | — | — | — | — |
| 07005 | 254 | 10 | 1-1/16 | 10 | — | — | — | — | — |
| 07005 | 254 | 10 | 1-1/16 | 10 | — | — | CC318 | — | — |
| KFM08HP | 265 | 10-1/2 | 1-1/16 | 10 | — | — | CC318 | — | FWFM112 |
| 07042 | 265 | 10-1/2 | 1-1/16 | 10 | — | — | CC318 | — | FWFM112 |
| 07016 | 254 | 10 | 1-1/16 | 10 | — | — | — | — | — |
| 07014 | 254 | 10 | 1-1/16 | 10 | — | — | — | — | — |
| 07014 | 254 | 10 | 1-1/16 | 10 | — | — | — | — | — |
| 07014 | 254 | 10 | 1-1/16 | 10 | — | — | — | — | — |
| 07014 | 254 | 10 | 1-1/16 | 10 | — | — | — | — | — |
| 07016 | 254 | 10 | 1-1/16 | 10 | — | — | — | — | — |
| KFM10 | 280 | 11 | 1-1/16 | 10 | — | — | — | — | FWFM113 |
| KFM10HP | 280 | 11 | 1-1/16 | 10 | — | — | — | — | FWFM113 |
| 07027L | 280 | 11 | 1-1/16 | 10 | — | — | — | — | FWFM113 |
| KFM10 | 280 | 11 | 1-1/16 | 10 | — | — | — | — | FWFM113 |
| KFM10HP | 280 | 11 | 1-1/16 | 10 | — | — | — | — | FWFM113 |
| 07027L | 280 | 11 | 1-1/16 | 10 | — | — | — | — | FWFM113 |
| 07136 | 240 | 9-1/2 | 1 | 23 | MC119 | — | — | — | — |
| 07038 | 225 | 8-7/8 | 1-1/16 | 10 | — | — | CC315 | — | — |
| 07137 | 240 | 9-1/2 | 1 | 23 | MC119 | — | — | — | — |
| 07137LB | 240 | 9-1/2 | 1 | 23 | MC119 | — | — | — | — |
| 07014 | 254 | 10 | 1-1/16 | 10 | — | — | — | — | — |
| 07014 | 254 | 10 | 1-1/16 | 10 | — | — | — | — | — |
| KFM10 | 280 | 11 | 1-1/16 | 10 | — | — | — | — | FWFM116 |
| KFM10HP | 280 | 11 | 1-1/16 | 10 | — | — | — | — | FWFM116 |
| KFM10HP | 280 | 11 | 1-1/16 | 10 | — | — | — | — | FWFM113 |
| 07027L | 280 | 11 | 1-1/16 | 10 | — | — | — | — | FWFM113 |
| KFM10 | 280 | 11 | 1-1/16 | 10 | — | — | — | — | FWFM113 |
| KFM10HP | 280 | 11 | 1-1/16 | 10 | — | — | — | — | FWFM113 |
| 07027L | 280 | 11 | 1-1/16 | 10 | — | — | — | — | FWFM113 |
| 07002 | 200 | 7-7/8 | 7/8 | 20 | — | — | — | — | — |
| 07010 | 215 | 8-7/16 | 7/8 | 20 | — | — | — | — | — |
| FMK1004 | 225 | 8-7/8 | 15/16 | 22 | MC221 | SC877 | — | — | — |

1

| Liter | CC/IN | Cyl | Years | | Application Information |
|-------|-------|-----|-------|------|-------------------------|
| | | | To | From | |

MERCURY CONT.

MONARCH

| | | | | | |
|-----|-----|----|------|------|-------|
| 4.1 | 250 | L6 | 1975 | 1980 | — |
| 5.0 | 302 | V8 | 1977 | 1979 | 3 Spd |

MONTEGO

| | | | | | |
|-----|-----|----|------|------|-------------------------|
| 4.1 | 250 | L6 | 1969 | 1973 | — |
| 5.0 | 302 | V8 | 1969 | 1974 | — |
| 5.8 | 354 | V8 | 1969 | 1974 | Diaph Clutch |
| 5.8 | 354 | V8 | 1969 | 1974 | Heavy Duty Diaph Clutch |
| 5.8 | 354 | V8 | 1969 | 1974 | Lever Clutch |
| 6.4 | 391 | V8 | 1968 | 1969 | Diaph Clutch |
| 6.4 | 391 | V8 | 1968 | 1969 | Heavy Duty Diaph Clutch |
| 6.4 | 391 | V8 | 1968 | 1969 | Lever Clutch |

MYSTIQUE

| | | | | | |
|-----|-----|----|------|------|-------------------------------------|
| 2.0 | 122 | L4 | 1995 | 2000 | Includes Slave Cylinder |
| 2.5 | 153 | V6 | 1995 | 2000 | Includes Slave Cylinder |
| 2.5 | 153 | V6 | 1995 | 2000 | Kit does not include Slave Cylinder |

TOPAZ

| | | | | | |
|-----|-----|----|------|------|---|
| 2.3 | 140 | L4 | 1984 | 1987 | — |
| 2.3 | 140 | L4 | 1988 | 1994 | — |

TRACER

| | | | | | |
|-----|-----|----|------|------|---|
| 1.6 | 98 | L4 | 1987 | 1989 | — |
| 1.8 | 110 | L4 | 1991 | 1996 | — |
| 1.9 | 116 | L4 | 1991 | 1996 | — |
| 2.0 | 122 | L4 | 1997 | 1997 | — |
| 2.0 | 122 | L4 | 1998 | 1998 | — |

ZEPHYR

| | | | | | |
|-----|-----|----|------|------|---|
| 2.3 | 140 | L4 | 1978 | 1983 | — |
| 3.3 | 201 | L6 | 1978 | 1981 | — |
| 5.0 | 302 | V8 | 1978 | 1978 | — |
| 5.0 | 302 | V8 | 1979 | 1979 | — |

MERKUR

SCORPIO

| | | | | | |
|-----|-----|----|------|------|---|
| 2.9 | 177 | V6 | 1988 | 1989 | — |
|-----|-----|----|------|------|---|

XR4TI

| | | | | | |
|-----|-----|----|------|------|-------|
| 2.3 | 140 | L4 | 1985 | 1989 | Turbo |
|-----|-----|----|------|------|-------|

MG

MGB, MGB GT

| | | | | | |
|-----|------|----|------|------|------------------|
| 1.8 | 1798 | L4 | 1963 | 1980 | Sold As Kit Only |
| 1.8 | 1798 | L4 | 1981 | 1981 | Sold As Kit Only |

MIDGET

| | | | | | |
|-----|------|----|------|------|------------------|
| 1.0 | 1000 | L4 | 1962 | 1962 | Sold As Kit Only |
| 1.3 | 1275 | L4 | 1967 | 1974 | Sold As Kit Only |
| 1.5 | 1493 | L4 | 1975 | 1979 | Sold As Kit Only |

MINI (Performance Applications Available)

COOPER

| | | | | | |
|-----|------|----|------|------|------------------------------|
| 1.6 | 1600 | L4 | 2002 | 2004 | 5 Spd, Sold As Kit Only |
| 1.6 | 1600 | L4 | 2005 | 2005 | From 7/04, Sold as Kit Only |
| 1.6 | 1600 | L4 | 2006 | 2007 | From 11/06, Sold as Kit Only |

COOPER S

| | | | | | |
|-----|------|----|------|------|--|
| 1.6 | 1600 | L4 | 2002 | 2008 | 6 Spd Supercharged, Sold as Kit Only, Fits Dual Mass FW |
| 1.6 | 1600 | L4 | 2002 | 2008 | 6 Spd Supercharged, Solid FW Conversion, Sold as Kit Only, Includes Solid FW |

MITSUBISHI (Performance Applications Available)

3000GT

| | | | | | |
|-----|------|----|------|------|---|
| 3.0 | 2972 | V6 | 1991 | 1991 | Turbo, 1/1/91 - 1/31/91, Sold As Kit Only |
| 3.0 | 2972 | V6 | 1991 | 1999 | Non-Turbo, Sold As Kit Only |
| 3.0 | 2972 | V6 | 1992 | 1999 | Turbo, Sold As Kit Only |

| Kit | Disc (mm) | Disc (in) | Spline Dia | Splines | Master Cyl | Slave Cyl | Clutch Cable | Clutch Fork | New Flywheel |
|-----------|-----------|-----------|------------|---------|------------|-----------|--------------|-------------|--------------|
| 07016 | 254 | 10 | 1-1/16 | 10 | — | — | — | — | — |
| 07016 | 254 | 10 | 1-1/16 | 10 | — | — | — | — | — |
| 07014 | 254 | 10 | 1-1/16 | 10 | — | — | — | — | — |
| 07014 | 254 | 10 | 1-1/16 | 10 | — | — | — | — | — |
| KFM10 | 280 | 11 | 1-1/16 | 10 | — | — | — | — | FWFM113 |
| KFM10HP | 280 | 11 | 1-1/16 | 10 | — | — | — | — | FWFM113 |
| 07027L | 280 | 11 | 1-1/16 | 10 | — | — | — | — | FWFM113 |
| KFM10 | 280 | 11 | 1-1/16 | 10 | — | — | — | — | FWFM113 |
| KFM10HP | 280 | 11 | 1-1/16 | 10 | — | — | — | — | FWFM113 |
| 07027L | 280 | 11 | 1-1/16 | 10 | — | — | — | — | FWFM113 |
| 07136 | 240 | 9-1/2 | 1 | 23 | MC119 | — | — | — | — |
| 07137 | 240 | 9-1/2 | 1 | 23 | — | — | — | — | FWFMC01 |
| 07137LB | 240 | 9-1/2 | 1 | 23 | — | — | — | — | FWFMC01 |
| 07010 | 215 | 8-7/16 | 7/8 | 20 | — | — | — | — | — |
| 07069 | 215 | 8-7/16 | 7/8 | 20 | — | — | — | — | — |
| 10018 | 190 | 7-1/2 | 7/8 | 20 | — | — | — | — | — |
| 07074 | 225 | 8-7/8 | 15/16 | 22 | MC221 | SC629 | — | — | — |
| 07075 | 200 | 7-7/8 | 7/8 | 20 | MC221 | SC839 | — | — | — |
| 07083 | 225 | 8-7/8 | 15/16 | 22 | MC221 | SC877 | — | — | — |
| 07083 | 225 | 8-7/8 | 15/16 | 22 | MC221 | — | — | — | — |
| 07003 | 215 | 8-1/2 | 1-1/32 | 23 | — | — | — | — | — |
| 07003 | 215 | 8-1/2 | 1-1/32 | 23 | — | — | — | — | — |
| 07016 | 254 | 10 | 1-1/16 | 10 | — | — | — | — | — |
| 07005 | 254 | 10 | 1-1/16 | 10 | — | — | — | — | — |
| 07088 | 240 | 9-1/2 | 1 | 23 | — | — | — | — | — |
| 07039 | 228 | 9 | 1 | 23 | — | — | — | — | — |
| KMG04 | 200 | 7-7/8 | 1 | 23 | MC491 | SC888 | — | — | — |
| KMG04 | 200 | 7-7/8 | 1 | 23 | — | — | — | — | — |
| KMG01 | 159 | 6-1/4 | 7/8 | 20 | — | — | — | — | — |
| KMG02 | 165 | 6-1/2 | 7/8 | 20 | — | — | — | — | — |
| KMG03 | 184 | 7-1/4 | 7/8 | 20 | — | SC848 | — | — | — |
| BMK1000 | 200 | 7-7/8 | 13/16 | 18 | — | — | — | — | — |
| BMK1013 | 200 | 7-7/8 | 13/16 | 17 | — | — | — | — | — |
| BMK1014 | 200 | 7-7/8 | 3/4 | 17 | — | — | — | — | — |
| BMK1001 | 215 | 8-1/2 | 1 | 14 | — | — | — | — | — |
| BMK1001FW | 215 | 8-1/2 | 1 | 14 | — | — | — | — | — |
| 05075 | 250 | 9-7/8 | 1 | 23 | MC544 | SC582 | — | — | — |
| 05048 | 225 | 8-7/8 | 7/8 | 20 | MC543 | SC837 | — | — | — |
| 05075 | 250 | 9-7/8 | 1 | 23 | MC544 | SC588 | — | — | — |

1

| Liter | CC/IN | Cyl | Years | | Application Information |
|--|-------|-----|-------|------|---|
| | | | To | From | |
| MITSUBISHI (Performance Applications Available) CONT. | | | | | |
| <i>CORDIA, TREDIA</i> | | | | | |
| 1.8 | 1795 | L4 | 1983 | 1983 | — |
| 1.8 | 1795 | L4 | 1984 | 1988 | Turbo |
| 2.0 | 1997 | L4 | 1984 | 1988 | — |
| <i>ECLIPSE</i> | | | | | |
| 1.8 | 1755 | L4 | 1990 | 1990 | Without Speed Control |
| 1.8 | 1755 | L4 | 1990 | 1994 | With Speed Control |
| 2.0 | 1997 | L4 | 1990 | 1990 | 2 WD Non-Turbo without Speed Control |
| 2.0 | 1997 | L4 | 1990 | 1990 | 2 WD, GS Turbo without Speed Control, Sold As Kit Only |
| 2.0 | 1997 | L4 | 1990 | 1992 | 4 WD, Turbo GSX |
| 2.0 | 1997 | L4 | 1990 | 1994 | 2 WD Non-Turbo with Speed Control |
| 2.0 | 1997 | L4 | 1990 | 1994 | 2 WD, GS Turbo with Speed Control, Sold As Kit Only |
| 2.0 | 1997 | L4 | 1993 | 1993 | 4 WD, Turbo GSX, Sold As Kit Only |
| 2.0 | 1997 | L4 | 1994 | 1999 | 4 WD, Turbo GSX, Sold As Kit Only |
| 2.0 | 1997 | L4 | 1995 | 1998 | GST, Sold As Kit Only |
| 2.0 | 1997 | L4 | 1995 | 1999 | 2 WD, Non-Turbo, Modular Clutch Includes Flywheel |
| 2.4 | 2351 | L4 | 1996 | 1999 | Sold As Kit Only |
| 2.4 | 2351 | L4 | 2000 | 2005 | Sold As Kit Only |
| 2.4 | 2378 | L4 | 2006 | 2012 | Sold as Kit Only |
| 3.0 | 2972 | V6 | 2000 | 2005 | Sold As Kit Only, Silent Design Disc, Pull Type, Flat Flywheel, GT |
| 3.0 | 2972 | V6 | 2003 | 2005 | GTS, Sold As Kit Only, Silent Design Disc, Pull Type, Flat Flywheel, Sold As Kit Only |
| 3.8 | 232 | V6 | 2006 | 2010 | Sold as Kit Only, Includes CSC Hydraulic Slave Cylinder |
| <i>GALANT</i> | | | | | |
| 2.0 | 1997 | L4 | 1989 | 1989 | GS SOHC |
| 2.0 | 1997 | L4 | 1989 | 1992 | — |
| 2.0 | 1997 | L4 | 1990 | 1991 | GSX DOHC AWD |
| 2.0 | 1997 | L4 | 1990 | 1992 | GS, GSR DOHC |
| 2.0 | 1997 | L4 | 1991 | 1992 | VR4 AWD Turbo, Sold As Kit Only |
| 2.0 | 1997 | L4 | 1992 | 1992 | GSX DOHC AWD |
| 2.0 | 1997 | L4 | 1993 | 1993 | LS SOHC |
| 2.4 | 2351 | L4 | 1987 | 1987 | — |
| 2.4 | 2351 | L4 | 1994 | 1998 | Sold As Kit Only |
| <i>LANCER</i> | | | | | |
| 2.0 | 2000 | L4 | 2002 | 2003 | Includes Slave Cylinder, Less Bearing, Sold As Kit Only |
| 2.0 | 2000 | L4 | 2002 | 2003 | Includes Slave Cylinder, Sold As Kit Only |
| 2.0 | 2000 | L4 | 2003 | 2006 | P11 Type, Turbo Evolution, Sold As Kit Only |
| 2.0 | 2000 | L4 | 2004 | 2006 | Sold as kit only |
| 2.0 | 1998 | L4 | 2008 | 2008 | Sold as Kit Only, Includes CSC Hydraulic Slave Cylinder |
| 2.0 | 1998 | L4 | 2008 | 2008 | Pull Type, Turbo Evolution, Sold As Kit Only |
| 2.4 | 2400 | L4 | 2004 | 2006 | Sold as kit only |
| 2.4 | 2400 | L4 | 2009 | 2010 | Sold as Kit Only, Includes CSC Hydraulic Slave Cylinder |
| <i>MIRAGE</i> | | | | | |
| 1.5 | 1468 | L4 | 1985 | 1987 | 4 Spd, To 3/31/88 |
| 1.5 | 1468 | L4 | 1985 | 1987 | 5 Spd, To 3/31/88 |
| 1.5 | 1468 | L4 | 1988 | 1988 | 5 Spd, To 3/31/88 |
| 1.5 | 1468 | L4 | 1988 | 1991 | 4 Spd, To 3/31/88 |
| 1.5 | 1468 | L4 | 1989 | 1992 | 5 Spd |
| 1.5 | 1468 | L4 | 1993 | 1996 | 5 Spd |
| 1.5 | 1468 | L4 | 1997 | 2002 | 5 Spd |
| 1.6 | 1597 | L4 | 1985 | 1987 | 5 Spd Turbo |
| 1.6 | 1597 | L4 | 1988 | 1988 | 5 Spd Turbo, To 3/31/88 |
| 1.6 | 1597 | L4 | 1988 | 1989 | 5 Spd Turbo, From 4/1/86 |
| 1.6 | 1597 | L4 | 1991 | 1992 | — |
| 1.8 | 1834 | L4 | 1993 | 1996 | — |
| 1.8 | 1834 | L4 | 1997 | 2002 | — |

| Kit | Disc (mm) | Disc (in) | Spline Dia | Splines | Master Cyl | Slave Cyl | Clutch Cable | Clutch Fork | New Flywheel |
|-----------|-----------|-----------|------------|---------|------------|-----------|--------------|-------------|--------------|
| 05026 | 200 | 7-7/8 | 7/8 | 20 | MC194 | — | — | — | — |
| 05026 | 200 | 7-7/8 | 7/8 | 20 | MC194 | SC582 | — | — | — |
| 05026 | 200 | 7-7/8 | 7/8 | 20 | MC194 | — | — | — | — |
| 05026 | 200 | 7-7/8 | 7/8 | 20 | MC529 | SC580 | — | — | — |
| 05026 | 200 | 7-7/8 | 7/8 | 20 | MC180 | SC581 | — | — | — |
| 05051 | 210 | 8-1/4 | 7/8 | 20 | MC529 | SC580 | — | — | — |
| 05048 | 225 | 8-7/8 | 7/8 | 20 | MC529 | SC820 | — | — | — |
| 05071 | 225 | 8-7/8 | 7/8 | 20 | MC180 | SC587 | — | — | — |
| 05051 | 210 | 8-1/4 | 7/8 | 20 | MC180 | SC581 | — | — | — |
| 05048 | 225 | 8-7/8 | 7/8 | 20 | MC180 | SC581 | — | — | — |
| 05048 | 225 | 8-7/8 | 7/8 | 20 | MC180 | SC587 | — | — | — |
| 05048 | 225 | 8-7/8 | 7/8 | 20 | MC188 | SC589 | — | — | — |
| 05048 | 225 | 8-7/8 | 7/8 | 20 | MC401 | SC581 | — | — | — |
| 05085 | 230 | 9-1/16 | 15/16 | 17 | MC401 | SC761 | — | — | — |
| 05048 | 225 | 8-7/8 | 7/8 | 20 | MC188 | SC589 | — | — | — |
| MBK1000 | 225 | 8-7/8 | 7/8 | 20 | MC565 | SC593 | — | — | — |
| MBK1010 | 230 | 9 | 7/8 | 20 | — | SC593 | — | — | — |
| KMB02 | 225 | 8-7/8 | 1 | 23 | MC564 | SC854 | — | — | — |
| MBK1003 | 232 | 9-1/16 | 1 | 23 | MC564 | SC854 | — | — | — |
| MBK1015 | 240 | 9-7/16 | 1 | 23 | — | BRG0162 | — | — | — |
| 05051 | 210 | 8-1/4 | 7/8 | 20 | MC179 | SC581 | — | — | — |
| 05051 | 210 | 8-1/4 | 7/8 | 20 | MC529 | SC580 | — | — | — |
| 05051 | 210 | 8-1/4 | 7/8 | 20 | MC179 | SC584 | — | — | — |
| 05071 | 225 | 8-7/8 | 7/8 | 20 | MC179 | SC581 | — | — | — |
| 05048 | 225 | 8-7/8 | 7/8 | 20 | MC179 | SC584 | — | — | — |
| 05071 | 225 | 8-7/8 | 7/8 | 20 | MC179 | SC584 | — | — | — |
| 05051 | 210 | 8-1/4 | 7/8 | 20 | MC529 | SC580 | — | — | — |
| 05056 | 225 | 8-7/8 | 7/8 | 20 | MC177 | SC580 | — | — | — |
| 05048 | 225 | 8-7/8 | 7/8 | 20 | MC536 | SC589 | — | — | — |
| MBK1004LB | 225 | 8-7/8 | 7/8 | 20 | MC520 | — | — | — | — |
| MBK1004 | 225 | 8-7/8 | 7/8 | 20 | MC520 | — | — | — | — |
| MBK1001 | 240 | 9-1/2 | 1 | 23 | MC520 | SC854 | — | — | — |
| MBK1008 | 225 | 8-7/8 | 7/8 | 20 | MC520 | SC593 | — | — | — |
| MBK1011 | 225 | 8-7/8 | 7/8 | 20 | — | — | — | — | — |
| MBK1009 | 240 | 9-1/2 | 1 | 23 | — | — | — | — | — |
| MBK1007 | 228 | 9 | 7/8 | 20 | MC522 | SC844 | — | — | — |
| MBK1018 | 230 | 9 | 7/8 | 20 | — | BRG0162 | — | — | — |
| 05022 | 200 | 7-7/8 | 7/8 | 20 | — | — | — | — | — |
| 05023 | 184 | 7-1/4 | 7/8 | 20 | — | — | — | — | — |
| 05023 | 184 | 7-1/4 | 7/8 | 20 | MC178 | SC584 | — | — | — |
| 05022 | 200 | 7-7/8 | 7/8 | 20 | MC178 | SC580 | — | — | — |
| 05026 | 200 | 7-7/8 | 7/8 | 20 | MC178 | SC584 | — | — | — |
| 05026 | 200 | 7-7/8 | 7/8 | 20 | MC193 | SC589 | — | — | — |
| 05026 | 200 | 7-7/8 | 7/8 | 20 | MC193 | SC593 | — | — | — |
| 05022 | 200 | 7-7/8 | 7/8 | 20 | MC194 | SC580 | — | — | — |
| 05022 | 200 | 7-7/8 | 7/8 | 20 | MC194 | SC580 | — | — | — |
| 05051 | 210 | 8-1/4 | 7/8 | 20 | MC178 | SC581 | — | — | — |
| 05022 | 200 | 7-7/8 | 7/8 | 20 | MC178 | SC581 | — | — | — |
| 05051 | 210 | 8-1/4 | 7/8 | 20 | MC178 | SC589 | — | — | — |
| 05051 | 210 | 8-1/4 | 7/8 | 20 | MC193 | SC593 | — | — | — |

1

| Liter | CC/IN | Cyl | Years | | Application Information |
|-------|-------|-----|-------|------|-------------------------|
| | | | To | From | |

MITSUBISHI (Performance Applications Available) CONT.

PRECIS

| | | | | | |
|-----|------|----|------|------|-------------|
| 1.5 | 1468 | L4 | 1987 | 1988 | — |
| 1.5 | 1468 | L4 | 1989 | 1989 | From 7/1/89 |
| 1.5 | 1468 | L4 | 1989 | 1989 | To 6/30/89 |
| 1.5 | 1468 | L4 | 1990 | 1994 | — |

SIGMA

| | | | | | |
|-----|------|----|------|------|---|
| 3.0 | 2972 | V6 | 1988 | 1988 | — |
|-----|------|----|------|------|---|

STARION

| | | | | | |
|-----|------|----|------|------|--------------------------------|
| 2.6 | 2555 | L4 | 1983 | 1987 | Non Intercooled Turbo |
| 2.6 | 2555 | L4 | 1985 | 1987 | Intercooled Turbo, To 5/31/87 |
| 2.6 | 2555 | L4 | 1987 | 1989 | Intercooled Turbo, From 6/1/87 |

MITSUBISHI LIGHT TRUCK & SUV

EXPO, EXPO LRV

| | | | | | |
|-----|------|----|------|------|------------------|
| 1.8 | 1834 | L4 | 1992 | 1994 | — |
| 2.4 | 2351 | L4 | 1992 | 1992 | Sold As Kit Only |
| 2.4 | 2351 | L4 | 1993 | 1995 | Sold As Kit Only |

MIGHTY MAX

| | | | | | |
|-----|------|----|------|------|-------------------------|
| 2.0 | 1997 | L4 | 1983 | 1986 | — |
| 2.0 | 1997 | L4 | 1987 | 1989 | — |
| 2.3 | 2346 | L4 | 1983 | 1983 | Turbo Diesel From 10/83 |
| 2.3 | 2346 | L4 | 1983 | 1983 | Turbo Diesel To 9/83 |
| 2.3 | 2346 | L4 | 1984 | 1985 | Turbo Diesel |
| 2.4 | 2351 | L4 | 1990 | 1993 | — |
| 2.4 | 2351 | L4 | 1994 | 1996 | — |
| 2.6 | 2555 | L4 | 1983 | 1986 | — |
| 2.6 | 2555 | L4 | 1987 | 1989 | — |
| 3.0 | 2972 | V6 | 1990 | 1994 | — |

MONTERO, MONTERO SPORT

| | | | | | |
|-----|------|----|------|------|------------|
| 2.4 | 2351 | L4 | 1997 | 1999 | — |
| 2.6 | 2555 | L4 | 1983 | 1985 | — |
| 2.6 | 2555 | L4 | 1986 | 1986 | — |
| 2.6 | 2555 | L4 | 1987 | 1989 | — |
| 3.0 | 2972 | V6 | 1989 | 1990 | — |
| 3.0 | 2972 | V6 | 1991 | 1991 | From 10/91 |
| 3.0 | 2972 | V6 | 1991 | 1991 | To 9/91 |
| 3.0 | 2972 | V6 | 1992 | 1996 | — |
| 3.0 | 2972 | V6 | 1997 | 1999 | — |
| 3.5 | 3497 | V6 | 1997 | 1997 | — |

OUTLANDER

| | | | | | |
|-----|------|----|------|------|------------------|
| 2.4 | 2378 | L4 | 2005 | 2005 | Sold as kit only |
| 2.4 | 2378 | L4 | 2006 | 2006 | — |

NISSAN

1200

| | | | | | |
|-----|------|----|------|------|---|
| 1.2 | 1171 | L4 | 1971 | 1973 | — |
|-----|------|----|------|------|---|

200SX

| | | | | | |
|-----|------|----|------|------|-----------|
| 1.6 | 1597 | L4 | 1995 | 1998 | — |
| 1.8 | 1809 | L4 | 1984 | 1987 | Turbo |
| 2.0 | 1952 | L4 | 1977 | 1978 | — |
| 2.0 | 1952 | L4 | 1979 | 1979 | To 5/79 |
| 2.0 | 1952 | L4 | 1979 | 1981 | From 6/79 |
| 2.0 | 1974 | L4 | 1984 | 1988 | — |
| 2.0 | 1998 | L4 | 1995 | 1998 | — |
| 2.2 | 2187 | L4 | 1982 | 1983 | — |
| 3.0 | 2960 | V6 | 1987 | 1988 | — |

| Kit | Disc (mm) | Disc (in) | Spline Dia | Splines | Master Cyl | Slave Cyl | Clutch Cable | Clutch Fork | New Flywheel |
|---------|-----------|-----------|------------|---------|------------|-----------|--------------|-------------|--------------|
| 05023 | 184 | 7-1/4 | 7/8 | 20 | — | — | CC550 | — | — |
| 05022 | 200 | 7-7/8 | 7/8 | 20 | MC178 | SC580 | — | — | — |
| 05023 | 184 | 7-1/4 | 7/8 | 20 | — | — | CC550 | — | — |
| 05022 | 200 | 7-7/8 | 7/8 | 20 | MC178 | SC580 | — | — | — |
| 05056 | 225 | 8-7/8 | 7/8 | 20 | — | SC580 | — | — | — |
| 05025 | 225 | 8-7/8 | 1-1/32 | 23 | MC175 | SC579 | — | — | — |
| 05046 | 225 | 8-7/8 | 1-1/32 | 23 | MC175 | SC579 | — | — | — |
| 05049 | 240 | 9-1/2 | 1-1/16 | 23 | MC175 | SC579 | — | — | — |
| 05051 | 210 | 8-1/4 | 7/8 | 20 | — | SC589 | — | — | — |
| 05048 | 225 | 8-7/8 | 7/8 | 20 | — | SC584 | — | — | — |
| 05048 | 225 | 8-7/8 | 7/8 | 20 | — | SC589 | — | — | — |
| 05011 | 215 | 8-7/16 | 7/8 | 23 | — | — | — | — | — |
| 05011 | 215 | 8-7/16 | 7/8 | 23 | — | — | CC815 | — | — |
| 05025 | 225 | 8-7/8 | 1-1/32 | 23 | MC176 | SC579 | — | — | — |
| 05025 | 225 | 8-7/8 | 1-1/32 | 23 | MC194 | SC579 | — | — | — |
| 05025 | 225 | 8-7/8 | 1-1/32 | 23 | MC176 | SC579 | — | — | — |
| 05041 | 225 | 8-7/8 | 1-1/32 | 23 | — | — | CC815 | — | — |
| 05041 | 225 | 8-7/8 | 1-1/32 | 23 | — | — | — | — | — |
| 05025 | 225 | 8-7/8 | 1-1/32 | 23 | — | — | — | — | — |
| 05041 | 225 | 8-7/8 | 1-1/32 | 23 | — | — | CC815 | — | — |
| 05050 | 240 | 9-1/2 | 1-1/8 | 14 | MC176 | SC585 | — | — | — |
| 05041 | 225 | 8-7/8 | 1-1/32 | 23 | MC505 | SC579 | — | — | — |
| 05025 | 225 | 8-7/8 | 1-1/32 | 23 | MC497 | SC579 | — | — | — |
| 05046 | 225 | 8-7/8 | 1-1/32 | 23 | MC194 | SC579 | — | — | — |
| 05052 | 225 | 8-7/8 | 1-1/32 | 23 | MC194 | SC579 | — | — | — |
| 05050 | 240 | 9-1/2 | 1-1/8 | 14 | MC194 | SC585 | — | — | — |
| 05050 | 240 | 9-1/2 | 1-1/8 | 14 | MC528 | SC835 | — | — | — |
| 05050 | 240 | 9-1/2 | 1-1/8 | 14 | MC497 | SC585 | — | — | — |
| 05050 | 240 | 9-1/2 | 1-1/8 | 14 | MC528 | SC591 | — | — | — |
| 05050 | 240 | 9-1/2 | 1-1/8 | 14 | MC505 | SC591 | — | — | — |
| 05050 | 240 | 9-1/2 | 1-1/8 | 14 | MC528 | SC845 | — | — | — |
| MBK1007 | 228 | 9 | 7/8 | 20 | MC522 | SC593 | — | — | — |
| MBK1014 | 228 | 9 | 7/8 | 20 | MC522 | SC593 | — | — | — |
| 06016 | 184 | 7-1/4 | 13/16 | 18 | — | SC558 | — | — | — |
| 06040 | 190 | 7-1/2 | 13/16 | 18 | — | — | — | — | — |
| 06028 | 225 | 8-7/8 | 1 | 24 | MC167 | SC560 | — | — | — |
| 06008 | 200 | 7-7/8 | 1 | 24 | MC152 | SC560 | — | — | — |
| 06008 | 200 | 7-7/8 | 1 | 24 | MC153 | SC560 | — | — | — |
| 06008 | 200 | 7-7/8 | 1 | 24 | MC152 | SC560 | — | CF114 | — |
| 06037 | 225 | 8-7/8 | 1 | 24 | MC167 | SC560 | — | — | — |
| KNS02 | 215 | 8-1/2 | 13/16 | 18 | — | — | — | — | — |
| 06004 | 225 | 8-7/8 | 1 | 24 | MC153 | SC560 | — | — | — |
| 06031 | 240 | 9-1/2 | 1 | 24 | MC153 | SC572 | — | — | — |

1

| Liter | CC/IN | Cyl | Years | | Application Information |
|---------------------|-------|-----|-------|------|--|
| | | | To | From | |
| NISSAN CONT. | | | | | |
| 210 | | | | | |
| 1.2 | 1237 | L4 | 1979 | 1982 | — |
| 1.4 | 1393 | L4 | 1979 | 1982 | — |
| 1.5 | 1488 | L4 | 1980 | 1982 | — |
| 240SX | | | | | |
| 2.4 | 2389 | L4 | 1989 | 1990 | — |
| 2.4 | 2389 | L4 | 1991 | 1998 | — |
| 240Z | | | | | |
| 2.4 | 2393 | L6 | 1970 | 1972 | To 6/72 |
| 2.4 | 2393 | L6 | 1972 | 1972 | From 7/72 |
| 2.4 | 2393 | L6 | 1973 | 1973 | — |
| 260Z | | | | | |
| 2.6 | 2565 | L6 | 1974 | 1975 | — |
| 280Z | | | | | |
| 2.8 | 2753 | L6 | 1975 | 1975 | 2 Seater To 3/75 |
| 2.8 | 2753 | L6 | 1975 | 1978 | 2 Seater From 4/75 |
| 2.8 | 2753 | L6 | 1975 | 1975 | 2+2 To 3/75 |
| 2.8 | 2753 | L6 | 1975 | 1978 | 2+2 From 4/75 |
| 280ZX | | | | | |
| 2.8 | 2753 | L6 | 1979 | 1983 | 2 Seater Non-Turbo |
| 2.8 | 2753 | L6 | 1979 | 1983 | 2+2 Non-Turbo |
| 2.8 | 2753 | L6 | 1981 | 1983 | Turbo |
| 300ZX | | | | | |
| 3.0 | 2960 | V6 | 1984 | 1989 | Non-Turbo To 1/30/89 |
| 3.0 | 2960 | V6 | 1984 | 1986 | Turbo |
| 3.0 | 2960 | V6 | 1987 | 1989 | Turbo |
| 3.0 | 2960 | V6 | 1989 | 1996 | Non-Turbo From 2/1/89 |
| 3.0 | 2960 | V6 | 1990 | 1990 | Twin Turbo |
| 3.0 | 2960 | V6 | 1991 | 1991 | Twin Turbo |
| 3.0 | 2960 | V6 | 1992 | 1992 | Twin Turbo |
| 3.0 | 2960 | V6 | 1993 | 1994 | Twin Turbo |
| 3.0 | 2960 | V6 | 1995 | 1996 | Twin Turbo |
| 310 | | | | | |
| 1.4 | 1393 | L4 | 1979 | 1980 | — |
| 1.5 | 1488 | L4 | 1981 | 1981 | From 8/81 |
| 1.5 | 1488 | L4 | 1981 | 1981 | To 7/81 |
| 1.5 | 1488 | L4 | 1982 | 1982 | — |
| 350Z | | | | | |
| 3.5 | 3498 | V6 | 2003 | 2006 | Sold As Kit Only |
| 3.5 | 3498 | V6 | 2003 | 2006 | Sold As Kit Only, Solid FW Conversion for OEM Dual Mass FW, Economy version |
| 3.5 | 3498 | V6 | 2007 | 2009 | Dual Mass Flywheel Conversion, VQ35HR, Sold as Kit Only, Includes Solid Flywheel, Includes CSC Hydraulic Slave |
| 370Z | | | | | |
| 3.7 | 3696 | V6 | 2009 | 2011 | Dual Mass Flywheel Conversion, Sold as Kit Only, Includes Solid Flywheel, Includes CSC Hydraulic Slave |
| 411 | | | | | |
| 1.6 | 1595 | L4 | 1967 | 1967 | — |
| 510 | | | | | |
| 1.6 | 1595 | L4 | 1968 | 1969 | To 2/69 |
| 1.6 | 1595 | L4 | 1969 | 1973 | From 3/69 |
| 2.0 | 1952 | L4 | 1978 | 1981 | — |
| 610 | | | | | |
| 1.8 | 1770 | L4 | 1973 | 1973 | — |
| 2.0 | 1952 | L4 | 1974 | 1975 | To 10/75 |
| 2.0 | 1952 | L4 | 1975 | 1976 | From 11/75 |
| 710 | | | | | |
| 1.8 | 1770 | L4 | 1974 | 1974 | — |
| 2.0 | 1952 | L4 | 1975 | 1977 | — |
| 810 | | | | | |
| 2.4 | 2393 | L6 | 1977 | 1980 | — |
| 2.4 | 2393 | L6 | 1981 | 1981 | — |
| 2.8 | 2793 | L6 | 1981 | 1981 | Diesel |



| Kit | Disc (mm) | Disc (in) | Spline Dia | Splines | Master Cyl | Slave Cyl | Clutch Cable | Clutch Fork | New Flywheel |
|-----------|-----------|-----------|------------|---------|------------|-----------|--------------|-------------|--------------|
| 06001 | 184 | 7-1/4 | 13/16 | 18 | MC153 | SC558 | — | — | — |
| 06001 | 184 | 7-1/4 | 13/16 | 18 | MC153 | SC558 | — | — | — |
| 06001 | 184 | 7-1/4 | 13/16 | 18 | MC153 | SC558 | — | — | — |
| 06009 | 225 | 8-7/8 | 1 | 24 | MC153 | SC560 | — | — | — |
| 06054 | 225 | 8-7/8 | 1 | 24 | MC153 | SC563 | — | — | — |
| 06029 | 225 | 8-7/8 | 1 | 24 | MC169 | SC571 | — | — | — |
| 06029 | 225 | 8-7/8 | 1 | 24 | MC169 | SC559 | — | — | — |
| 06029 | 225 | 8-7/8 | 1 | 24 | MC169 | SC563 | — | — | — |
| 06029 | 225 | 8-7/8 | 1 | 24 | MC169 | SC559 | — | — | — |
| 06009 | 225 | 8-7/8 | 1 | 24 | MC169 | SC559 | — | — | — |
| 06009 | 225 | 8-7/8 | 1 | 24 | MC166 | SC559 | — | — | — |
| 06030 | 240 | 9-1/2 | 1 | 24 | MC169 | SC559 | — | — | — |
| 06030 | 240 | 9-1/2 | 1 | 24 | MC166 | SC559 | — | — | — |
| 06009 | 225 | 8-7/8 | 1 | 24 | MC153 | SC563 | — | — | — |
| 06030 | 240 | 9-1/2 | 1 | 24 | MC153 | SC563 | — | — | — |
| 06032 | 240 | 9-1/2 | 1 | 24 | MC168 | SC563 | — | — | — |
| 06031 | 240 | 9-1/2 | 1 | 24 | MC168 | SC572 | — | CF114 | — |
| 06032 | 240 | 9-1/2 | 1 | 24 | MC168 | SC572 | — | — | — |
| 06055 | 250 | 9-7/8 | 1 | 24 | MC168 | SC572 | — | CF114 | — |
| 06045 | 240 | 9-1/2 | 1 | 24 | — | SC572 | — | — | — |
| 06046 | 250 | 9-7/8 | 1 | 24 | MC507 | SC572 | — | — | — |
| 06046 | 250 | 9-7/8 | 1 | 24 | — | SC572 | — | — | — |
| 06046 | 250 | 9-7/8 | 1 | 24 | MC506 | SC572 | — | — | — |
| 06046 | 250 | 9-7/8 | 1 | 24 | — | SC572 | — | — | — |
| 06046 | 250 | 9-7/8 | 1 | 24 | MC506 | SC572 | — | — | — |
| 06011 | 190 | 7-1/2 | 1 | 24 | MC168 | — | — | — | — |
| 06021 | 184 | 7-1/4 | 13/16 | 18 | MC153 | — | — | — | — |
| 06011 | 190 | 7-1/2 | 1 | 24 | MC168 | — | — | — | — |
| 06021 | 184 | 7-1/4 | 13/16 | 18 | — | — | — | — | — |
| NSK1000 | 250 | 9-7/8 | 1 | 24 | — | — | — | — | — |
| NSK1000FW | 250 | 9-7/8 | 1 | 24 | — | — | — | — | — |
| NSK1024FW | 250 | 9-7/8 | 1 | 24 | — | BRG0163 | — | — | — |
| NSK1024FW | 250 | 9-7/8 | 1 | 24 | — | BRG0163 | — | — | — |
| 06022 | 200 | 7-7/8 | 1 | 24 | — | — | — | — | — |
| 06020 | 200 | 7-7/8 | 1 | 24 | MC161 | SC569 | — | — | — |
| 06020 | 200 | 7-7/8 | 1 | 24 | MC165 | SC569 | — | — | — |
| 06008 | 200 | 7-7/8 | 1 | 24 | MC151 | SC560 | — | — | — |
| 06020 | 200 | 7-7/8 | 1 | 24 | MC165 | SC563 | — | — | — |
| 06008 | 200 | 7-7/8 | 1 | 24 | MC165 | SC559 | — | — | — |
| 06008 | 200 | 7-7/8 | 1 | 24 | MC166 | SC559 | — | — | — |
| 06008 | 200 | 7-7/8 | 1 | 24 | MC165 | SC563 | — | — | — |
| 06008 | 200 | 7-7/8 | 1 | 24 | MC151 | SC563 | — | — | — |
| 06034 | 225 | 8-7/8 | 1 | 24 | MC151 | SC563 | — | — | — |
| 06034 | 225 | 8-7/8 | 1 | 24 | MC153 | SC563 | — | — | — |
| 06034 | 225 | 8-7/8 | 1 | 24 | MC153 | SC563 | — | — | — |

1

| Liter | CC/IN | Cyl | Years | | Application Information |
|-------|-------|-----|-------|------|-------------------------|
| | | | To | From | |

NISSAN CONT.

ALTIMA

| | | | | | |
|-----|------|----|------|------|---|
| 2.4 | 2389 | L4 | 1993 | 1997 | — |
| 2.4 | 2389 | L4 | 1998 | 2001 | — |
| 2.5 | 2500 | L4 | 2002 | 2006 | — |
| 2.5 | 2500 | L4 | 2007 | 2011 | Sold as Kit Only, Includes CSC Hydraulic Slave Cylinder |
| 3.5 | 3498 | V6 | 2002 | 2003 | Sold As Kit Only |
| 3.5 | 3498 | V6 | 2004 | 2006 | Sold As Kit Only |

B210

| | | | | | |
|-----|------|----|------|------|--------------|
| 1.4 | 1393 | L4 | 1975 | 1975 | 4 Spd,7-1/8" |
| 1.4 | 1393 | L4 | 1975 | 1978 | 4 Spd,7-1/4" |
| 1.4 | 1393 | L4 | 1976 | 1976 | 4 Spd,7-1/8" |
| 1.4 | 1393 | L4 | 1977 | 1978 | 4 Spd,7-1/8" |

F10

| | | | | | |
|-----|------|----|------|------|-----------|
| 1.4 | 1393 | L4 | 1976 | 1976 | To 5/76 |
| 1.4 | 1393 | L4 | 1976 | 1978 | From 6/76 |

MAXIMA

| | | | | | |
|-----|------|----|------|------|------------------|
| 2.4 | 2393 | L6 | 1982 | 1984 | — |
| 3.0 | 2960 | V6 | 1985 | 1988 | — |
| 3.0 | 2960 | V6 | 1989 | 1993 | — |
| 3.0 | 2960 | V6 | 1994 | 1994 | To 1/94 |
| 3.0 | 2960 | V6 | 1994 | 1994 | From 2/94 |
| 3.0 | 2988 | V6 | 1995 | 1999 | To 3/99 |
| 3.0 | 2988 | V6 | 1999 | 2001 | From 4/99 |
| 3.5 | 3498 | V6 | 2002 | 2003 | Sold As Kit Only |
| 3.5 | 3498 | V6 | 2004 | 2006 | Sold As Kit Only |

MICRA (CANADA)

| | | | | | |
|-----|------|----|------|------|---|
| 1.2 | 1229 | L4 | 1984 | 1991 | — |
|-----|------|----|------|------|---|

NX

| | | | | | |
|-----|------|----|------|------|---|
| 1.6 | 1597 | L4 | 1991 | 1993 | — |
| 2.0 | 1998 | L4 | 1991 | 1993 | — |

PULSAR

| | | | | | |
|-----|------|----|------|------|-------|
| 1.5 | 1488 | L4 | 1983 | 1984 | Turbo |
| 1.6 | 1597 | L4 | 1983 | 1986 | SOHC |
| 1.6 | 1597 | L4 | 1987 | 1987 | DOHC |
| 1.6 | 1597 | L4 | 1987 | 1990 | SOHC |
| 1.8 | 1809 | L4 | 1988 | 1989 | DOHC |

SENTRA

| | | | | | |
|-----|------|----|------|------|---|
| 1.5 | 1488 | L4 | 1982 | 1983 | — |
| 1.6 | 1597 | L4 | 1983 | 1985 | — |
| 1.6 | 1597 | L4 | 1986 | 1987 | — |
| 1.6 | 1597 | L4 | 1988 | 1988 | To 7/88 |
| 1.6 | 1597 | L4 | 1989 | 1990 | — |
| 1.6 | 1597 | L4 | 1990 | 1990 | 4 WD Canada |
| 1.6 | 1597 | L4 | 1991 | 1991 | — |
| 1.6 | 1597 | L4 | 1991 | 1991 | Canada |
| 1.6 | 1597 | L4 | 1992 | 1993 | Canada |
| 1.6 | 1597 | L4 | 1992 | 1994 | — |
| 1.6 | 1597 | L4 | 1995 | 1999 | — |
| 1.7 | 1688 | L4 | 1983 | 1986 | Diesel |
| 1.7 | 1688 | L4 | 1987 | 1987 | Diesel Canada |
| 1.8 | 1809 | L4 | 2000 | 2000 | — |
| 1.8 | 1809 | L4 | 2001 | 2006 | — |
| 2.0 | 1998 | L4 | 1991 | 2000 | — |
| 2.0 | 1998 | L4 | 2001 | 2001 | — |
| 2.0 | 1997 | L4 | 2007 | 2011 | Sold as Kit Only, Includes CSC Hydraulic Slave Cylinder |
| 2.5 | 2500 | L4 | 2002 | 2006 | — |
| 2.5 | 2500 | L4 | 2007 | 2010 | SE-R Spec-V,Sold as Kit Only, Includes CSC Hydraulic Slave Cylinder |

| Kit | Disc (mm) | Disc (in) | Spline Dia | Splines | Master Cyl | Slave Cyl | Clutch Cable | Clutch Fork | New Flywheel |
|---------|-----------|-----------|------------|---------|------------|-----------|--------------|-------------|--------------|
| KNS04 | 225 | 8-7/8 | 1 | 24 | MC500 | SC565 | — | — | — |
| KNS06 | 225 | 8-7/8 | 1 | 24 | MC549 | SC565 | — | — | — |
| NSK1003 | 240 | 9-1/2 | 1 | 24 | MC541 | SC864 | — | — | — |
| NSK1008 | 240 | 9-1/2 | 15/16 | 21 | — | BRG0166 | — | — | — |
| NSK1002 | 240 | 9-1/2 | 1 | 24 | MC541 | SC864 | — | — | — |
| NSK1002 | 240 | 9-1/2 | 1 | 24 | MC541 | SC865 | — | — | — |
| 06018 | 180 | 7-1/8 | 1 | 18 | MC165 | SC558 | — | — | — |
| 06001 | 184 | 7-1/4 | 13/16 | 18 | MC467 | SC558 | — | — | — |
| 06018 | 180 | 7-1/8 | 1 | 18 | MC467 | SC558 | — | — | — |
| 06018 | 180 | 7-1/8 | 1 | 18 | MC152 | SC560 | — | — | — |
| 06011 | 190 | 7-1/2 | 1 | 24 | MC151 | — | — | — | — |
| 06011 | 190 | 7-1/2 | 1 | 24 | MC152 | — | — | — | — |
| 06034 | 225 | 8-7/8 | 1 | 24 | — | SC563 | — | — | — |
| 06044 | 240 | 9-1/2 | 1 | 24 | MC153 | SC562 | — | — | — |
| 06044 | 240 | 9-1/2 | 1 | 24 | MC168 | SC565 | — | — | — |
| 06044 | 240 | 9-1/2 | 1 | 24 | MC153 | SC565 | — | — | — |
| 06044 | 240 | 9-1/2 | 1 | 24 | MC547 | SC851 | — | — | — |
| 06044 | 240 | 9-1/2 | 1 | 24 | MC160 | SC565 | — | — | — |
| 06044 | 240 | 9-1/2 | 1 | 24 | MC162 | SC565 | — | — | — |
| NSK1002 | 240 | 9-1/2 | 1 | 24 | MC545 | SC864 | — | — | — |
| NSK1002 | 240 | 9-1/2 | 1 | 24 | MC541 | SC864 | — | — | — |
| 06041 | 160 | 6-5/16 | 11/16 | 16 | — | — | CC806 | — | — |
| 06040 | 190 | 7-1/2 | 13/16 | 18 | — | — | — | — | — |
| KNS02 | 215 | 8-1/2 | 13/16 | 18 | — | — | — | — | — |
| 06007 | 200 | 7-7/8 | 13/16 | 18 | — | — | CC800 | — | — |
| 06021 | 184 | 7-1/4 | 13/16 | 18 | — | — | CC800 | — | — |
| 06049 | 200 | 7-7/8 | 13/16 | 18 | — | — | CC807 | — | — |
| 06040 | 190 | 7-1/2 | 13/16 | 18 | — | — | CC806 | — | — |
| 06050 | 215 | 8-7/16 | 1 | 24 | — | SC655 | CC806 | — | — |
| 06021 | 184 | 7-1/4 | 13/16 | 18 | — | — | — | — | — |
| 06021 | 184 | 7-1/4 | 13/16 | 18 | — | — | — | — | — |
| 06040 | 190 | 7-1/2 | 13/16 | 18 | — | — | CC807 | — | — |
| 06040 | 190 | 7-1/2 | 13/16 | 18 | — | — | CC807 | — | — |
| 06040 | 190 | 7-1/2 | 13/16 | 18 | — | — | — | — | — |
| 06007 | 200 | 7-7/8 | 13/16 | 18 | — | — | — | — | — |
| 06040 | 190 | 7-1/2 | 13/16 | 18 | — | — | CC810 | — | — |
| 06040 | 190 | 7-1/2 | 13/16 | 18 | — | — | CC810 | — | — |
| 06040 | 190 | 7-1/2 | 13/16 | 18 | — | — | — | — | — |
| 06040 | 190 | 7-1/2 | 13/16 | 18 | — | — | — | — | — |
| KNS05 | 190 | 7-1/2 | 13/16 | 18 | — | — | — | — | — |
| 06021 | 184 | 7-1/4 | 13/16 | 18 | — | — | — | — | — |
| 06048 | 190 | 7-1/2 | 13/16 | 18 | — | — | — | — | — |
| KNS02 | 215 | 8-1/2 | 13/16 | 18 | — | — | — | — | — |
| KNS02 | 215 | 8-1/2 | 13/16 | 18 | MC542 | SC760 | — | — | — |
| KNS02 | 215 | 8-1/2 | 13/16 | 18 | — | — | — | — | — |
| KNS02 | 215 | 8-1/2 | 13/16 | 18 | MC542 | SC760 | — | — | — |
| NSK1009 | 225 | 8-7/8 | 15/16 | 21 | — | BRG0166 | — | — | — |
| NSK1003 | 240 | 9-1/2 | 1 | 24 | MC542 | SC864 | — | — | — |
| NSK1008 | 240 | 9-1/2 | 15/16 | 21 | — | BRG0166 | — | — | — |

1

| Liter | CC/IN | Cyl | Years | | Application Information |
|-------|-------|-----|-------|------|-------------------------|
| | | | To | From | |

NISSAN CONT.

STANZA

| | | | | | |
|-----|------|----|------|------|-----------|
| 2.0 | 1974 | L4 | 1982 | 1985 | — |
| 2.0 | 1974 | L4 | 1986 | 1986 | — |
| 2.0 | 1974 | L4 | 1987 | 1987 | From 9/87 |
| 2.0 | 1974 | L4 | 1987 | 1987 | To 8/87 |
| 2.0 | 1974 | L4 | 1988 | 1988 | — |
| 2.4 | 2389 | L4 | 1990 | 1992 | — |

VERSA

| | | | | | |
|-----|------|----|------|------|---|
| 1.8 | 1798 | L4 | 2007 | 2011 | Sold as Kit Only, Includes CSC Hydraulic Slave Cylinder |
|-----|------|----|------|------|---|

NISSAN LIGHT TRUCK, SUV & VAN

520 PICKUP

| | | | | | |
|-----|------|----|------|------|---|
| 1.3 | 1299 | L4 | 1965 | 1968 | — |
|-----|------|----|------|------|---|

521 PICKUP

| | | | | | |
|-----|------|----|------|------|---|
| 1.3 | 1299 | L4 | 1969 | 1969 | — |
| 1.6 | 1595 | L4 | 1970 | 1971 | — |
| 1.6 | 1595 | L4 | 1972 | 1972 | — |

620 PICKUP

| | | | | | |
|-----|------|----|------|------|----------------|
| 1.6 | 1595 | L4 | 1972 | 1973 | — |
| 1.8 | 1770 | L4 | 1974 | 1974 | — |
| 2.0 | 1952 | L4 | 1975 | 1976 | 2 WD To 2/76 |
| 2.0 | 1952 | L4 | 1976 | 1979 | 2 WD From 3/76 |

720 PICKUP

| | | | | | |
|-----|------|----|------|------|-----------------|
| 2.0 | 1952 | L4 | 1980 | 1980 | 2 WD |
| 2.0 | 1952 | L4 | 1980 | 1980 | 4 WD |
| 2.0 | 1952 | L4 | 1983 | 1985 | 2 WD To 10/85 |
| 2.0 | 1952 | L4 | 1985 | 1985 | 2 WD From 11/85 |
| 2.0 | 1952 | L4 | 1985 | 1985 | 4 WD To 10/85 |
| 2.0 | 1952 | L4 | 1985 | 1985 | 4 WD From 11/85 |
| 2.2 | 2187 | L4 | 1981 | 1982 | 4 WD |
| 2.2 | 2164 | L4 | 1981 | 1983 | Diesel 2 WD |
| 2.2 | 2164 | L4 | 1981 | 1983 | Diesel 4 WD |
| 2.2 | 2187 | L4 | 1981 | 1983 | 2 WD/4 WD |
| 2.4 | 2389 | L4 | 1983 | 1985 | 2 WD |
| 2.4 | 2389 | L4 | 1983 | 1985 | 4 WD |
| 2.4 | 2389 | L4 | 1986 | 1986 | 2 WD |
| 2.4 | 2389 | L4 | 1986 | 1986 | 4 WD |
| 2.5 | 2488 | L4 | 1983 | 1985 | Diesel |
| 2.5 | 2488 | L4 | 1986 | 1986 | Diesel |

AXXESS

| | | | | | |
|-----|------|----|------|------|------|
| 2.4 | 2389 | L4 | 1990 | 1991 | 2 WD |
| 2.4 | 2389 | L4 | 1991 | 1991 | 4 WD |

CUBE

| | | | | | |
|-----|------|----|------|------|---|
| 1.8 | 1798 | L4 | 2009 | 2011 | Sold as Kit Only, Includes CSC Hydraulic Slave Cylinder |
|-----|------|----|------|------|---|

D21 PICKUP

| | | | | | |
|-----|------|----|------|------|---|
| 2.4 | 2389 | L4 | 1986 | 1988 | — |
| 2.4 | 2389 | L4 | 1989 | 1992 | — |
| 2.4 | 2389 | L4 | 1993 | 1993 | — |
| 3.0 | 2960 | V6 | 1986 | 1988 | — |
| 3.0 | 2960 | V6 | 1989 | 1993 | — |

FRONTIER

| | | | | | |
|-----|------|----|------|------|-------------------------------------|
| 2.4 | 2389 | L4 | 1998 | 1999 | — |
| 2.4 | 2389 | L4 | 2000 | 2004 | — |
| 2.5 | 2500 | L4 | 2006 | 2006 | Sold as kit only |
| 2.5 | 2500 | L4 | 2008 | 2007 | Sold as kit only, Fits Dual Mass FW |
| 2.5 | 2500 | L4 | 2009 | 2011 | Sold as kit only, Fits Dual Mass FW |
| 3.3 | 3275 | V6 | 2000 | 2004 | — |
| 3.3 | 3275 | V6 | 2001 | 2004 | Supercharged |
| 4.0 | 3954 | V6 | 2005 | 2011 | Sold as kit only |

| Kit | Disc (mm) | Disc (in) | Spline Dia | Splines | Master Cyl | Slave Cyl | Clutch Cable | Clutch Fork | New Flywheel |
|---------|-----------|-----------|------------|---------|------------|-----------|--------------|-------------|--------------|
| 06007 | 200 | 7-7/8 | 13/16 | 18 | — | — | — | — | — |
| 06043 | 225 | 8-7/8 | 1 | 24 | MC153 | SC564 | — | — | — |
| 06043 | 225 | 8-7/8 | 1 | 24 | MC153 | SC565 | — | — | — |
| 06043 | 225 | 8-7/8 | 1 | 24 | MC153 | SC564 | — | — | — |
| 06043 | 225 | 8-7/8 | 1 | 24 | MC153 | SC565 | — | — | — |
| 06053 | 225 | 8-7/8 | 1 | 24 | MC153 | SC565 | — | — | — |
| NSK1009 | 225 | 8-7/8 | 15/16 | 21 | — | — | — | — | — |
| 06019 | 200 | 7-7/8 | 1 | 24 | — | — | — | — | — |
| 06019 | 200 | 7-7/8 | 1 | 24 | MC501 | — | — | — | — |
| 06022 | 200 | 7-7/8 | 1 | 24 | MC501 | — | — | — | — |
| 06022 | 200 | 7-7/8 | 1 | 24 | MC151 | SC574 | — | — | — |
| 06022 | 200 | 7-7/8 | 1 | 24 | MC165 | SC574 | — | — | — |
| 06033 | 225 | 8-7/8 | 1 | 24 | MC165 | SC574 | — | — | — |
| 06004 | 225 | 8-7/8 | 1 | 24 | MC151 | SC574 | — | CF114 | — |
| 06004 | 225 | 8-7/8 | 1 | 24 | MC152 | SC574 | — | CF114 | — |
| 06004 | 225 | 8-7/8 | 1 | 24 | MC153 | SC574 | — | CF114 | — |
| 06004 | 225 | 8-7/8 | 1 | 24 | MC153 | SC883 | — | CF114 | — |
| 06006 | 240 | 9-1/2 | 1 | 24 | MC153 | SC574 | — | CF114 | FWNS28 |
| 06006 | 240 | 9-1/2 | 1 | 24 | MC157 | SC577 | — | CF114 | FWNS28 |
| 06006 | 240 | 9-1/2 | 1 | 24 | MC153 | SC575 | — | CF114 | FWNS28 |
| 06006 | 240 | 9-1/2 | 1 | 24 | MC157 | SC576 | — | CF114 | FWNS28 |
| 06004 | 225 | 8-7/8 | 1 | 24 | MC153 | SC575 | — | CF114 | — |
| 06004 | 225 | 8-7/8 | 1 | 24 | MC153 | SC574 | — | CF114 | — |
| 06004 | 225 | 8-7/8 | 1 | 24 | MC153 | SC883 | — | CF114 | — |
| 06004 | 225 | 8-7/8 | 1 | 24 | MC153 | SC574 | — | CF114 | — |
| 06006 | 240 | 9-1/2 | 1 | 24 | MC153 | SC574 | — | CF114 | FWNS28 |
| 06006 | 240 | 9-1/2 | 1 | 24 | MC153 | SC575 | — | CF114 | FWNS28 |
| 06006 | 240 | 9-1/2 | 1 | 24 | — | SC574 | — | CF114 | FWNS28 |
| 06006 | 240 | 9-1/2 | 1 | 24 | — | SC575 | — | CF114 | FWNS28 |
| 06034 | 225 | 8-7/8 | 1 | 24 | — | SC883 | — | — | — |
| 06034 | 225 | 8-7/8 | 1 | 24 | MC157 | SC883 | — | — | — |
| 06053 | 225 | 8-7/8 | 1 | 24 | MC158 | SC565 | — | — | — |
| 06051 | 240 | 9-1/2 | 1 | 24 | MC158 | SC565 | — | — | — |
| NSK1009 | 225 | 8-7/8 | 15/16 | 21 | — | — | — | — | — |
| 06006 | 240 | 9-1/2 | 1 | 24 | MC157 | SC882 | — | CF114 | FWNS28 |
| 06006 | 240 | 9-1/2 | 1 | 24 | MC157 | SC882 | — | — | FWNS28 |
| KNS03 | 240 | 9-1/2 | 1 | 24 | MC157 | SC882 | — | — | — |
| 06042 | 250 | 9-7/8 | 1 | 24 | MC157 | SC576 | — | CF114 | FWNS27 |
| 06042 | 250 | 9-7/8 | 1 | 24 | MC157 | SC576 | — | — | FWNS27 |
| 06059 | 240 | 9-1/2 | 1 | 24 | MC550 | SC572 | — | — | — |
| NSK1004 | 240 | 9-1/2 | 1 | 24 | MC552 | SC572 | — | — | — |
| NSK1005 | 240 | 9 1/2 | 1 | 24 | MC571 | SC902 | — | — | — |
| NSK1005 | 240 | 9 1/2 | 1 | 24 | MC571 | SC903 | — | — | — |
| NSK1005 | 240 | 9 1/2 | 1 | 24 | MC571 | — | — | — | — |
| KNS10 | 250 | 9-7/8 | 1 | 24 | MC552 | SC572 | — | — | — |
| NSK1007 | 250 | 9-7/8 | 1 | 24 | MC552 | SC572 | — | — | — |
| NSK1006 | 260 | 10 1/4 | 1 | 24 | MC571 | SC903 | — | — | — |

1

| Liter | CC/IN | Cyl | Years | | Application Information |
|-------|-------|-----|-------|------|-------------------------|
| | | | To | From | |

NISSAN LIGHT TRUCK, SUV & VAN CONT.

PATHFINDER

| | | | | | |
|-----|------|----|------|------|---|
| 2.4 | 2389 | L4 | 1987 | 1988 | — |
| 3.0 | 2960 | V6 | 1987 | 1989 | — |
| 3.0 | 2960 | V6 | 1990 | 1995 | — |
| 3.3 | 3275 | V6 | 1996 | 1996 | — |
| 3.3 | 3275 | V6 | 1997 | 1999 | — |
| 3.3 | 3275 | V6 | 2000 | 2000 | — |
| 3.5 | 3498 | V6 | 2001 | 2002 | — |

PICKUP

| | | | | | |
|-----|------|----|------|------|-------------------|
| 2.4 | 2389 | L4 | 1994 | 1995 | — |
| 2.4 | 2389 | L4 | 1996 | 1996 | 2 WD, From 2/1/96 |
| 2.4 | 2389 | L4 | 1996 | 1996 | 4 WD, From 2/1/96 |
| 2.4 | 2389 | L4 | 1996 | 1996 | RWD |
| 2.4 | 2389 | L4 | 1996 | 1996 | To 1/31/96 |
| 2.4 | 2389 | L4 | 1997 | 1997 | 2 WD |
| 2.4 | 2389 | L4 | 1997 | 1997 | 4 WD |
| 3.0 | 2960 | V6 | 1994 | 1996 | — |

VAN

| | | | | | |
|-----|------|----|------|------|---|
| 2.4 | 2389 | L4 | 1987 | 1988 | — |
|-----|------|----|------|------|---|

XTERRA

| | | | | | |
|-----|------|----|------|------|------------------|
| 2.4 | 2389 | L4 | 2000 | 2000 | — |
| 3.3 | 3275 | V6 | 2000 | 2004 | — |
| 3.3 | 3275 | V6 | 2002 | 2003 | Supercharged |
| 4.0 | 3954 | V6 | 2005 | 2011 | Sold as kit only |

OLDSMOBILE (Performance Applications Available)

ACHIEVA

| | | | | | |
|-----|-----|----|------|------|--|
| 2.3 | 140 | L4 | 1992 | 1992 | Quad 4, 8th Digit of VIN is A with CSC |
| 2.3 | 140 | L4 | 1992 | 1992 | Quad 4, 8th Digit of VIN is A with External CSC Slave |
| 2.3 | 140 | L4 | 1992 | 1994 | SOHC, 8th Digit of VIN is 3 |
| 2.3 | 140 | L4 | 1993 | 1994 | Quad 4, 8th Digit of VIN is A, Includes Slave Cylinder |
| 2.3 | 140 | L4 | 1995 | 1995 | Includes Slave Cylinder |
| 2.4 | 146 | L4 | 1996 | 1997 | Includes Slave Cylinder |

ALERO

| | | | | | |
|-----|-----|----|------|------|---|
| 2.2 | 134 | L4 | 2002 | 2004 | DOHC, Includes Slave Cylinder, Sold As Kit Only |
| 2.4 | 146 | L4 | 2000 | 2001 | Includes Slave Cylinder, Sold As Kit Only |

CALAIS (FWD)

| | | | | | |
|-----|-----|----|------|------|---|
| 2.5 | 153 | L4 | 1986 | 1986 | — |
| 2.5 | 153 | L4 | 1987 | 1987 | — |

CUTLASS CIERA (FWD)

| | | | | | |
|-----|-----|----|------|------|---|
| 2.5 | 153 | L4 | 1984 | 1984 | — |
|-----|-----|----|------|------|---|

CUTLASS, DELMONT 88, DELTA 88, DYNAMIC, F85, JET STAR 88, OMEGA, STARFIRE, VISTA CRUISER

| | | | | | |
|-----|-----|----|------|------|-----------------------------|
| 2.3 | 140 | L4 | 1976 | 1977 | — |
| 2.5 | 153 | L4 | 1978 | 1980 | — |
| 2.5 | 153 | L4 | 1980 | 1984 | 14 Spline Disc |
| 2.8 | 171 | V6 | 1980 | 1984 | — |
| 2.8 | 171 | V6 | 1988 | 1988 | — |
| 2.8 | 171 | V6 | 1989 | 1989 | Quad 4 |
| 3.1 | 189 | V6 | 1989 | 1990 | — |
| 3.4 | 207 | V6 | 1991 | 1992 | Pull Type, Sold As Kit Only |
| 3.7 | 226 | V6 | 1964 | 1965 | — |
| 3.8 | 232 | V6 | 1975 | 1975 | 3 Speed |
| 3.8 | 232 | V6 | 1976 | 1977 | 4 Spd |
| 3.8 | 232 | V6 | 1977 | 1977 | 3 Speed |
| 3.8 | 232 | V6 | 1978 | 1978 | 10-3/8" Disc |
| 3.8 | 232 | V6 | 1978 | 1978 | 9-1/8" Disc |
| 3.8 | 232 | V6 | 1979 | 1981 | — |

| Kit | Disc (mm) | Disc (in) | Spline Dia | Splines | Master Cyl | Slave Cyl | Clutch Cable | Clutch Fork | New Flywheel |
|---------|-----------|-----------|------------|---------|------------|-----------|--------------|-------------|--------------|
| 06006 | 240 | 9-1/2 | 1 | 24 | MC157 | SC884 | — | — | FWNS28 |
| 06042 | 250 | 9-7/8 | 1 | 24 | MC157 | SC576 | — | — | FWNS27 |
| 06042 | 250 | 9-7/8 | 1 | 24 | MC157 | SC576 | — | — | — |
| KNS12 | 250 | 9-7/8 | 1 | 24 | MC162 | SC572 | — | CF114 | — |
| 06058 | 250 | 9-7/8 | 1 | 24 | MC162 | SC572 | — | — | — |
| KNS10 | 250 | 9-7/8 | 1 | 24 | MC162 | SC572 | — | — | — |
| KNS07 | 250 | 9-7/8 | 1 | 24 | MC551 | SC872 | — | — | — |
| KNS03 | 240 | 9-1/2 | 1 | 24 | MC157 | SC577 | — | — | — |
| 06059 | 240 | 9-1/2 | 1 | 24 | MC161 | SC577 | — | — | — |
| 06059 | 240 | 9-1/2 | 1 | 24 | MC161 | SC576 | — | — | — |
| 06059 | 240 | 9-1/2 | 1 | 24 | MC161 | SC576 | — | — | — |
| KNS03 | 240 | 9-1/2 | 1 | 24 | MC157 | SC884 | — | — | — |
| 06059 | 240 | 9-1/2 | 1 | 24 | MC161 | SC577 | — | — | — |
| 06059 | 240 | 9-1/2 | 1 | 24 | MC161 | SC576 | — | — | — |
| 06042 | 250 | 9-7/8 | 1 | 24 | MC157 | SC884 | — | — | — |
| 06034 | 225 | 8-7/8 | 1 | 24 | MC156 | SC563 | — | — | — |
| 06059 | 240 | 9-1/2 | 1 | 24 | MC548 | SC572 | — | — | — |
| KNS10 | 250 | 9-7/8 | 1 | 24 | MC548 | SC572 | — | — | — |
| NSK1007 | 250 | 9-7/8 | 1 | 24 | MC548 | SC572 | — | — | — |
| NSK1006 | 260 | 10 1/4 | 1 | 24 | MC571 | SC903 | — | — | — |
| 04088 | 225 | 8-7/8 | 15/16 | 14 | MC330 | SC715 | — | — | — |
| 04088 | 225 | 8-7/8 | 15/16 | 14 | MC330 | SC715 | — | — | — |
| 04135 | 225 | 8-7/8 | 15/16 | 14 | MC325 | SC715 | — | — | — |
| 04136 | 225 | 8-7/8 | 15/16 | 14 | MC330 | SC715 | — | — | — |
| 04162 | 225 | 8-7/8 | 15/16 | 14 | MC330 | SC715 | — | — | — |
| 04162 | 225 | 8-7/8 | 15/16 | 14 | MC330 | — | — | — | — |
| GMK1000 | 225 | 8-7/8 | 1 | 14 | — | — | — | — | — |
| KGM04 | 225 | 8-7/8 | 1 | 14 | — | — | — | — | — |
| 04005 | 215 | 8-1/2 | 1 | 14 | MC326 | SC723 | — | — | — |
| 04005 | 215 | 8-1/2 | 1 | 14 | MC317 | SC723 | — | — | — |
| 04077 | 225 | 8-7/8 | 15/16 | 14 | — | — | — | — | — |
| 04062 | 232 | 9-1/8 | 1-1/8 | 10 | — | — | — | — | — |
| 04062 | 232 | 9-1/8 | 1-1/8 | 10 | — | — | — | — | — |
| 04077 | 225 | 8-7/8 | 15/16 | 14 | — | — | — | — | — |
| 04077 | 225 | 8-7/8 | 15/16 | 14 | — | — | — | — | FWGM111 |
| 04088 | 225 | 8-7/8 | 15/16 | 14 | MC322 | SC715 | — | — | FWGM111 |
| 04088 | 225 | 8-7/8 | 15/16 | 14 | MC322 | SC715 | — | — | — |
| 04116 | 225 | 8-7/8 | 15/16 | 14 | — | SC715 | — | — | — |
| 04127 | 246 | 9-5/8 | 1 | 23 | MC238 | SC716 | — | — | — |
| 04003 | 254 | 10 | 1-1/8 | 10 | — | — | — | — | — |
| 04062 | 232 | 9-1/8 | 1-1/8 | 10 | — | — | — | — | — |
| 04062 | 232 | 9-1/8 | 1-1/8 | 10 | — | — | — | — | — |
| 04062 | 232 | 9-1/8 | 1-1/8 | 10 | — | — | — | — | — |
| 04002 | 265 | 10-1/2 | 1-1/8 | 10 | — | — | — | — | — |
| 04062 | 232 | 9-1/8 | 1-1/8 | 10 | — | — | — | — | — |
| 04021 | 265 | 10-1/2 | 1-1/8 | 10 | — | — | — | — | — |

1

| Liter | CC/IN | Cyl | Years | | Application Information |
|-------|-------|-----|-------|------|-------------------------|
| | | | To | From | |

OLDSMOBILE (Performance Applications Available) CONT.

CUTLASS, DELMONT 88, DELTA 88, DYNAMIC, F85, JET STAR 88, OMEGA, STARFIRE, VISTA CRUISER CONT.

| | | | | | |
|-----|-----|----|------|------|--------------------------------|
| 4.1 | 250 | L6 | 1968 | 1976 | 3 Spd |
| 4.3 | 262 | V8 | 1975 | 1976 | 3 Spd, 2 BBL |
| 4.3 | 262 | V8 | 1977 | 1979 | — |
| 4.3 | 262 | V8 | 1979 | 1979 | Diesel |
| 5.0 | 305 | V8 | 1977 | 1978 | — |
| 5.0 | 305 | V8 | 1979 | 1979 | — |
| 5.4 | 330 | V8 | 1965 | 1967 | 10-3/8" Disc |
| 5.4 | 330 | V8 | 1965 | 1967 | 11" Disc |
| 5.7 | 348 | V8 | 1968 | 1970 | 3 Spd |
| 5.7 | 348 | V8 | 1969 | 1970 | W-31 |
| 5.7 | 348 | V8 | 1971 | 1973 | 3 Spd, 2 BBL |
| 5.7 | 348 | V8 | 1971 | 1973 | 3 Spd, 4 BBL |
| 5.7 | 348 | V8 | 1971 | 1973 | 4 Spd, 2 BBL |
| 5.7 | 348 | V8 | 1971 | 1973 | 4 Spd, 4 BBL with 10-3/8" Disc |
| 5.7 | 348 | V8 | 1971 | 1973 | 4 Spd, 4 BBL with 11" Disc |
| 6.6 | 403 | V8 | 1966 | 1969 | — |
| 7.0 | 427 | V8 | 1965 | 1965 | — |
| 7.0 | 427 | V8 | 1965 | 1967 | — |
| 7.5 | 458 | V8 | 1968 | 1973 | 3 Spd |
| 7.5 | 458 | V8 | 1971 | 1973 | 4 Spd |

FIRENZA

| | | | | | |
|-----|-----|----|------|------|-------------|
| 1.8 | 110 | L4 | 1982 | 1982 | — |
| 1.8 | 110 | L4 | 1983 | 1986 | — |
| 2.0 | 122 | L4 | 1983 | 1984 | 4 Spd |
| 2.0 | 122 | L4 | 1985 | 1985 | 5 Spd |
| 2.0 | 122 | L4 | 1985 | 1986 | 4 Spd |
| 2.0 | 122 | L4 | 1986 | 1986 | OHV, 5 Spd |
| 2.0 | 122 | L4 | 1987 | 1987 | 4 Spd |
| 2.0 | 122 | L4 | 1988 | 1988 | OHC,TBI,OHV |
| 2.8 | 171 | V6 | 1985 | 1986 | — |
| 2.8 | 171 | V6 | 1987 | 1987 | — |

PEUGEOT

505

| | | | | | |
|-----|------|----|------|------|------------------|
| 2.0 | 1971 | L4 | 1983 | 1987 | Sold As Kit Only |
|-----|------|----|------|------|------------------|

PLYMOUTH (Performance Applications Available)

ACCLAIM

| | | | | | |
|-----|-----|----|------|------|-----------|
| 2.5 | 153 | L4 | 1989 | 1989 | Non-Turbo |
| 2.5 | 153 | L4 | 1989 | 1989 | Turbo |
| 2.5 | 153 | L4 | 1990 | 1990 | Non-Turbo |
| 2.5 | 153 | L4 | 1990 | 1990 | Turbo |
| 2.5 | 153 | L4 | 1991 | 1993 | Non-Turbo |

ARROW

| | | | | | |
|-----|-----|----|------|------|----|
| 1.6 | 98 | L4 | 1976 | 1980 | — |
| 2.0 | 122 | L4 | 1976 | 1977 | — |
| 2.6 | 159 | L4 | 1979 | 1979 | GT |
| 2.6 | 159 | L4 | 1979 | 1980 | — |

BARRACUDA, BELVEDERE, DUSTER, FURY, GRAND FURY, GTX, PLAZA, ROADRUNNER, SATELLITE, SAVOY, SCAMP, VALIANT

| | | | | | |
|-----|-----|----|------|------|-------------|
| 2.8 | 171 | L6 | 1960 | 1969 | 10" Disc |
| 2.8 | 171 | L6 | 1960 | 1969 | 9-1/4" Disc |
| 3.2 | 195 | L6 | 1970 | 1974 | 10" Disc |
| 3.2 | 195 | L6 | 1970 | 1974 | 9-1/4" Disc |
| 3.7 | 226 | L6 | 1960 | 1964 | 10" Disc |
| 3.7 | 226 | L6 | 1960 | 1980 | 9-1/4" Disc |
| 3.7 | 226 | L6 | 1968 | 1980 | 10" Disc |
| 3.7 | 226 | L6 | 1972 | 1972 | 10" Disc |

| Kit | Disc (mm) | Disc (in) | Spline Dia | Splines | Master Cyl | Slave Cyl | Clutch Cable | Clutch Fork | New Flywheel |
|-------|-----------|-----------|------------|---------|------------|-----------|--------------|-------------|--------------|
| 04003 | 254 | 10 | 1-1/8 | 10 | — | — | — | — | — |
| 04003 | 254 | 10 | 1-1/8 | 10 | — | — | — | — | — |
| 04003 | 254 | 10 | 1-1/8 | 10 | — | — | — | — | — |
| 04003 | 254 | 10 | 1-1/8 | 10 | — | — | — | — | — |
| 04002 | 265 | 10-1/2 | 1-1/8 | 10 | — | — | — | — | FWGM101 |
| 04021 | 265 | 10-1/2 | 1-1/8 | 10 | — | — | — | — | FWGM101 |
| 04002 | 265 | 10-1/2 | 1-1/8 | 10 | — | — | — | — | FWGM101 |
| 04049 | 280 | 11 | 1-1/8 | 10 | — | — | — | — | — |
| 04002 | 265 | 10-1/2 | 1-1/8 | 10 | — | — | — | — | FWGM101 |
| 04021 | 265 | 10-1/2 | 1-1/8 | 10 | — | — | — | — | FWGM101 |
| 04002 | 265 | 10-1/2 | 1-1/8 | 10 | — | — | — | — | FWGM101 |
| 04021 | 265 | 10-1/2 | 1-1/8 | 10 | — | — | — | — | FWGM101 |
| 04079 | 263 | 10-3/8 | 1-1/8 | 26 | — | — | — | — | FWGM101 |
| 04019 | 263 | 10-3/8 | 1-1/8 | 26 | — | — | — | — | FWGM101 |
| 04020 | 280 | 11 | 1-1/8 | 26 | — | — | — | — | — |
| 04049 | 280 | 11 | 1-1/8 | 10 | — | — | — | — | — |
| 04021 | 265 | 10-1/2 | 1-1/8 | 10 | — | — | — | — | — |
| 04049 | 280 | 11 | 1-1/8 | 10 | — | — | — | — | — |
| 04049 | 280 | 11 | 1-1/8 | 10 | — | — | — | — | — |
| 04020 | 280 | 11 | 1-1/8 | 26 | — | — | — | — | — |
| 04004 | 203 | 8 | 1 | 14 | — | — | — | — | — |
| 04046 | 215 | 8-1/2 | 1 | 14 | MC318 | SC714 | — | — | — |
| 04004 | 203 | 8 | 1 | 14 | — | — | — | — | — |
| 04005 | 215 | 8-1/2 | 1 | 14 | MC316 | SC714 | — | — | — |
| 04077 | 225 | 8-7/8 | 15/16 | 14 | MC318 | SC714 | — | — | — |
| 04005 | 215 | 8-1/2 | 1 | 14 | MC316 | SC714 | — | — | — |
| 04077 | 225 | 8-7/8 | 15/16 | 14 | — | SC714 | — | — | — |
| 04046 | 215 | 8-1/2 | 1 | 14 | MC316 | SC714 | — | — | — |
| 04077 | 225 | 8-7/8 | 15/16 | 14 | MC318 | SC714 | — | — | FWGM111 |
| 04088 | 225 | 8-7/8 | 15/16 | 14 | MC316 | SC714 | — | — | FWGM111 |
| KPT03 | 215 | 8-7/16 | 1-1/8 | 10 | — | — | — | — | — |
| 05002 | 232 | 9-1/8 | 13/16 | 18 | — | — | — | — | — |
| 05044 | 232 | 9-1/8 | 13/16 | 18 | — | — | — | — | — |
| 05060 | 232 | 9-1/8 | 13/16 | 18 | — | — | — | — | — |
| 05067 | 232 | 9-1/8 | 13/16 | 18 | — | — | — | — | — |
| 05057 | 232 | 9-1/8 | 15/16 | 17 | — | — | — | — | — |
| 05020 | 200 | 7-7/8 | 7/8 | 20 | — | — | — | — | — |
| 05012 | 215 | 8-7/16 | 7/8 | 20 | — | — | — | — | — |
| 05041 | 225 | 8-7/8 | 1-1/32 | 23 | — | — | — | — | — |
| 05052 | 225 | 8-7/8 | 1-1/32 | 23 | — | — | — | — | — |
| 05004 | 254 | 10 | 1 | 23 | — | — | — | — | — |
| 05003 | 236 | 9-1/4 | 1 | 23 | — | — | — | — | — |
| 05004 | 254 | 10 | 1 | 23 | — | — | — | — | — |
| 05003 | 236 | 9-1/4 | 1 | 23 | — | — | — | — | — |
| 05004 | 254 | 10 | 1 | 23 | — | — | — | — | — |
| 05003 | 236 | 9-1/4 | 1 | 23 | — | — | — | — | — |
| 05004 | 254 | 10 | 1 | 23 | — | — | — | — | — |
| 05004 | 254 | 10 | 1 | 23 | — | — | — | — | — |

1

,VOLARE

| Liter | CC/IN | Cyl | Years | | Application Information |
|-------|-------|-----|-------|------|-------------------------|
| | | | To | From | |

PLYMOUTH (Performance Applications Available) CONT.

BARRACUDA, BELVEDERE, DUSTER, FURY, GRAND FURY, GTX, PLAZA, ROADRUNNER, SATELLITE, SAVOY, SCAMP, VALIANT

1

| | | | | | |
|-----|-----|----|------|------|------------------------|
| 3.7 | 226 | L6 | 1972 | 1972 | 9-1/4" Disc |
| 4.5 | 275 | V8 | 1956 | 1956 | 10" Disc |
| 4.5 | 275 | V8 | 1956 | 1956 | 10-3/8" Disc |
| 4.5 | 275 | V8 | 1956 | 1957 | 10" Disc |
| 4.5 | 275 | V8 | 1956 | 1957 | 10-3/8" Disc |
| 4.5 | 275 | V8 | 1964 | 1969 | 10" Disc |
| 4.5 | 275 | V8 | 1964 | 1969 | 10-3/8" Disc |
| 5.2 | 317 | V8 | 1957 | 1958 | 10-3/8" Disc |
| 5.2 | 317 | V8 | 1957 | 1959 | 10" Disc |
| 5.2 | 317 | V8 | 1958 | 1978 | 10-3/8" Disc |
| 5.2 | 317 | V8 | 1960 | 1968 | 10" Disc, Diaph Clutch |
| 5.2 | 317 | V8 | 1968 | 1968 | 10" Disc, Lever Clutch |
| 5.2 | 317 | V8 | 1969 | 1978 | 10" Disc |
| 5.6 | 342 | V8 | 1968 | 1973 | 10-3/8" Disc |
| 5.9 | 360 | V8 | 1959 | 1979 | 10-3/8" Disc |
| 6.3 | 384 | V8 | 1960 | 1971 | 10-3/8" Disc |
| 6.3 | 384 | V8 | 1968 | 1969 | 10-3/8" Disc |
| 6.6 | 403 | V8 | 1972 | 1974 | — |
| 6.6 | 403 | V8 | 1972 | 1978 | — |
| 7.0 | 427 | V8 | 1963 | 1971 | 10-3/8" Disc |

BREEZE

| | | | | | |
|-----|-----|----|------|------|----------------------------------|
| 2.0 | 122 | L4 | 1996 | 2000 | Modular Clutch Includes Flywheel |
| 2.4 | 146 | L4 | 1998 | 2000 | Modular Clutch Includes Flywheel |

CHAMP

| | | | | | |
|-----|----|----|------|------|------------------|
| 1.4 | 85 | L4 | 1979 | 1982 | 2 Door Hatchback |
| 1.4 | 85 | L4 | 1979 | 1982 | Dual Range 4 Spd |
| 1.6 | 98 | L4 | 1979 | 1982 | 2 Door Hatchback |

COLT

| | | | | | |
|-----|-----|----|------|------|---------------------------|
| 1.4 | 85 | L4 | 1979 | 1982 | 4 Spd Luk |
| 1.4 | 85 | L4 | 1979 | 1984 | Dual Range 4 Spd Luk |
| 1.4 | 85 | L4 | 1983 | 1984 | 7-7/8" Disc 4 Spd |
| 1.5 | 92 | L4 | 1985 | 1986 | 4 Spd, 7-7/8" |
| 1.5 | 92 | L4 | 1985 | 1986 | 5 Speed, 7-1/4" |
| 1.5 | 92 | L4 | 1985 | 1988 | 4 Spd |
| 1.5 | 92 | L4 | 1985 | 1988 | 5 Spd |
| 1.5 | 92 | L4 | 1989 | 1994 | — |
| 1.6 | 98 | L4 | 1976 | 1978 | — |
| 1.6 | 98 | L4 | 1979 | 1981 | Wagon |
| 1.6 | 98 | L4 | 1979 | 1982 | Sedan |
| 1.6 | 98 | L4 | 1983 | 1983 | Hatchback |
| 1.6 | 98 | L4 | 1984 | 1984 | Dual Range 4 Spd |
| 1.6 | 98 | L4 | 1984 | 1984 | Turbo, Dual Range 4 Spd |
| 1.6 | 98 | L4 | 1985 | 1988 | Turbo 3 Speed and 5 Speed |
| 1.6 | 98 | L4 | 1989 | 1990 | 5 Spd |
| 1.6 | 98 | L4 | 1989 | 1990 | Turbo, 5 Spd |
| 1.8 | 110 | L4 | 1989 | 1990 | 5 Spd |
| 1.8 | 110 | L4 | 1992 | 1992 | 2 WD with 8-3/8" Disc |
| 1.8 | 110 | L4 | 1992 | 1992 | FWD 8-1/2" Disc |
| 1.8 | 110 | L4 | 1992 | 1994 | — |
| 1.8 | 110 | L4 | 1992 | 1994 | 2 WD |
| 1.8 | 110 | L4 | 1992 | 1994 | 4 WD |
| 2.0 | 122 | L4 | 1976 | 1978 | — |
| 2.0 | 122 | L4 | 1984 | 1984 | 8-1/2" Disc FWD |
| 2.0 | 122 | L4 | 1984 | 1985 | 2 WD with 7-7/8" Disc |
| 2.0 | 122 | L4 | 1985 | 1989 | 4 WD |



| Kit | Disc (mm) | Disc (in) | Spline Dia | Splines | Master Cyl | Slave Cyl | Clutch Cable | Clutch Fork | New Flywheel |
|----------------------|-----------|-----------|------------|---------|------------|-----------|--------------|-------------|--------------|
| <i>,VOLARE CONT.</i> | | | | | | | | | |
| 05003 | 236 | 9-1/4 | 1 | 23 | — | — | — | — | — |
| 05035 | 254 | 10 | 1 | 23 | — | — | — | — | — |
| 05029 | 263 | 10-3/8 | 1 | 23 | — | — | — | — | — |
| 05035 | 254 | 10 | 1 | 23 | — | — | — | — | — |
| 05029 | 263 | 10-3/8 | 1 | 23 | — | — | — | — | — |
| 05035 | 254 | 10 | 1 | 23 | — | — | — | — | — |
| 05029 | 263 | 10-3/8 | 1 | 23 | — | — | — | — | — |
| 05029 | 263 | 10-3/8 | 1 | 23 | — | — | — | — | — |
| 05035 | 254 | 10 | 1 | 23 | — | — | — | — | — |
| 05029 | 263 | 10-3/8 | 1 | 23 | — | — | — | — | — |
| 05035 | 254 | 10 | 1 | 23 | — | — | — | — | — |
| 05004 | 254 | 10 | 1 | 23 | — | — | — | — | — |
| 05035 | 254 | 10 | 1 | 23 | — | — | — | — | — |
| 05029 | 263 | 10-3/8 | 1 | 23 | — | — | — | — | — |
| 05029 | 263 | 10-3/8 | 1 | 23 | — | — | — | — | — |
| 05029 | 263 | 10-3/8 | 1 | 23 | — | — | — | — | — |
| 05029 | 263 | 10-3/8 | 1 | 23 | — | — | — | — | FWCHR106 |
| 05033 | 280 | 11 | 1 | 23 | — | — | — | — | FWCHR106 |
| 05033 | 280 | 11 | 1 | 23 | — | — | — | — | — |
| 05029 | 263 | 10-3/8 | 1 | 23 | — | — | — | — | — |
| <hr/> | | | | | | | | | |
| 05085 | 230 | 9-1/16 | 15/16 | 17 | — | — | — | — | — |
| 05085 | 230 | 9-1/16 | 15/16 | 17 | — | — | — | — | — |
| <hr/> | | | | | | | | | |
| 05022 | 200 | 7-7/8 | 7/8 | 20 | — | — | — | — | — |
| 05023 | 184 | 7-1/4 | 7/8 | 20 | — | — | — | — | — |
| 05023 | 184 | 7-1/4 | 7/8 | 20 | — | — | — | — | — |
| <hr/> | | | | | | | | | |
| 05026 | 200 | 7-7/8 | 7/8 | 20 | — | — | — | — | — |
| 05023 | 184 | 7-1/4 | 7/8 | 20 | — | — | — | — | — |
| 05026 | 200 | 7-7/8 | 7/8 | 20 | — | — | — | — | — |
| 05026 | 200 | 7-7/8 | 7/8 | 20 | — | — | — | — | — |
| 05023 | 184 | 7-1/4 | 7/8 | 20 | MC194 | SC580 | — | — | — |
| 05026 | 200 | 7-7/8 | 7/8 | 20 | — | — | — | — | — |
| 05023 | 184 | 7-1/4 | 7/8 | 20 | MC194 | SC580 | — | — | — |
| 05026 | 200 | 7-7/8 | 7/8 | 20 | MC178 | SC580 | — | — | — |
| 05020 | 200 | 7-7/8 | 7/8 | 20 | — | — | — | — | — |
| 05020 | 200 | 7-7/8 | 7/8 | 20 | — | — | — | — | — |
| 05023 | 184 | 7-1/4 | 7/8 | 20 | — | — | — | — | — |
| 05023 | 184 | 7-1/4 | 7/8 | 20 | — | — | — | — | — |
| 05022 | 200 | 7-7/8 | 7/8 | 20 | MC203 | SC580 | — | — | — |
| 05022 | 200 | 7-7/8 | 7/8 | 20 | MC203 | SC580 | — | — | — |
| 05026 | 200 | 7-7/8 | 7/8 | 20 | — | — | — | — | — |
| 05051 | 210 | 8-1/4 | 7/8 | 20 | MC178 | SC581 | — | — | — |
| 05051 | 210 | 8-1/4 | 7/8 | 20 | MC178 | SC581 | — | — | — |
| 05051 | 210 | 8-1/4 | 7/8 | 20 | MC178 | SC589 | — | — | — |
| 05051 | 210 | 8-1/4 | 7/8 | 20 | MC175 | SC589 | — | — | — |
| 05021 | 215 | 8-1/2 | 7/8 | 20 | MC175 | SC589 | — | — | — |
| 05051 | 210 | 8-1/4 | 7/8 | 20 | — | — | — | — | — |
| 05051 | 210 | 8-1/4 | 7/8 | 20 | — | SC589 | — | — | — |
| 05021 | 215 | 8-1/2 | 7/8 | 20 | — | SC589 | — | — | — |
| 05021 | 215 | 8-1/2 | 7/8 | 20 | — | — | — | — | — |
| 05021 | 215 | 8-1/2 | 7/8 | 20 | — | — | — | — | — |
| 05026 | 200 | 7-7/8 | 7/8 | 20 | — | — | — | — | — |
| 05021 | 215 | 8-1/2 | 7/8 | 20 | MC175 | SC583 | — | — | — |

1

| Liter | CC/IN | Cyl | Years | | Application Information |
|-------|-------|-----|-------|------|-------------------------|
| | | | To | From | |

PLYMOUTH (Performance Applications Available) CONT.

COLT CONT.

| | | | | | |
|-----|-----|----|------|------|-----------------------|
| 2.0 | 122 | L4 | 1986 | 1986 | 3 Speed and 5 Speed |
| 2.0 | 122 | L4 | 1986 | 1986 | 5 Speed |
| 2.0 | 122 | L4 | 1986 | 1987 | 2 WD with 7-7/8" Disc |
| 2.0 | 122 | L4 | 1987 | 1987 | 2 WD with 8-3/8" Disc |
| 2.0 | 122 | L4 | 1988 | 1989 | 2 WD |
| 2.0 | 122 | L4 | 1990 | 1990 | 2 WD 8-1/4" Disc |
| 2.0 | 122 | L4 | 1990 | 1990 | FWD 8-1/2" Disc |
| 2.0 | 122 | L4 | 1991 | 1991 | 2 WD |
| 2.0 | 122 | L4 | 1991 | 1991 | 4 WD |
| 2.4 | 146 | L4 | 1992 | 1992 | Sold As Kit Only |
| 2.4 | 146 | L4 | 1993 | 1994 | Sold As Kit Only |
| 2.6 | 159 | L4 | 1978 | 1980 | — |

CONQUEST

| | | | | | |
|-----|-----|----|------|------|------------------------|
| 2.6 | 159 | L4 | 1984 | 1984 | Non Intercooled Turbo |
| 2.6 | 159 | L4 | 1984 | 1986 | Non-intercooled, Turbo |
| 2.6 | 159 | L4 | 1985 | 1986 | Turbo, Intercooled |
| 2.6 | 159 | L4 | 1987 | 1987 | — |
| 2.6 | 159 | L4 | 1988 | 1989 | Intercooled Turbo |

HORIZON, SCAMP, TURISMO

| | | | | | |
|-----|-----|----|------|------|------------------|
| 1.6 | 98 | L4 | 1983 | 1986 | — |
| 1.7 | 104 | L4 | 1978 | 1983 | — |
| 2.2 | 134 | L4 | 1981 | 1989 | Sold As Kit Only |
| 2.2 | 134 | L4 | 1990 | 1990 | — |

LASER

| | | | | | |
|-----|-----|----|------|------|---|
| 1.8 | 110 | L4 | 1990 | 1991 | — |
| 1.8 | 110 | L4 | 1992 | 1994 | — |
| 2.0 | 122 | L4 | 1990 | 1991 | Non-Turbo with Speed Control |
| 2.0 | 122 | L4 | 1990 | 1991 | Non-Turbo without Speed Control |
| 2.0 | 122 | L4 | 1990 | 1991 | Turbo, 2 WD with Speed Control, Sold As Kit Only |
| 2.0 | 122 | L4 | 1990 | 1991 | Turbo, 4 WD with Speed Control, Sold as Kit Only |
| 2.0 | 122 | L4 | 1990 | 1991 | Turbo, 4 WD without Speed Control, Sold as Kit Only |
| 2.0 | 122 | L4 | 1990 | 1992 | Turbo, 2 WD without Speed Control, Sold As Kit Only |
| 2.0 | 122 | L4 | 1992 | 1992 | 2 WD with Speed Control, Sold As Kit Only |
| 2.0 | 122 | L4 | 1992 | 1992 | 4 WD with Speed Control, Sold As Kit Only |
| 2.0 | 122 | L4 | 1992 | 1992 | 4 WD without Speed Control, Sold As Kit Only |
| 2.0 | 122 | L4 | 1992 | 1994 | Non-Turbo |
| 2.0 | 122 | L4 | 1993 | 1994 | Turbo, 2 WD, Sold As Kit Only |
| 2.0 | 122 | L4 | 1993 | 1994 | Turbo, 4 WD, Sold As Kit Only |

NEON

| | | | | | |
|-----|-----|----|------|------|----------------------------------|
| 2.0 | 122 | L4 | 1995 | 1999 | 11th Digit Vin is T |
| 2.0 | 122 | L4 | 1996 | 2000 | Modular Clutch Includes Flywheel |
| 2.0 | 122 | L4 | 2001 | 2001 | Modular Clutch Includes Flywheel |

RELIANT

| | | | | | |
|-----|-----|----|------|------|------------------|
| 2.2 | 134 | L4 | 1981 | 1983 | Sold As Kit Only |
| 2.2 | 134 | L4 | 1986 | 1988 | Sold As Kit Only |
| 2.5 | 153 | L4 | 1986 | 1988 | — |

SAPPORO

| | | | | | |
|-----|-----|----|------|------|---|
| 1.6 | 98 | L4 | 1978 | 1979 | — |
| 2.6 | 159 | L4 | 1978 | 1983 | — |

SUNDANCE

| | | | | | |
|-----|-----|----|------|------|-----------------------------|
| 2.2 | 134 | L4 | 1987 | 1988 | Turbo |
| 2.2 | 134 | L4 | 1987 | 1989 | Non-Turbo, Sold As Kit Only |
| 2.2 | 134 | L4 | 1990 | 1990 | Non-Turbo |
| 2.2 | 134 | L4 | 1991 | 1994 | Non-Turbo |
| 2.5 | 153 | L4 | 1988 | 1989 | Non-Turbo |

| Kit | Disc (mm) | Disc (in) | Spline Dia | Splines | Master Cyl | Slave Cyl | Clutch Cable | Clutch Fork | New Flywheel |
|--------|-----------|-----------|------------|---------|------------|-----------|--------------|-------------|--------------|
| 05026 | 200 | 7-7/8 | 7/8 | 20 | — | — | — | — | — |
| 05023 | 184 | 7-1/4 | 7/8 | 20 | MC194 | SC580 | — | — | — |
| 05026 | 200 | 7-7/8 | 7/8 | 20 | MC175 | SC581 | — | — | — |
| 05051 | 210 | 8-1/4 | 7/8 | 20 | MC175 | — | — | — | — |
| 05051 | 210 | 8-1/4 | 7/8 | 20 | MC175 | — | — | — | — |
| 05051 | 210 | 8-1/4 | 7/8 | 20 | MC175 | — | — | — | — |
| 05021 | 215 | 8-1/2 | 7/8 | 20 | MC175 | SC583 | — | — | — |
| 05051 | 210 | 8-1/4 | 7/8 | 20 | MC175 | — | — | — | — |
| 05021 | 215 | 8-1/2 | 7/8 | 20 | MC175 | SC583 | — | — | — |
| 05048 | 225 | 8-7/8 | 7/8 | 20 | — | SC584 | — | — | — |
| 05048 | 225 | 8-7/8 | 7/8 | 20 | — | SC589 | — | — | — |
| 05041 | 225 | 8-7/8 | 1-1/32 | 23 | — | — | — | — | — |
| 05025 | 225 | 8-7/8 | 1-1/32 | 23 | MC175 | SC579 | — | — | — |
| 05025 | 225 | 8-7/8 | 1-1/32 | 23 | MC175 | SC821 | — | — | — |
| 05046 | 225 | 8-7/8 | 1-1/32 | 23 | MC175 | SC579 | — | — | — |
| 05046 | 225 | 8-7/8 | 1-1/32 | 23 | MC175 | SC579 | — | — | — |
| 05049 | 240 | 9-1/2 | 1-1/16 | 23 | MC175 | SC679 | — | — | — |
| 05009 | 200 | 7-7/8 | 13/16 | 18 | — | — | — | — | — |
| 05009 | 200 | 7-7/8 | 13/16 | 18 | — | — | — | — | — |
| 05028A | 215 | 8-7/16 | 13/16 | 18 | — | — | — | — | — |
| 05061 | 215 | 8-7/16 | 13/16 | 18 | — | — | — | — | — |
| 05022 | 200 | 7-7/8 | 7/8 | 20 | MC179 | SC581 | — | — | — |
| 05022 | 200 | 7-7/8 | 7/8 | 20 | MC180 | SC581 | — | — | — |
| 05051 | 210 | 8-1/4 | 7/8 | 20 | MC180 | SC581 | — | — | — |
| 05051 | 210 | 8-1/4 | 7/8 | 20 | MC179 | SC581 | — | — | — |
| 05048 | 225 | 8-7/8 | 7/8 | 20 | MC180 | SC586 | — | — | — |
| 05048 | 225 | 8-7/8 | 7/8 | 20 | MC180 | SC587 | — | — | — |
| 05048 | 225 | 8-7/8 | 7/8 | 20 | MC179 | SC587 | — | — | — |
| 05048 | 225 | 8-7/8 | 7/8 | 20 | MC529 | SC820 | — | — | — |
| 05048 | 225 | 8-7/8 | 7/8 | 20 | MC180 | SC586 | — | — | — |
| 05048 | 225 | 8-7/8 | 7/8 | 20 | MC180 | SC587 | — | — | — |
| 05048 | 225 | 8-7/8 | 7/8 | 20 | MC179 | SC587 | — | — | — |
| 05051 | 210 | 8-1/4 | 7/8 | 20 | MC180 | SC581 | — | — | — |
| 05048 | 225 | 8-7/8 | 7/8 | 20 | MC180 | SC586 | — | — | — |
| 05048 | 225 | 8-7/8 | 7/8 | 20 | MC180 | SC587 | — | — | — |
| 05076 | 230 | 9-1/16 | 15/16 | 17 | — | — | — | — | — |
| 05085 | 230 | 9-1/16 | 15/16 | 17 | — | — | — | — | — |
| 05085 | 230 | 9-1/16 | 15/16 | 17 | MC346 | SC790 | — | — | — |
| 05028A | 215 | 8-7/16 | 13/16 | 18 | — | — | — | — | — |
| 05028A | 215 | 8-7/16 | 13/16 | 18 | — | — | — | — | — |
| 05002 | 232 | 9-1/8 | 13/16 | 18 | — | — | — | — | — |
| 05020 | 200 | 7-7/8 | 7/8 | 20 | — | — | — | — | — |
| 05041 | 225 | 8-7/8 | 1-1/32 | 23 | — | — | — | — | — |
| 05002 | 232 | 9-1/8 | 13/16 | 18 | — | — | — | — | — |
| 05048 | 225 | 8-7/8 | 7/8 | 20 | — | — | — | — | — |
| 05061 | 215 | 8-7/16 | 13/16 | 18 | — | — | — | — | — |
| 05059 | 215 | 8-7/16 | 13/16 | 17 | — | — | — | — | — |
| 05002 | 232 | 9-1/8 | 13/16 | 18 | — | — | — | — | — |

1

| Liter | CC/IN | Cyl | Years | | Application Information |
|-------|-------|-----|-------|------|-------------------------|
| | | | To | From | |

PLYMOUTH (Performance Applications Available) CONT.

SUNDANCE CONT.

| | | | | | |
|-----|-----|----|------|------|-----------|
| 2.5 | 153 | L4 | 1989 | 1989 | Turbo |
| 2.5 | 153 | L4 | 1990 | 1990 | Non-Turbo |
| 2.5 | 153 | L4 | 1990 | 1990 | Turbo |
| 2.5 | 153 | L4 | 1991 | 1991 | Turbo |
| 2.5 | 153 | L4 | 1991 | 1994 | Non-Turbo |
| 3.0 | 183 | V6 | 1993 | 1994 | Non-Turbo |

PLYMOUTH LIGH TRUCK, SUV & VAN

ARROW PICKUP

| | | | | | |
|-----|-----|----|------|------|---|
| 2.0 | 122 | L4 | 1979 | 1980 | — |
| 2.0 | 122 | L4 | 1981 | 1982 | — |
| 2.6 | 159 | L4 | 1979 | 1982 | — |

TRAILDUSTER

| | | | | | |
|-----|-----|----|------|------|--------------|
| 3.7 | 226 | L6 | 1975 | 1980 | 10" Disc |
| 3.7 | 226 | L6 | 1975 | 1980 | 11" Disc |
| 5.2 | 317 | V8 | 1974 | 1981 | 10-3/8" Disc |
| 5.2 | 317 | V8 | 1974 | 1981 | 11" Disc |
| 5.9 | 360 | V8 | 1974 | 1981 | — |

VOYAGER

| | | | | | |
|-----|-----|----|------|------|----------------------------------|
| 2.2 | 134 | L4 | 1984 | 1987 | — |
| 2.5 | 153 | L4 | 1987 | 1989 | Non-Turbo |
| 2.5 | 153 | L4 | 1989 | 1989 | Turbo |
| 2.5 | 153 | L4 | 1990 | 1990 | Non-Turbo |
| 2.5 | 153 | L4 | 1990 | 1990 | Turbo |
| 2.5 | 153 | L4 | 1992 | 1992 | — |
| 2.5 | 153 | L4 | 1993 | 1995 | Modular Clutch Includes Flywheel |
| 2.6 | 159 | L4 | 1984 | 1986 | — |
| 3.0 | 183 | V6 | 1990 | 1990 | Modular Clutch Includes Flywheel |
| 3.0 | 183 | V6 | 1991 | 1992 | — |
| 3.0 | 183 | V6 | 1993 | 1994 | Modular Clutch Includes Flywheel |
| 3.3 | 201 | V6 | 1992 | 1993 | Modular Clutch Includes Flywheel |

PONTIAC

6000

| | | | | | |
|-----|-----|----|------|------|---|
| 2.5 | 153 | L4 | 1984 | 1984 | — |
| 2.5 | 153 | L4 | 1987 | 1988 | — |
| 2.8 | 171 | V6 | 1986 | 1986 | — |
| 2.8 | 171 | V6 | 1987 | 1988 | — |

ASTRE

| | | | | | |
|-----|-----|----|------|------|---|
| 2.3 | 140 | L4 | 1975 | 1977 | — |
| 2.5 | 153 | L4 | 1977 | 1977 | — |

BONNEVILLE, CATALINA, CHIEFTAN, EXECUTIVE, GRAND PRIX, GRANDVILLE

| | | | | | |
|-----|-----|----|------|------|----------------------------------|
| 2.8 | 171 | V6 | 1988 | 1988 | FWD |
| 2.8 | 171 | V6 | 1989 | 1989 | FWD |
| 3.1 | 189 | V6 | 1989 | 1990 | Turbo, FWD |
| 3.1 | 189 | V6 | 1989 | 1992 | FWD |
| 3.4 | 207 | V6 | 1991 | 1993 | FWD, Pull Type, Sold As Kit Only |
| 5.7 | 348 | V8 | 1970 | 1972 | 10 Spline Disc |
| 5.7 | 348 | V8 | 1971 | 1972 | 26 Spline Disc |
| 6.4 | 391 | V8 | 1959 | 1960 | 12" Diaph Clutch |
| 6.4 | 391 | V8 | 1959 | 1960 | 12" Lever Type Clutch |
| 6.4 | 391 | V8 | 1963 | 1966 | 2 BBL |
| 6.4 | 391 | V8 | 1964 | 1964 | 4 BBL |
| 6.4 | 391 | V8 | 1965 | 1966 | 4 BBL |
| 6.6 | 403 | V8 | 1967 | 1969 | 10-3/8" Disc |
| 6.6 | 403 | V8 | 1967 | 1970 | 11" Disc |
| 6.6 | 403 | V8 | 1970 | 1970 | 10-3/8" Disc |

| Kit | Disc (mm) | Disc (in) | Spline Dia | Splines | Master Cyl | Slave Cyl | Clutch Cable | Clutch Fork | New Flywheel |
|-------|-----------|-----------|------------|---------|------------|-----------|--------------|-------------|--------------|
| 05044 | 232 | 9-1/8 | 13/16 | 18 | — | — | — | — | — |
| 05060 | 232 | 9-1/8 | 13/16 | 18 | — | — | — | — | — |
| 05067 | 232 | 9-1/8 | 13/16 | 18 | — | — | — | — | — |
| 05057 | 232 | 9-1/8 | 15/16 | 17 | — | — | — | — | — |
| 05057 | 232 | 9-1/8 | 15/16 | 17 | — | — | — | — | — |
| 05057 | 232 | 9-1/8 | 15/16 | 17 | — | — | — | — | — |
| 05012 | 215 | 8-7/16 | 7/8 | 20 | — | — | — | — | — |
| 05011 | 215 | 8-7/16 | 7/8 | 23 | — | — | — | — | — |
| 05041 | 225 | 8-7/8 | 1-1/32 | 23 | — | — | CC216 | — | — |
| 05004 | 254 | 10 | 1 | 23 | — | — | — | — | — |
| 05016 | 280 | 11 | 1 | 23 | — | — | — | — | — |
| 05029 | 263 | 10-3/8 | 1 | 23 | — | — | — | — | — |
| 05016 | 280 | 11 | 1 | 23 | — | — | — | — | — |
| 05016 | 280 | 11 | 1 | 23 | — | — | — | — | — |
| 05002 | 232 | 9-1/8 | 13/16 | 18 | — | — | — | — | — |
| 05002 | 232 | 9-1/8 | 13/16 | 18 | — | — | — | — | — |
| 05044 | 232 | 9-1/8 | 13/16 | 18 | — | — | — | — | — |
| 05060 | 232 | 9-1/8 | 13/16 | 18 | — | — | — | — | — |
| 05067 | 232 | 9-1/8 | 13/16 | 18 | — | — | — | — | — |
| 05057 | 232 | 9-1/8 | 15/16 | 17 | — | — | — | — | — |
| 05069 | 228 | 9 | 15/16 | 17 | — | — | — | — | — |
| 05052 | 225 | 8-7/8 | 1-1/32 | 23 | — | — | — | — | — |
| 05060 | 232 | 9-1/8 | 13/16 | 18 | — | — | — | — | — |
| 05057 | 232 | 9-1/8 | 15/16 | 17 | — | — | — | — | — |
| 05069 | 228 | 9 | 15/16 | 17 | — | — | — | — | — |
| 05069 | 228 | 9 | 15/16 | 17 | — | — | — | — | — |
| 04077 | 225 | 8-7/8 | 15/16 | 14 | — | — | — | — | — |
| 04088 | 225 | 8-7/8 | 15/16 | 14 | MC319 | — | — | — | FWGM111 |
| 04088 | 225 | 8-7/8 | 15/16 | 14 | MC319 | — | — | — | FWGM111 |
| 04088 | 225 | 8-7/8 | 15/16 | 14 | MC319 | SC714 | — | — | FWGM111 |
| 04062 | 232 | 9-1/8 | 1-1/8 | 10 | — | — | — | — | — |
| 04062 | 232 | 9-1/8 | 1-1/8 | 10 | — | — | — | — | — |
| 04088 | 225 | 8-7/8 | 15/16 | 14 | MC322 | SC715 | — | — | FWGM111 |
| 04088 | 225 | 8-7/8 | 15/16 | 14 | MC322 | SC715 | — | — | — |
| 04116 | 225 | 8-7/8 | 15/16 | 14 | MC322 | SC715 | — | — | — |
| 04116 | 225 | 8-7/8 | 15/16 | 14 | MC322 | SC715 | — | — | — |
| 04127 | 246 | 9-5/8 | 1 | 23 | MC328 | SC716 | — | — | — |
| 04002 | 265 | 10-1/2 | 1-1/8 | 10 | — | — | — | — | FWGM101 |
| 04079 | 263 | 10-3/8 | 1-1/8 | 26 | — | — | — | — | — |
| 04064 | 300 | 11-3/4 | 1-1/8 | 10 | — | — | — | — | — |
| 04502 | 300 | 11-3/4 | 1-1/8 | 10 | — | — | — | — | — |
| 04002 | 265 | 10-1/2 | 1-1/8 | 10 | — | — | — | — | — |
| 04021 | 265 | 10-1/2 | 1-1/8 | 10 | — | — | — | — | — |
| 04049 | 280 | 11 | 1-1/8 | 10 | — | — | — | — | — |
| 04002 | 265 | 10-1/2 | 1-1/8 | 10 | — | — | — | — | FWGM101 |
| 04049 | 280 | 11 | 1-1/8 | 10 | — | — | — | — | — |
| 04021 | 265 | 10-1/2 | 1-1/8 | 10 | — | — | — | — | FWGM101 |

1

| Liter | CC/IN | Cyl | Years | | Application Information |
|-------|-------|-----|-------|------|-------------------------|
| | | | To | From | |

PONTIAC CONT.

BONNEVILLE, CATALINA, CHIEFTAN, EXECUTIVE, GRAND PRIX, GRANDVILLE CONT.

| | | | | | |
|-----|-----|----|------|------|-------|
| 6.6 | 403 | V8 | 1971 | 1972 | 3 Spd |
| 6.6 | 403 | V8 | 1971 | 1972 | 4 Spd |
| 6.6 | 403 | V8 | 1971 | 1972 | 4 Spd |
| 7.0 | 427 | V8 | 1967 | 1969 | — |
| 7.5 | 458 | V8 | 1970 | 1971 | 3 Spd |
| 7.5 | 458 | V8 | 1971 | 1972 | 4 Spd |

FIERO

| | | | | | |
|-----|-----|----|------|------|-------|
| 2.5 | 153 | L4 | 1985 | 1985 | — |
| 2.5 | 153 | L4 | 1986 | 1988 | — |
| 2.8 | 171 | V6 | 1985 | 1985 | 4 Spd |
| 2.8 | 171 | V6 | 1985 | 1985 | 4 Spd |
| 2.8 | 171 | V6 | 1986 | 1986 | 4 Spd |
| 2.8 | 171 | V6 | 1986 | 1988 | 5 Spd |

FIREBIRD, TRANS AM

| | | | | | |
|-----|-----|----|------|------|-------------------------------------|
| 2.5 | 153 | L4 | 1982 | 1982 | — |
| 2.5 | 153 | L4 | 1983 | 1983 | Non Pre-Damped |
| 2.5 | 153 | L4 | 1983 | 1986 | Pre-Damped |
| 2.5 | 153 | L4 | 1984 | 1986 | Non Pre-Damped |
| 2.8 | 171 | V6 | 1982 | 1982 | — |
| 2.8 | 171 | V6 | 1983 | 1983 | — |
| 2.8 | 171 | V6 | 1984 | 1984 | — |
| 2.8 | 171 | V6 | 1984 | 1984 | 4 Spd |
| 2.8 | 171 | V6 | 1985 | 1987 | Non Pre-Damped |
| 2.8 | 171 | V6 | 1985 | 1987 | Pre-Damped |
| 2.8 | 171 | V6 | 1988 | 1988 | Non Pre-Damped |
| 2.8 | 171 | V6 | 1988 | 1988 | Pre-Damped |
| 2.8 | 171 | V6 | 1989 | 1989 | Non Pre-Damped |
| 2.8 | 171 | V6 | 1989 | 1989 | Pre-Damped |
| 3.1 | 189 | V6 | 1990 | 1992 | Non Pre-Damped |
| 3.1 | 189 | V6 | 1990 | 1992 | Pre-Damped |
| 3.4 | 207 | V6 | 1993 | 1994 | — |
| 3.4 | 207 | V6 | 1995 | 1995 | With Pushrod CV601A |
| 3.4 | 207 | V6 | 1995 | 1995 | With Pushrod H603A |
| 3.8 | 232 | L6 | 1967 | 1967 | 1 BBL |
| 3.8 | 232 | L6 | 1967 | 1967 | 2 BBL |
| 3.8 | 232 | V6 | 1977 | 1977 | 10" Disc |
| 3.8 | 232 | V6 | 1977 | 1977 | 9-1/8" Disc |
| 3.8 | 232 | V6 | 1978 | 1978 | — |
| 3.8 | 232 | V6 | 1979 | 1980 | — |
| 3.8 | 232 | V6 | 1980 | 1981 | — |
| 3.8 | 232 | V6 | 1996 | 2002 | — |
| 4.1 | 250 | L6 | 1968 | 1975 | — |
| 4.1 | 250 | L6 | 1976 | 1976 | — |
| 4.9 | 299 | V8 | 1977 | 1977 | — |
| 4.9 | 299 | V8 | 1979 | 1979 | — |
| 4.9 | 299 | V8 | 1980 | 1980 | — |
| 4.9 | 299 | V8 | 1980 | 1980 | Turbo |
| 5.0 | 305 | V8 | 1977 | 1978 | — |
| 5.0 | 305 | V8 | 1979 | 1981 | — |
| 5.0 | 305 | V8 | 1981 | 1981 | 26 Spline Disc |
| 5.0 | 305 | V8 | 1981 | 1981 | 26 Spline Disc, California Emission |
| 5.0 | 305 | V8 | 1982 | 1982 | 10 Spline Disc |
| 5.0 | 305 | V8 | 1982 | 1982 | 26 Spline Disc |
| 5.0 | 305 | V8 | 1983 | 1983 | — |
| 5.0 | 305 | V8 | 1984 | 1985 | — |

| Kit | Disc (mm) | Disc (in) | Spline Dia | Splines | Master Cyl | Slave Cyl | Clutch Cable | Clutch Fork | New Flywheel |
|-------|-----------|-----------|------------|---------|------------|-----------|--------------|-------------|--------------|
| 04021 | 265 | 10-1/2 | 1-1/8 | 10 | — | — | — | — | — |
| 04019 | 263 | 10-3/8 | 1-1/8 | 26 | — | — | — | — | FWGM101 |
| 04019 | 263 | 10-3/8 | 1-1/8 | 26 | — | — | — | — | FWGM101 |
| 04049 | 280 | 11 | 1-1/8 | 10 | — | — | — | — | — |
| 04049 | 280 | 11 | 1-1/8 | 10 | — | — | — | — | — |
| 04020 | 280 | 11 | 1-1/8 | 26 | — | — | — | — | — |
| 04005 | 215 | 8-1/2 | 1 | 14 | MC531 | SC829 | — | — | — |
| 04005 | 215 | 8-1/2 | 1 | 14 | — | SC829 | — | — | — |
| 04077 | 225 | 8-7/8 | 15/16 | 14 | — | SC829 | — | — | FWGM111 |
| 04077 | 225 | 8-7/8 | 15/16 | 14 | MC531 | — | — | — | FWGM111 |
| 04077 | 225 | 8-7/8 | 15/16 | 14 | — | — | — | — | FWGM111 |
| 04088 | 225 | 8-7/8 | 15/16 | 14 | — | — | — | — | FWGM111 |
| 04052 | 232 | 9-1/8 | 1-1/8 | 10 | — | — | — | — | — |
| 04053 | 225 | 8-7/8 | 15/16 | 14 | — | — | — | — | — |
| 04129 | 232 | 9-1/8 | 1 | 14 | MC315 | SC787 | — | — | — |
| 04053 | 225 | 8-7/8 | 15/16 | 14 | MC315 | SC787 | — | — | — |
| 04055 | 232 | 9-1/8 | 1-1/8 | 10 | — | — | — | — | FWGM111 |
| 04069 | 215 | 8-1/2 | 1 | 14 | — | — | — | — | — |
| 04069 | 215 | 8-1/2 | 1 | 14 | MC315 | SC787 | — | — | — |
| 04055 | 232 | 9-1/8 | 1-1/8 | 10 | MC315 | SC787 | — | — | FWGM111 |
| 04053 | 225 | 8-7/8 | 15/16 | 14 | MC320 | SC787 | — | CF129 | FWGM111 |
| 04129 | 232 | 9-1/8 | 1 | 14 | MC320 | SC787 | — | CF129 | FWGM111 |
| 04053 | 225 | 8-7/8 | 15/16 | 14 | MC320 | SC787 | — | — | FWGM111 |
| 04129 | 232 | 9-1/8 | 1 | 14 | MC320 | SC787 | — | — | FWGM111 |
| 04053 | 225 | 8-7/8 | 15/16 | 14 | MC320 | SC787 | — | — | — |
| 04129 | 232 | 9-1/8 | 1 | 14 | MC320 | SC787 | — | — | — |
| 04053 | 225 | 8-7/8 | 15/16 | 14 | MC320 | SC787 | — | CF129 | — |
| 04129 | 232 | 9-1/8 | 1 | 14 | MC320 | SC787 | — | CF129 | — |
| 04133 | 246 | 9-5/8 | 1-1/8 | 26 | MC331 | SC719 | — | — | — |
| 04133 | 246 | 9-5/8 | 1-1/8 | 26 | MC331 | SC719 | — | — | — |
| 04133 | 246 | 9-5/8 | 1-1/8 | 26 | MC334 | SC719 | — | — | — |
| 04003 | 254 | 10 | 1-1/8 | 10 | — | — | — | — | — |
| 04021 | 265 | 10-1/2 | 1-1/8 | 10 | — | — | — | — | — |
| 04003 | 254 | 10 | 1-1/8 | 10 | — | — | — | — | — |
| 04062 | 232 | 9-1/8 | 1-1/8 | 10 | — | — | — | — | — |
| 04002 | 265 | 10-1/2 | 1-1/8 | 10 | — | — | — | — | — |
| 04021 | 265 | 10-1/2 | 1-1/8 | 10 | — | — | — | — | — |
| 04021 | 265 | 10-1/2 | 1-1/8 | 10 | — | — | — | CF100 | — |
| 04082 | 246 | 9-5/8 | 1-1/8 | 26 | MC334 | SC746 | — | — | — |
| 04003 | 254 | 10 | 1-1/8 | 10 | — | — | — | — | — |
| 04003 | 254 | 10 | 1-1/8 | 10 | — | — | — | CF100 | — |
| 04021 | 265 | 10-1/2 | 1-1/8 | 10 | — | — | — | — | — |
| 04019 | 263 | 10-3/8 | 1-1/8 | 26 | — | — | — | — | — |
| 04021 | 265 | 10-1/2 | 1-1/8 | 10 | — | — | — | — | — |
| 04021 | 265 | 10-1/2 | 1-1/8 | 10 | — | — | — | — | — |
| 04002 | 265 | 10-1/2 | 1-1/8 | 10 | — | — | — | CF100 | FWGM101 |
| 04021 | 265 | 10-1/2 | 1-1/8 | 10 | — | — | — | CF100 | FWGM101 |
| 04019 | 263 | 10-3/8 | 1-1/8 | 26 | — | — | — | CF100 | FWGM101 |
| 04020 | 280 | 11 | 1-1/8 | 26 | — | — | — | CF100 | — |
| 04021 | 265 | 10-1/2 | 1-1/8 | 10 | — | — | — | — | FWGM101 |
| 04019 | 263 | 10-3/8 | 1-1/8 | 26 | — | — | — | — | FWGM101 |
| 04019 | 263 | 10-3/8 | 1-1/8 | 26 | — | — | — | CF133 | FWGM101 |
| 04019 | 263 | 10-3/8 | 1-1/8 | 26 | MC315 | SC787 | — | CF133 | FWGM101 |

1

| Liter | CC/IN | Cyl | Years | | Application Information |
|-------|-------|-----|-------|------|-------------------------|
| | | | To | From | |

PONTIAC CONT.

FIREBIRD, TRANS AM CONT.

| | | | | | |
|-----|-----|----|------|------|----------------------------------|
| 5.0 | 305 | V8 | 1986 | 1992 | — |
| 5.3 | 323 | V8 | 1967 | 1967 | — |
| 5.7 | 348 | V8 | 1968 | 1975 | 3 Speed, 2 BBL |
| 5.7 | 348 | V8 | 1969 | 1971 | High Output Engine |
| 5.7 | 348 | V8 | 1971 | 1974 | 4 Speed, 2 BBL |
| 5.7 | 348 | V8 | 1975 | 1975 | 4 Speed |
| 5.7 | 348 | V8 | 1975 | 1975 | 4BBL |
| 5.7 | 348 | V8 | 1976 | 1976 | 3 Speed, 2 BBL |
| 5.7 | 348 | V8 | 1976 | 1977 | 4 Speed |
| 5.7 | 348 | V8 | 1976 | 1977 | 4BBL |
| 5.7 | 348 | V8 | 1978 | 1978 | — |
| 5.7 | 348 | V8 | 1987 | 1992 | — |
| 5.7 | 348 | V8 | 1998 | 2002 | Modular Clutch Includes Flywheel |
| 6.6 | 403 | V8 | 1967 | 1968 | — |
| 6.6 | 403 | V8 | 1971 | 1972 | 3 Spd, Ram Air |
| 6.6 | 403 | V8 | 1971 | 1974 | 4 Spd, 2 BBL |
| 6.6 | 403 | V8 | 1975 | 1977 | 4BBL |
| 6.6 | 403 | V8 | 1978 | 1979 | — |
| 7.5 | 458 | V8 | 1973 | 1976 | — |

FIREFLY (CANADA)

| | | | | | |
|-----|----|----|------|------|-----------|
| 1.0 | 61 | L3 | 1985 | 1988 | Non-Turbo |
| 1.0 | 61 | L3 | 1987 | 1990 | Turbo |
| 1.0 | 61 | L3 | 1989 | 1991 | Non-Turbo |

G5

| | | | | | |
|-----|-----|----|------|------|---|
| 2.2 | 134 | L4 | 2007 | 2008 | Includes Slave Cylinder, Sold As Kit Only |
| 2.4 | 146 | L4 | 2007 | 2008 | Includes Slave Cylinder, Sold As Kit Only |

GRAND AM, GRAND SAFARI, LA MANS, TEMPEST, VENTURA

| | | | | | |
|-----|-----|----|------|------|--|
| 2.0 | 122 | L4 | 1987 | 1988 | Turbo |
| 2.2 | 134 | L4 | 2002 | 2004 | Includes Slave Cylinder, Sold As Kit Only |
| 2.3 | 140 | L4 | 1989 | 1991 | Quad 4, 8th Digit of VIN Is A, Includes Slave Cylinder |
| 2.3 | 140 | L4 | 1992 | 1992 | Quad 4, 8th Digit of VIN Is A, Includes Slave Cylinder |
| 2.3 | 140 | L4 | 1992 | 1992 | With External Slave Cylinder |
| 2.3 | 140 | L4 | 1993 | 1994 | 8th Digit of VIN is 3, SOHC |
| 2.3 | 140 | L4 | 1993 | 1994 | Quad 4, 8th Digit in VIN Is A, Includes Slave Cylinder |
| 2.3 | 140 | L4 | 1995 | 1995 | — |
| 2.4 | 146 | L4 | 1996 | 1998 | Includes Slave Cylinder |
| 2.4 | 146 | L4 | 2000 | 2001 | Includes Slave Cylinder, Sold As Kit Only |
| 2.5 | 153 | L4 | 1977 | 1985 | — |
| 2.5 | 153 | L4 | 1986 | 1986 | — |
| 2.5 | 153 | L4 | 1987 | 1991 | — |
| 3.5 | 214 | L6 | 1964 | 1965 | — |
| 3.8 | 232 | L6 | 1966 | 1967 | — |
| 3.8 | 232 | V6 | 1977 | 1977 | 2BBL; 3 Speed and 5 Speed |
| 3.8 | 232 | V6 | 1978 | 1978 | — |
| 3.8 | 232 | V6 | 1979 | 1979 | — |
| 4.1 | 250 | L6 | 1968 | 1969 | 1 BBL |
| 4.1 | 250 | L6 | 1968 | 1969 | 2 BBL |
| 4.1 | 250 | L6 | 1970 | 1976 | 3 Spd, 1 BBL |
| 4.3 | 262 | V8 | 1975 | 1976 | 3 Spd, 2 BBL |
| 4.9 | 299 | V8 | 1979 | 1979 | — |
| 5.0 | 305 | V8 | 1977 | 1977 | 3 Spd, 2 BBL |
| 5.3 | 323 | V8 | 1963 | 1967 | — |
| 5.7 | 348 | V8 | 1968 | 1969 | 4 BBL |
| 5.7 | 348 | V8 | 1968 | 1977 | 3 Spd, 2 BBL |
| 5.7 | 348 | V8 | 1971 | 1974 | 4 Spd, 2 BBL |

| Kit | Disc (mm) | Disc (in) | Spline Dia | Splines | Master Cyl | Slave Cyl | Clutch Cable | Clutch Fork | New Flywheel |
|---------|-----------|-----------|------------|---------|------------|-----------|--------------|-------------|--------------|
| 04019 | 263 | 10-3/8 | 1-1/8 | 26 | MC315 | SC787 | — | CF133 | FWGM12 |
| 04021 | 265 | 10-1/2 | 1-1/8 | 10 | — | — | — | — | — |
| 04002 | 265 | 10-1/2 | 1-1/8 | 10 | — | — | — | — | FWGM101 |
| 04021 | 265 | 10-1/2 | 1-1/8 | 10 | — | — | — | — | FWGM101 |
| 04079 | 263 | 10-3/8 | 1-1/8 | 26 | — | — | — | — | FWGM101 |
| 04019 | 263 | 10-3/8 | 1-1/8 | 26 | — | — | — | — | FWGM101 |
| 04002 | 265 | 10-1/2 | 1-1/8 | 10 | — | — | — | — | FWGM101 |
| 04002 | 265 | 10-1/2 | 1-1/8 | 10 | — | — | — | CF100 | FWGM101 |
| 04019 | 263 | 10-3/8 | 1-1/8 | 26 | — | — | — | CF100 | FWGM101 |
| 04002 | 265 | 10-1/2 | 1-1/8 | 10 | — | — | — | CF100 | FWGM101 |
| 04021 | 265 | 10-1/2 | 1-1/8 | 10 | — | — | — | CF100 | FWGM101 |
| 04019 | 263 | 10-3/8 | 1-1/8 | 26 | — | — | — | — | — |
| 04173 | 300 | 11-3/4 | 1-1/8 | 26 | MC334 | SC746 | — | — | — |
| 04021 | 265 | 10-1/2 | 1-1/8 | 10 | — | — | — | — | FWGM101 |
| 04021 | 265 | 10-1/2 | 1-1/8 | 10 | — | — | — | — | FWGM101 |
| 04019 | 263 | 10-3/8 | 1-1/8 | 26 | — | — | — | — | FWGM101 |
| 04019 | 263 | 10-3/8 | 1-1/8 | 26 | — | — | — | — | FWGM101 |
| 04020 | 280 | 11 | 1-1/8 | 26 | — | — | — | — | — |
| 04020 | 280 | 11 | 1-1/8 | 26 | — | — | — | — | — |
| <hr/> | | | | | | | | | |
| 04104 | 190 | 7-1/2 | 15/16 | 20 | — | — | — | — | — |
| 04100 | 190 | 7-1/2 | 3/4 | 18 | — | — | — | — | — |
| 04124 | 170 | 6-11/16 | 3/4 | 18 | — | — | — | — | — |
| <hr/> | | | | | | | | | |
| GMK1010 | 225 | 8-7/8 | 15/16 | 14 | — | — | — | — | — |
| GMK1010 | 225 | 8-7/8 | 15/16 | 14 | — | — | — | — | — |
| <hr/> | | | | | | | | | |
| KGM02 | 215 | 8-1/2 | 1 | 14 | MC318 | SC714 | — | — | FWGM10 |
| GMK1000 | 225 | 8-7/8 | 1 | 14 | — | — | — | — | — |
| 04088 | 225 | 8-7/8 | 15/16 | 14 | MC325 | SC715 | — | — | — |
| 04088 | 225 | 8-7/8 | 15/16 | 14 | MC330 | SC715 | — | — | — |
| 04088 | 225 | 8-7/8 | 15/16 | 14 | MC330 | SC715 | — | — | — |
| 04135 | 225 | 8-7/8 | 15/16 | 14 | MC325 | SC715 | — | — | — |
| 04136 | 225 | 8-7/8 | 15/16 | 14 | MC330 | — | — | — | — |
| 04162 | 225 | 8-7/8 | 15/16 | 14 | MC330 | SC715 | — | — | — |
| 04162 | 225 | 8-7/8 | 15/16 | 14 | MC330 | SC715 | — | — | — |
| KGM04 | 225 | 8-7/8 | 1 | 14 | — | — | — | — | — |
| 04005 | 215 | 8-1/2 | 1 | 14 | — | SC714 | — | — | — |
| 04005 | 215 | 8-1/2 | 1 | 14 | MC328 | SC714 | — | — | — |
| 04005 | 215 | 8-1/2 | 1 | 14 | MC317 | SC714 | — | CF134 | — |
| 04003 | 254 | 10 | 1-1/8 | 10 | — | — | — | — | — |
| 04021 | 265 | 10-1/2 | 1-1/8 | 10 | — | — | — | — | — |
| 04062 | 232 | 9-1/8 | 1-1/8 | 10 | — | — | — | — | — |
| 04002 | 265 | 10-1/2 | 1-1/8 | 10 | — | — | — | — | — |
| 04021 | 265 | 10-1/2 | 1-1/8 | 10 | — | — | — | — | — |
| 04003 | 254 | 10 | 1-1/8 | 10 | — | — | — | — | — |
| 04021 | 265 | 10-1/2 | 1-1/8 | 10 | — | — | — | — | — |
| 04003 | 254 | 10 | 1-1/8 | 10 | — | — | — | — | — |
| 04003 | 254 | 10 | 1-1/8 | 10 | — | — | — | — | — |
| 04021 | 265 | 10-1/2 | 1-1/8 | 10 | — | — | — | — | — |
| 04002 | 265 | 10-1/2 | 1-1/8 | 10 | — | — | — | — | FWGM101 |
| 04002 | 265 | 10-1/2 | 1-1/8 | 10 | — | — | — | — | — |
| 04021 | 265 | 10-1/2 | 1-1/8 | 10 | — | — | — | — | FWGM101 |
| 04002 | 265 | 10-1/2 | 1-1/8 | 10 | — | — | — | — | FWGM101 |
| 04079 | 263 | 10-3/8 | 1-1/8 | 26 | — | — | — | — | FWGM101 |

1

| Liter | CC/IN | Cyl | Years | | Application Information |
|-------|-------|-----|-------|------|-------------------------|
| | | | To | From | |

PONTIAC CONT.

GRAND AM, GRAND SAFARI, LA MANS, TEMPEST, VENTURA CONT.

| | | | | | |
|-----|-----|----|------|------|------------------------|
| 5.7 | 348 | V8 | 1975 | 1975 | 3 Spd, 4 BBL 26 SPLINE |
| 5.7 | 348 | V8 | 1975 | 1975 | 4BBL 10 SPLINE |
| 5.7 | 348 | V8 | 1975 | 1976 | 2BBL |
| 5.7 | 348 | V8 | 1975 | 1977 | 3 Spd, 4 BBL |
| 5.7 | 348 | V8 | 1975 | 1977 | 4BBL |
| 6.4 | 391 | V8 | 1964 | 1964 | 2 BBL |
| 6.4 | 391 | V8 | 1964 | 1964 | 4 BBL |
| 6.4 | 391 | V8 | 1965 | 1965 | 10-3/8" Disc |
| 6.4 | 391 | V8 | 1965 | 1965 | 11" Disc |
| 6.6 | 403 | V8 | 1968 | 1972 | 4 Spd, 2 BBL |
| 6.6 | 403 | V8 | 1973 | 1977 | 4 Spd, 4 BBL |
| 6.6 | 403 | V8 | 1975 | 1975 | 3 Speed |
| 6.6 | 403 | V8 | 1976 | 1976 | 2BBL |
| 6.6 | 403 | V8 | 1977 | 1977 | 4 Spd, 4 BBL |
| 7.5 | 458 | V8 | 1970 | 1971 | 3 Spd, 4 BBL |
| 7.5 | 458 | V8 | 1971 | 1973 | 4 Spd |

GTO

| | | | | | |
|-----|-----|----|------|------|----------------------------------|
| 3.5 | 214 | L6 | 1964 | 1964 | — |
| 5.3 | 323 | V8 | 1964 | 1966 | — |
| 5.7 | 348 | V8 | 1970 | 1970 | — |
| 5.7 | 348 | V8 | 2004 | 2004 | Modular Clutch Includes Flywheel |
| 6.0 | 366 | V8 | 2005 | 2006 | 6 Spd, Sold as Kit Only |
| 6.4 | 391 | V8 | 1964 | 1966 | — |
| 6.6 | 403 | V8 | 1967 | 1970 | — |
| 6.6 | 403 | V8 | 1971 | 1971 | 4 Spd, 4 BBL 26 SPLINE |
| 6.6 | 403 | V8 | 1971 | 1973 | 10 SPLINE |
| 6.6 | 403 | V8 | 1972 | 1973 | 26 SPLINE |
| 7.5 | 458 | V8 | 1970 | 1970 | 3 Spd, 4 BBL |
| 7.5 | 458 | V8 | 1971 | 1973 | 4 Spd |

J2000, SUNBIRD, SUNFIRE

| | | | | | |
|-----|-----|----|------|------|---|
| 1.8 | 110 | L4 | 1982 | 1982 | Optional 9-1/8" Disc |
| 1.8 | 110 | L4 | 1982 | 1982 | Standard 8" Disc |
| 1.8 | 110 | L4 | 1983 | 1983 | 4 Spd |
| 1.8 | 110 | L4 | 1983 | 1984 | 5 Spd, Non-Turbo |
| 1.8 | 110 | L4 | 1984 | 1986 | 4 Spd, Turbo |
| 1.8 | 110 | L4 | 1985 | 1986 | 5 Spd, Non-Turbo |
| 1.8 | 110 | L4 | 1986 | 1986 | 5 Spd, Turbo |
| 2.0 | 122 | L4 | 1983 | 1983 | 5 Spd, with Optional 9-1/8" Disc |
| 2.0 | 122 | L4 | 1983 | 1984 | 4 Spd |
| 2.0 | 122 | L4 | 1983 | 1984 | 5 Spd with Standard 8-1/2" Disc |
| 2.0 | 122 | L4 | 1984 | 1986 | 5 Speed, with Optional 9-1/8" Disc |
| 2.0 | 122 | L4 | 1985 | 1985 | 5 Spd with Standard 8-1/2" Disc |
| 2.0 | 122 | L4 | 1985 | 1986 | 4 Spd |
| 2.0 | 122 | L4 | 1987 | 1988 | Non-Turbo |
| 2.0 | 122 | L4 | 1987 | 1988 | Turbo |
| 2.0 | 122 | L4 | 1989 | 1990 | Turbo |
| 2.0 | 122 | L4 | 1989 | 1991 | Non-Turbo |
| 2.0 | 122 | L4 | 1992 | 1994 | — |
| 2.2 | 134 | L4 | 1995 | 1996 | Includes Slave Cylinder |
| 2.2 | 134 | L4 | 1997 | 1999 | Includes Slave Cylinder |
| 2.2 | 134 | L4 | 2000 | 2002 | Includes Slave Cylinder, Sold As Kit Only |
| 2.2 | 134 | L4 | 2002 | 2005 | SFI with VIN F, Includes Slave Cylinder, Sold As Kit Only |
| 2.3 | 140 | L4 | 1976 | 1977 | — |
| 2.3 | 140 | L4 | 1995 | 1995 | Includes Slave Cylinder |
| 2.4 | 146 | L4 | 1996 | 1999 | Includes Slave Cylinder |

| Kit | Disc (mm) | Disc (in) | Spline Dia | Splines | Master Cyl | Slave Cyl | Clutch Cable | Clutch Fork | New Flywheel |
|---------|-----------|-----------|------------|---------|------------|-----------|--------------|-------------|--------------|
| 04019 | 263 | 10-3/8 | 1-1/8 | 26 | — | — | — | — | FWGM101 |
| 04002 | 265 | 10-1/2 | 1-1/8 | 10 | — | — | — | — | FWGM101 |
| 04019 | 263 | 10-3/8 | 1-1/8 | 26 | — | — | — | — | FWGM101 |
| 04019 | 263 | 10-3/8 | 1-1/8 | 26 | — | — | — | — | FWGM101 |
| 04002 | 265 | 10-1/2 | 1-1/8 | 10 | — | — | — | — | FWGM101 |
| 04002 | 265 | 10-1/2 | 1-1/8 | 10 | — | — | — | — | — |
| 04021 | 265 | 10-1/2 | 1-1/8 | 10 | — | — | — | — | — |
| 04002 | 265 | 10-1/2 | 1-1/8 | 10 | — | — | — | — | — |
| 04049 | 280 | 11 | 1-1/8 | 10 | — | — | — | — | — |
| 04021 | 265 | 10-1/2 | 1-1/8 | 10 | — | — | — | — | FWGM101 |
| 04019 | 263 | 10-3/8 | 1-1/8 | 26 | — | — | — | — | FWGM101 |
| 04019 | 263 | 10-3/8 | 1-1/8 | 26 | — | — | — | — | FWGM101 |
| 04019 | 263 | 10-3/8 | 1-1/8 | 26 | — | — | — | — | FWGM101 |
| 04019 | 263 | 10-3/8 | 1-1/8 | 26 | — | — | — | — | FWGM101 |
| 04049 | 280 | 11 | 1-1/8 | 10 | — | — | — | — | — |
| 04020 | 280 | 11 | 1-1/8 | 26 | — | — | — | — | — |
| 04003 | 254 | 10 | 1-1/8 | 10 | — | — | — | — | — |
| 04002 | 265 | 10-1/2 | 1-1/8 | 10 | — | — | — | — | — |
| 04021 | 265 | 10-1/2 | 1-1/8 | 10 | — | — | — | — | FWGM101 |
| GMK1011 | 300 | 11-3/4 | 1-1/8 | 26 | — | — | — | — | — |
| GMK1021 | 295 | 11-11/16 | 1-1/8 | 26 | — | SC923 | — | — | — |
| 04021 | 265 | 10-1/2 | 1-1/8 | 10 | — | — | — | — | — |
| 04021 | 265 | 10-1/2 | 1-1/8 | 10 | — | — | — | — | FWGM101 |
| 04019 | 263 | 10-3/8 | 1-1/8 | 26 | — | — | — | — | FWGM101 |
| 04021 | 265 | 10-1/2 | 1-1/8 | 10 | — | — | — | — | FWGM101 |
| 04019 | 263 | 10-3/8 | 1-1/8 | 26 | — | — | — | — | FWGM101 |
| 04049 | 280 | 11 | 1-1/8 | 10 | — | — | — | — | — |
| 04020 | 280 | 11 | 1-1/8 | 26 | — | — | — | — | — |
| 04077 | 225 | 8-7/8 | 15/16 | 14 | — | — | — | — | — |
| 04004 | 203 | 8 | 1 | 14 | — | — | — | — | — |
| 04094 | 215 | 8-1/2 | 1 | 14 | — | — | — | — | — |
| 04046 | 215 | 8-1/2 | 1 | 14 | — | — | — | — | — |
| KGM01 | 215 | 8-1/2 | 1 | 14 | MC318 | SC714 | — | — | — |
| 04046 | 215 | 8-1/2 | 1 | 14 | MC318 | SC714 | — | — | — |
| KGM03 | 215 | 8-1/2 | 1 | 14 | MC318 | SC714 | — | — | — |
| 04077 | 225 | 8-7/8 | 15/16 | 14 | MC318 | SC714 | — | — | — |
| 04004 | 203 | 8 | 1 | 14 | — | — | — | — | — |
| 04005 | 215 | 8-1/2 | 1 | 14 | — | — | — | — | FWGM10 |
| 04077 | 225 | 8-7/8 | 15/16 | 14 | MC318 | SC714 | — | — | — |
| 04005 | 215 | 8-1/2 | 1 | 14 | — | SC714 | — | — | FWGM10 |
| 04004 | 203 | 8 | 1 | 14 | — | SC714 | — | — | — |
| 04046 | 215 | 8-1/2 | 1 | 14 | MC316 | SC714 | — | — | FWGM10 |
| KGM02 | 215 | 8-1/2 | 1 | 14 | MC318 | SC714 | — | — | FWGM10 |
| KGM02 | 215 | 8-1/2 | 1 | 14 | — | SC714 | — | — | FWGM10 |
| 04046 | 215 | 8-1/2 | 1 | 14 | MC327 | SC714 | — | — | FWGM10 |
| 04046 | 215 | 8-1/2 | 1 | 14 | MC327 | SC714 | — | — | FWGM10 |
| 04161 | 215 | 8-1/2 | 1 | 14 | MC333 | SC715 | — | — | FWGM10 |
| 04161 | 215 | 8-1/2 | 1 | 14 | MC333 | SC715 | — | — | — |
| KGM08 | 215 | 8-1/2 | 1 | 14 | MC333 | — | — | — | — |
| GMK1000 | 225 | 8-7/8 | 1 | 14 | — | — | — | — | — |
| 04002 | 265 | 10-1/2 | 1-1/8 | 10 | — | — | — | — | — |
| 04158 | 225 | 8-7/8 | 15/16 | 14 | MC333 | SC715 | — | — | — |
| 04158 | 225 | 8-7/8 | 15/16 | 14 | MC333 | SC715 | — | — | — |

1

| Liter | CC/IN | Cyl | Years | | Application Information |
|-------|-------|-----|-------|------|-------------------------|
| | | | To | From | |

PONTIAC CONT.

J2000, SUNBIRD, SUNFIRE CONT.

| | | | | | |
|-----|-----|----|------|------|---|
| 2.4 | 146 | L4 | 2000 | 2002 | Includes Slave Cylinder, Sold As Kit Only |
| 2.5 | 153 | L4 | 1977 | 1980 | — |
| 3.1 | 189 | V6 | 1991 | 1992 | — |
| 3.1 | 189 | V6 | 1993 | 1994 | Includes Slave Cylinder |
| 3.8 | 232 | V6 | 1976 | 1978 | — |
| 3.8 | 232 | V6 | 1979 | 1980 | — |

PHOENIX

| | | | | | |
|-----|-----|----|------|------|---|
| 2.5 | 153 | L4 | 1980 | 1984 | — |
| 2.8 | 171 | V6 | 1980 | 1981 | — |
| 2.8 | 171 | V6 | 1982 | 1984 | — |
| 3.8 | 232 | V6 | 1978 | 1978 | — |
| 3.8 | 232 | V6 | 1979 | 1979 | — |
| 5.0 | 305 | V8 | 1978 | 1978 | — |
| 5.0 | 305 | V8 | 1979 | 1979 | — |

SOLSTICE

| | | | | | |
|-----|-----|----|------|------|---|
| 2.4 | 146 | L4 | 2007 | 2009 | Sold as Kit Only, Includes CSC Hydraulic Slave Cylinder |
|-----|-----|----|------|------|---|

T1000

| | | | | | |
|-----|----|----|------|------|---|
| 1.6 | 98 | L4 | 1981 | 1981 | — |
| 1.6 | 98 | L4 | 1982 | 1987 | — |

VIBE

| | | | | | |
|-----|-----|----|------|------|---------------------|
| 1.8 | 110 | L4 | 2003 | 2006 | 5 Speed |
| 1.8 | 110 | L4 | 2003 | 2006 | GT, DOHC with 6 Spd |

PORSCHE

911

| | | | | | |
|-----|------|----|------|------|---|
| 2.0 | 1991 | H6 | 1965 | 1969 | Sold As Kit Only |
| 2.2 | 2195 | H6 | 1970 | 1971 | Sold As Kit Only |
| 2.7 | 2688 | H6 | 1974 | 1974 | Sold As Kit Only |
| 2.7 | 2688 | H6 | 1974 | 1976 | Carrera, S, Sold As Kit Only |
| 3.0 | 2999 | H6 | 1976 | 1977 | Carrera, SC, Turbo, Sold As Kit Only |
| 3.0 | 2999 | H6 | 1978 | 1983 | Carrera, SC, Sold As Kit Only |
| 3.2 | 3163 | H6 | 1984 | 1985 | Carrera, Sold As Kit Only |
| 3.2 | 3163 | H6 | 1987 | 1989 | Carrera, Sold As Kit Only |
| 3.2 | 3163 | H6 | 1989 | 1989 | Speedster, Sold As Kit Only |
| 3.3 | 3294 | H6 | 1987 | 1988 | Turbo with 930 Transmission, Sold As Kit Only |
| 3.3 | 3294 | H6 | 1991 | 1992 | Turbo, Sold As Kit Only |
| 3.6 | 3606 | H6 | 1990 | 1993 | Carrera, Sold As Kit Only |
| 3.6 | 3606 | H6 | 1990 | 1994 | Carrera 4, Sold As Kit Only |
| 3.6 | 3606 | H6 | 1992 | 1994 | Turbo Look, Sold As Kit Only |
| 3.6 | 3606 | H6 | 1993 | 1993 | Carrera 4, Turbo Look, Sold As Kit Only |
| 3.6 | 3606 | H6 | 1993 | 1994 | RS, Sold As Kit Only |
| 3.6 | 3606 | H6 | 1994 | 1994 | Speedster, Sold As Kit Only |
| 3.6 | 3606 | H6 | 1994 | 1994 | Turbo 3.6, Sold As Kit Only |
| 3.6 | 3606 | H6 | 1996 | 1997 | Turbo, Sold As Kit Only |
| 3.6 | 3596 | H6 | 2002 | 2003 | Carrera 4, Sold As Kit Only |
| 3.6 | 3606 | H6 | 2002 | 2003 | 6 Spd Turbo, Sold as Kit Only |
| 3.6 | 3606 | H6 | 2002 | 2005 | Turbo, Sold as Kit Only |
| 3.6 | 3596 | H6 | 2003 | 2003 | Carrera 2, Sold As Kit Only |
| 3.6 | 3606 | H6 | 2004 | 2004 | GT3, Sold As Kit Only |
| 3.6 | 3596 | H6 | 2004 | 2005 | Sold as Kit Only |
| 3.6 | 3606 | H6 | 2005 | 2005 | 6 Spd Turbo, Sold as Kit Only |
| 3.6 | 3596 | H6 | 2007 | 2007 | Turbo, Sold as Kit Only |

912

| | | | | | |
|-----|------|----|------|------|------------------|
| 1.6 | 1582 | H4 | 1965 | 1969 | Sold As Kit Only |
| 2.0 | 1991 | H6 | 1971 | 1971 | Sold As Kit Only |
| 2.0 | 1971 | H4 | 1974 | 1975 | Sold As Kit Only |
| 2.0 | 1967 | H4 | 1976 | 1976 | Sold As Kit Only |

| Kit | Disc (mm) | Disc (in) | Spline Dia | Splines | Master Cyl | Slave Cyl | Clutch Cable | Clutch Fork | New Flywheel |
|---------|-----------|-----------|------------|---------|------------|-----------|--------------|-------------|--------------|
| KGM04 | 225 | 8-7/8 | 1 | 14 | — | — | — | — | — |
| 04062 | 232 | 9-1/8 | 1-1/8 | 10 | — | — | — | — | — |
| 04088 | 225 | 8-7/8 | 15/16 | 14 | MC327 | SC715 | — | — | — |
| 04132 | 225 | 8-7/8 | 15/16 | 14 | MC330 | SC715 | — | — | — |
| 04062 | 232 | 9-1/8 | 1-1/8 | 10 | — | — | — | — | — |
| 04021 | 265 | 10-1/2 | 1-1/8 | 10 | — | — | — | — | — |
| 04077 | 225 | 8-7/8 | 15/16 | 14 | — | — | — | — | — |
| 04077 | 225 | 8-7/8 | 15/16 | 14 | — | — | — | — | — |
| 04077 | 225 | 8-7/8 | 15/16 | 14 | — | — | — | — | FWGM111 |
| 04002 | 265 | 10-1/2 | 1-1/8 | 10 | — | — | — | — | — |
| 04021 | 265 | 10-1/2 | 1-1/8 | 10 | — | — | — | — | — |
| 04002 | 265 | 10-1/2 | 1-1/8 | 10 | — | — | — | — | — |
| 04021 | 265 | 10-1/2 | 1-1/8 | 10 | — | — | — | — | — |
| GMK1032 | 228 | 9 | 1 | 26 | — | — | — | — | — |
| 04057 | 184 | 7-1/4 | 1 | 14 | — | — | — | — | — |
| 04059 | 203 | 8 | 1 | 14 | — | — | — | — | — |
| KTY03 | 210 | 8-1/4 | 1 | 21 | MC524 | SC873 | — | — | — |
| KTY14 | 210 | 8-1/4 | 1 | 21 | MC524 | SC873 | — | — | — |
| KPO02 | 215 | 8-1/2 | 13/16 | 24 | — | — | — | — | — |
| KPO05 | 225 | 8-7/8 | 13/16 | 24 | — | — | — | — | — |
| 20004 | 225 | 8-7/8 | 13/16 | 24 | — | — | — | — | — |
| 20004 | 225 | 8-7/8 | 13/16 | 24 | — | — | — | — | — |
| 20004 | 225 | 8-7/8 | 13/16 | 24 | — | — | — | — | — |
| 20004 | 225 | 8-7/8 | 13/16 | 24 | — | — | — | — | — |
| 20004 | 225 | 8-7/8 | 13/16 | 24 | — | — | — | — | — |
| KPO03 | 240 | 9-1/2 | 1-1/32 | 23 | — | — | — | — | — |
| KPO03 | 240 | 9-1/2 | 1-1/32 | 23 | — | — | — | — | — |
| KPO15 | 240 | 9-1/2 | 1 | 23 | — | — | — | — | — |
| KPO12 | 240 | 9-1/2 | 1-1/32 | 23 | — | — | — | — | — |
| KPO12 | 240 | 9-1/2 | 1-1/32 | 23 | — | — | — | — | — |
| KPO12 | 240 | 9-1/2 | 1-1/32 | 23 | — | — | — | — | — |
| KPO12 | 240 | 9-1/2 | 1-1/32 | 23 | — | — | — | — | — |
| KPO12 | 240 | 9-1/2 | 1-1/32 | 23 | — | — | — | — | — |
| KPO12 | 240 | 9-1/2 | 1-1/32 | 23 | — | — | — | — | — |
| KPO12 | 240 | 9-1/2 | 1-1/32 | 23 | — | — | — | — | — |
| KPO12 | 240 | 9-1/2 | 1-1/32 | 23 | — | — | — | — | — |
| KPO12 | 240 | 9-1/2 | 1-1/32 | 23 | — | — | — | — | — |
| KPO18 | 240 | 9-1/2 | 15/16 | 23 | — | — | — | — | — |
| POK1001 | 240 | 9-7/16 | 1-1/16 | 23 | — | — | — | — | — |
| POK1000 | 240 | 9-7/16 | 1-1/16 | 23 | — | — | — | — | — |
| KPO18 | 240 | 9-1/2 | 15/16 | 23 | — | — | — | — | — |
| KPO12 | 240 | 9-1/2 | 1-1/32 | 23 | — | — | — | — | — |
| POK1003 | 240 | 9-7/16 | 1-1/16 | 23 | — | — | — | — | — |
| POK1001 | 240 | 9-7/16 | 1-1/16 | 23 | — | — | — | — | — |
| POK1002 | 240 | 9-7/16 | 1-1/16 | 23 | — | — | — | — | — |
| KPO04 | 200 | 7-7/8 | 13/16 | 24 | — | — | — | — | — |
| KPO16 | 215 | 8-1/2 | 13/16 | 24 | — | — | — | — | — |
| KPO16 | 215 | 8-1/2 | 13/16 | 24 | — | — | — | — | — |
| KPO16 | 215 | 8-1/2 | 13/16 | 24 | — | — | — | — | — |

1

| Liter | CC/IN | Cyl | Years | | Application Information |
|----------------------|-------|-----|-------|------|--|
| | | | To | From | |
| PORSCHE CONT. | | | | | |
| 924 | | | | | |
| 2.0 | 1983 | L4 | 1977 | 1982 | Sold As Kit Only |
| 2.0 | 1983 | L4 | 1980 | 1982 | Turbo |
| 2.5 | 2475 | L4 | 1987 | 1988 | S, Sold As Kit Only |
| 928 | | | | | |
| 5.0 | 4950 | V8 | 1985 | 1991 | GT, S, S4, Sold As Kit Only |
| 930 | | | | | |
| 3.3 | 3294 | H6 | 1978 | 1979 | Turbo, Sold As Kit Only |
| 944 | | | | | |
| 2.5 | 2475 | L4 | 1983 | 1988 | Sold As Kit Only |
| 2.5 | 2475 | L4 | 1986 | 1989 | Turbo, Sold As Kit Only |
| 2.5 | 2475 | L4 | 1987 | 1988 | S, Sold As Kit Only |
| 2.7 | 2688 | L4 | 1989 | 1989 | Sold As Kit Only |
| 3.0 | 2999 | L4 | 1989 | 1989 | S, Sold As Kit Only |
| 3.0 | 2983 | L4 | 1990 | 1991 | S, Sold As Kit Only |
| BOXSTER | | | | | |
| 3.2 | 3179 | H6 | 2000 | 2006 | Sold As Kit Only |
| RENAULT | | | | | |
| ALLIANCE | | | | | |
| 1.4 | 1397 | L4 | 1983 | 1987 | — |
| ENCORE | | | | | |
| 1.4 | 1397 | L4 | 1984 | 1986 | — |
| FUEGO | | | | | |
| 1.6 | 1565 | L4 | 1982 | 1984 | Turbo |
| 2.2 | 2152 | L4 | 1984 | 1985 | — |
| R17 | | | | | |
| 1.6 | 1647 | L4 | 1972 | 1976 | R1313, R1317, R1318, R1323, R1327, R1328 |
| R18 | | | | | |
| 2.2 | 2152 | L4 | 1984 | 1986 | R18i |
| SAAB | | | | | |
| 9-2X | | | | | |
| 2.0 | 1994 | H4 | 2005 | 2005 | Pull Type |
| 2.5 | 2458 | H4 | 2005 | 2005 | — |
| 2.5 | 2458 | H4 | 2006 | 2006 | Turbo, Sold as Kit Only |
| 2.5 | 2458 | H4 | 2006 | 2006 | Turbo, Sold As Kit Only, Push Type Clutch, Includes FW |
| 9-3 | | | | | |
| 2.0 | 1985 | L4 | 1999 | 2001 | Turbo, Sold As Kit Only |
| 2.3 | 2290 | L4 | 2002 | 2002 | Turbo, Sold As Kit Only, Includes Slave Cylinder |
| 9-5 | | | | | |
| 2.3 | 2290 | L4 | 1999 | 2003 | Turbo, Sold As Kit Only, Includes Slave Cylinder |
| 2.3 | 2290 | L4 | 2004 | 2004 | Sold as Kit Only, Includes Slave Cylinder |
| 3.0 | 2961 | V6 | 2002 | 2002 | Sold as Kit Only, Includes Slave Cylinder |
| 900 | | | | | |
| 2.0 | 1985 | L4 | 1979 | 1990 | — |
| 2.0 | 1985 | L4 | 1979 | 1993 | Turbo |
| 2.0 | 1985 | L4 | 1994 | 1998 | Turbo |
| 2.1 | 2119 | L4 | 1994 | 1994 | Sold As Kit Only |
| 2.3 | 2290 | L4 | 1994 | 1994 | Sold As Kit Only, To eng. #R129242 |
| 2.3 | 2290 | L4 | 1994 | 1999 | Sold As Kit Only |
| 2.5 | 2498 | V6 | 1994 | 1995 | Sold As Kit Only |
| 9000 | | | | | |
| 2.0 | 1985 | L4 | 1986 | 1990 | Turbo |
| 2.0 | 1985 | L4 | 1987 | 1989 | — |
| 2.3 | 2290 | L4 | 1990 | 1993 | — |
| 2.3 | 2290 | L4 | 1991 | 1993 | Turbo |
| 2.3 | 2290 | L4 | 1994 | 1994 | Turbo, Sold As Kit Only |
| 2.3 | 2290 | L4 | 1995 | 1998 | Turbo, Sold As Kit Only |
| 3.0 | 2961 | V6 | 1995 | 1997 | Sold As Kit Only |

| Kit | Disc (mm) | Disc (in) | Spline Dia | Splines | Master Cyl | Slave Cyl | Clutch Cable | Clutch Fork | New Flywheel |
|-----------|-----------|-----------|------------|---------|------------|-----------|--------------|-------------|--------------|
| KPO17 | 215 | 8-1/2 | 13/16 | 24 | — | — | — | — | — |
| 20013 | 225 | 8-7/8 | 1-1/32 | 23 | — | — | — | — | — |
| 20013 | 225 | 8-7/8 | 1-1/32 | 23 | — | — | — | — | — |
| KPO06 | 250 | 9-7/8 | 1-1/32 | 23 | — | — | — | — | — |
| KPO15 | 240 | 9-1/2 | 1 | 23 | — | — | — | — | — |
| 20013 | 225 | 8-7/8 | 1-1/32 | 23 | — | — | — | — | — |
| KPO01 | 240 | 9-1/2 | 1-1/32 | 23 | — | — | — | — | — |
| KPO07 | 225 | 8-7/8 | 1-1/32 | 24 | — | — | — | — | — |
| 20013 | 225 | 8-7/8 | 1-1/32 | 23 | — | — | — | — | — |
| KPO07 | 225 | 8-7/8 | 1-1/32 | 24 | — | — | — | — | — |
| KPO07 | 225 | 8-7/8 | 1-1/32 | 24 | — | — | — | — | — |
| KPO18 | 240 | 9-1/2 | 15/16 | 23 | — | — | — | — | — |
| 14001 | 184 | 7-1/4 | 7/8 | 26 | — | — | — | — | — |
| 14001 | 184 | 7-1/4 | 7/8 | 26 | — | — | — | — | — |
| 14009 | 215 | 8-1/2 | 15/16 | 21 | — | — | — | — | — |
| 14009 | 215 | 8-1/2 | 15/16 | 21 | — | — | — | — | — |
| 14008 | 215 | 8-1/2 | 15/16 | 21 | — | — | — | — | — |
| 14009 | 215 | 8-1/2 | 15/16 | 21 | — | — | — | — | — |
| KSB03 | 228 | 9 | 1 | 23 | — | — | — | — | — |
| KSB04 | 225 | 8-7/8 | 1 | 24 | — | — | — | — | — |
| FJK1001 | 230 | 9-1/16 | 1 | 24 | MC585 | SC919 | — | — | — |
| FJK1001FW | 230 | 9-1/16 | 1 | 24 | MC585 | SC919 | — | — | — |
| SBK1000 | 228 | 9 | 1 | 14 | — | — | — | — | — |
| KSA04 | 228 | 9 | 1 | 14 | — | — | — | — | — |
| KSA04 | 228 | 9 | 1 | 14 | — | — | — | — | — |
| KSA04 | 228 | 9 | 1 | 14 | — | — | — | — | — |
| KSA04 | 228 | 9 | 1 | 14 | — | — | — | — | — |
| 21006 | 215 | 8-7/16 | 3/4 | 17 | MC130 | SC531 | — | — | — |
| 21006 | 215 | 8-7/16 | 3/4 | 17 | MC130 | SC531 | — | — | — |
| 21006 | 228 | 9 | 1 | 14 | — | — | — | — | — |
| 21006 | 228 | 9 | 1 | 14 | — | — | — | — | — |
| KSA01 | 228 | 9 | 1 | 14 | — | — | — | — | — |
| KSA03 | 228 | 9 | 1 | 14 | — | — | — | — | — |
| KSA02 | 228 | 9 | 1 | 14 | — | — | — | — | — |
| 21008 | 228 | 9 | 13/16 | 17 | — | — | — | — | — |
| 21007 | 215 | 8-7/16 | 3/4 | 17 | — | — | — | — | — |
| 21007 | 215 | 8-7/16 | 3/4 | 17 | — | — | — | — | — |
| 21011 | 240 | 9-1/2 | 3/4 | 17 | — | — | — | — | — |
| KSA05 | 228 | 9 | 1 | 14 | — | — | — | — | — |
| KSA05 | 228 | 9 | 1 | 14 | — | — | — | — | — |
| KSA05 | 228 | 9 | 1 | 14 | — | — | — | — | — |

1

| Liter | CC/IN | Cyl | Years | | Application Information |
|--|-------|-----|-------|------|--|
| | | | To | From | |
| SAAB CONT. | | | | | |
| 99 | | | | | |
| 2.0 | 1985 | L4 | 1976 | 1980 | — |
| 2.0 | 1985 | L4 | 1978 | 1978 | Turbo |
| SATURN | | | | | |
| ION | | | | | |
| 2.0 | 122 | L4 | 2004 | 2007 | Supercharged, Includes CSC Hydraulic Slave, Sold as Kit Only |
| 2.2 | 134 | L4 | 2003 | 2007 | Includes CSC Hydraulic Slave Cylinder |
| L SERIES | | | | | |
| 2.2 | 134 | L4 | 2000 | 2003 | — |
| S SERIES | | | | | |
| 1.9 | 116 | L4 | 1991 | 1999 | — |
| 1.9 | 116 | L4 | 2000 | 2002 | — |
| SATURN SUV | | | | | |
| VUE | | | | | |
| 2.2 | 134 | L4 | 2002 | 2007 | — |
| 3.5 | 3474 | V6 | 2002 | 2007 | — |
| SCION | | | | | |
| FR-S | | | | | |
| 2.0 | 1994 | H4 | 2013 | | Sold As Kit Only, Includes Flywheel |
| 2.0 | 1994 | H4 | 2013 | | Sold as Kit Only |
| TC | | | | | |
| 2.4 | 2398 | L4 | 2005 | 2010 | — |
| 2.4 | 2398 | L4 | 2011 | 2012 | Sold as Kit Only, Includes CSC Hydraulic Slave Cylinder |
| XA, XB | | | | | |
| 1.5 | 1497 | L4 | 2004 | 2005 | — |
| 1.5 | 1497 | L4 | 2005 | 2006 | — |
| XB | | | | | |
| 2.4 | 2398 | L4 | 2008 | 2011 | — |
| STERLING | | | | | |
| 825 | | | | | |
| 2.5 | 2494 | V6 | 1987 | 1988 | — |
| SUBARU | | | | | |
| 1600, 1800 | | | | | |
| 1.6 | 1595 | H4 | 1976 | 1980 | — |
| 1.6 | 1595 | H4 | 1981 | 1984 | — |
| 1.8 | 1781 | H4 | 1980 | 1984 | 2 WD |
| 1.8 | 1781 | H4 | 1983 | 1984 | 2 WD , Turbo |
| 1.8 | 1781 | H4 | 1985 | 1989 | 2 WD |
| 1.8 | 1781 | H4 | 1985 | 1989 | 2 WD , Turbo |
| 1.8 | 1781 | H4 | 1985 | 1989 | 4 WD |
| 1.8 | 1781 | H4 | 1985 | 1989 | Turbo, 4WD |
| BAJA | | | | | |
| 1.6 | 1595 | H4 | 1978 | 1980 | — |
| 1.8 | 1781 | H4 | 1980 | 1980 | — |
| 2.5 | 2458 | H4 | 2003 | 2006 | SOHC, Sold As Kit Only |
| 2.5 | 2458 | H4 | 2004 | 2005 | Pull Type, DOHC, Turbo, Sold As Kit Only |
| 2.5 | 2458 | H4 | 2006 | 2006 | Turbo, Solid FW Replacement for OEM Dual Mass FW, Sold as Kit Only |
| BRAT | | | | | |
| 1.8 | 1781 | H4 | 1981 | 1982 | 4WD |
| 1.8 | 1781 | H4 | 1983 | 1987 | 2WD |
| 1.8 | 1781 | H4 | 1984 | 1984 | 2 WD, Turbo |
| BRZ | | | | | |
| 2.0 | 1994 | H4 | 2013 | | Sold As Kit Only, Includes Flywheel |
| 2.0 | 1994 | H4 | 2013 | | Sold as Kit Only |
| IMPREZZA, IMPREZZA OUTBACK, RS, TS, WRX | | | | | |
| 1.8 | 1781 | H4 | 1993 | 1993 | 4 WD |
| 1.8 | 1781 | H4 | 1993 | 1994 | 2 WD |
| 1.8 | 1781 | H4 | 1994 | 1994 | AWD |
| 1.8 | 1781 | H4 | 1995 | 1995 | 2 WD |
| 1.8 | 1781 | H4 | 1995 | 1995 | 4 WD |
| 1.8 | 1781 | H4 | 1996 | 1997 | — |
| 2.0 | 1994 | H4 | 2002 | 2002 | Pull Type, WRX, Turbo, Sold As Kit Only |



| Kit | Disc (mm) | Disc (in) | Spline Dia | Splines | Master Cyl | Slave Cyl | Clutch Cable | Clutch Fork | New Flywheel |
|-----------|-----------|-----------|------------|---------|------------|-----------|--------------|-------------|--------------|
| 21006 | 215 | 8-7/16 | 3/4 | 17 | MC130 | SC531 | — | — | — |
| 21006 | 215 | 8-7/16 | 3/4 | 17 | MC130 | SC531 | — | — | — |
| GMK1016 | 238 | 9-3/8 | 1 | 14 | — | — | — | — | — |
| GMK1017 | 228 | 9 | 1 | 14 | — | — | — | — | — |
| KSN01 | 228 | 9 | 1 | 14 | — | SC717 | — | — | — |
| 04115 | 215 | 8-7/16 | 15/16 | 22 | MC329 | SC717 | — | — | — |
| KSN02 | 215 | 8-7/16 | 15/16 | 22 | MC454 | SC717 | — | — | — |
| KSN03 | 228 | 9 | 1 | 14 | — | — | — | — | — |
| KSN03 | 228 | 9 | 1 | 14 | — | — | — | — | — |
| FJK1003FW | 225 | 8-7/8 | 1 | 24 | — | — | — | — | FWSBL01 |
| FJK1005 | 230 | 9-1/16 | 1 | 24 | — | — | — | — | — |
| TYK1506 | 236 | 9-1/4 | 1-3/16 | 21 | MC524 | SC861 | — | — | — |
| TYK1507 | 236 | 9-1/4 | 1-3/16 | 21 | — | BRG0182 | — | — | — |
| KTY15 | 210 | 8-1/4 | 1 | 21 | MC535 | SC841 | — | — | — |
| KTY15 | 210 | 8-1/4 | 1 | 21 | MC534 | SC841 | — | — | — |
| TYK1506 | 236 | 9-1/4 | 1-3/16 | 21 | — | SC907 | — | — | — |
| 08018 | 225 | 8-7/8 | 1 | 24 | — | — | — | — | — |
| 15002 | 200 | 7-7/8 | 3/4 | 23 | — | — | — | — | — |
| 15001 | 200 | 7-7/8 | 7/8 | 21 | — | — | — | — | — |
| 15001 | 200 | 7-7/8 | 7/8 | 21 | — | — | — | — | — |
| 15001 | 200 | 7-7/8 | 7/8 | 21 | — | — | — | — | — |
| 15001 | 200 | 7-7/8 | 7/8 | 21 | — | — | CC892 | — | — |
| 15001 | 200 | 7-7/8 | 7/8 | 21 | — | — | CC892 | — | — |
| 15008 | 225 | 8-7/8 | 1 | 24 | — | — | CC894 | — | — |
| 15008 | 225 | 8-7/8 | 1 | 24 | — | — | CC894 | — | — |
| 15002 | 200 | 7-7/8 | 3/4 | 23 | — | — | — | — | — |
| 15002 | 200 | 7-7/8 | 3/4 | 23 | — | — | — | — | — |
| KSB04 | 225 | 8-7/8 | 1 | 24 | MC567 | SC919 | — | — | FWSBL02FF |
| KSB03 | 228 | 9 | 1 | 24 | MC586 | SC920 | — | — | — |
| FJK1001FW | 230 | 9-1/16 | 1 | 24 | MC586 | — | — | — | — |
| 15001 | 200 | 7-7/8 | 7/8 | 21 | — | — | — | — | — |
| 15001 | 200 | 7-7/8 | 7/8 | 21 | — | — | — | — | — |
| 15001 | 200 | 7-7/8 | 7/8 | 21 | — | — | — | — | — |
| FJK1003FW | 225 | 8-7/8 | 1 | 24 | — | — | — | — | FWSBL01 |
| FJK1005 | 230 | 9-1/16 | 1 | 24 | — | — | — | — | — |
| 15012 | 215 | 8-1/2 | 1 | 24 | — | — | — | — | — |
| 15014 | 200 | 7-7/8 | 7/8 | 21 | — | — | — | — | — |
| 15014 | 200 | 7-7/8 | 7/8 | 21 | — | — | — | — | — |
| KSB02 | 200 | 7-7/8 | 7/8 | 21 | — | — | — | — | — |
| 15010 | 225 | 8-7/8 | 1 | 24 | — | — | — | — | — |
| 15010 | 225 | 8-7/8 | 1 | 24 | — | — | — | — | — |
| KSB03 | 228 | 9 | 1 | 24 | — | SC918 | — | — | — |

1

| Liter | CC/IN | Cyl | Years | | Application Information |
|-------|-------|-----|-------|------|-------------------------|
| | | | To | From | |

SUBARU CONT.

IMPREZZA, IMPREZZA OUTBACK, RS, TS, WRX CONT.

| | | | | | |
|-----|------|----|------|------|--|
| 2.0 | 1994 | H4 | 2003 | 2005 | Pull Type, WRX, Turbo, Sold As Kit Only |
| 2.2 | 2212 | H4 | 1995 | 2001 | — |
| 2.5 | 2458 | H4 | 1998 | 1998 | — |
| 2.5 | 2458 | H4 | 1999 | 1999 | Sold As Kit Only |
| 2.5 | 2458 | H4 | 2000 | 2002 | Sold As Kit Only |
| 2.5 | 2458 | H4 | 2002 | 2004 | Sold As Kit Only |
| 2.5 | 2458 | H4 | 2004 | 2005 | Pull Type, WRX-STI, Turbo |
| 2.5 | 2458 | H4 | 2005 | 2010 | Non-Turbo, Sold As Kit Only |
| 2.5 | 2458 | H4 | 2006 | 2011 | 6spd WRX Sti, Turbo, Pull Type, Sold as Kit Only |
| 2.5 | 2458 | H4 | 2006 | 2013 | WRX, Turbo, Sold As Kit Only |
| 3.0 | 3000 | H6 | 2001 | 2003 | Sold As Kit Only |

JUSTY

| | | | | | |
|-----|------|----|------|------|--------------|
| 1.2 | 1189 | L3 | 1987 | 1990 | — |
| 1.2 | 1189 | L3 | 1991 | 1991 | From 12/1/90 |
| 1.2 | 1189 | L3 | 1991 | 1991 | To 11/30/90 |
| 1.2 | 1189 | L3 | 1992 | 1994 | — |

LEGACY, LEGACY OUTBACK

| | | | | | |
|-----|------|----|------|------|---|
| 2.2 | 2212 | H4 | 1990 | 1996 | Non-Turbo |
| 2.2 | 2212 | H4 | 1991 | 1991 | Turbo, Pull Type, Sold As Kit Only |
| 2.2 | 2212 | H4 | 1992 | 1994 | Turbo, Pull Type, Sold As Kit Only |
| 2.2 | 2212 | H4 | 1997 | 1999 | Non-Turbo |
| 2.5 | 2458 | H4 | 1996 | 1996 | Sold As Kit Only |
| 2.5 | 2458 | H4 | 1999 | 1999 | Sold As Kit Only |
| 2.5 | 2458 | H4 | 2000 | 2002 | Sold As Kit Only |
| 2.5 | 2458 | H4 | 2003 | 2004 | Sold As Kit Only |
| 2.5 | 2458 | H4 | 2005 | 2005 | Turbo, Solid FW Replacement for OEM Dual Mass FW, Sold as Kit Only, Includes Solid FW |
| 2.5 | 2458 | H4 | 2005 | 2011 | Sold As Kit Only |
| 2.5 | 2458 | H4 | 2006 | 2007 | 5spd Turbo, Solid FW Replacement for OEM Dual Mass FW, Sold as kit only |
| 2.5 | 2458 | H4 | 2007 | 2008 | 6 Spd Turbo, Pull Type, Sold as Kit Only |
| 2.5 | 2458 | H4 | 2008 | 2008 | Turbo, Solid FW Replacement for OEM Dual Mass FW, Sold as kit only |

LOYALE

| | | | | | |
|-----|------|----|------|------|-----------|
| 1.8 | 1781 | H4 | 1990 | 1990 | Turbo |
| 1.8 | 1781 | H4 | 1990 | 1994 | Non-Turbo |

OUTBACK

| | | | | | |
|-----|------|----|------|------|--|
| 2.5 | 2458 | H4 | 2005 | 2006 | Turbo, Solid FW Replacement for OEM Dual Mass FW, Sold as Kit Only |
|-----|------|----|------|------|--|

RX

| | | | | | |
|-----|------|----|------|------|-------|
| 1.8 | 1781 | H4 | 1986 | 1989 | Turbo |
|-----|------|----|------|------|-------|

XT

| | | | | | |
|-----|------|----|------|------|-----------|
| 1.8 | 1781 | H4 | 1985 | 1987 | Turbo |
| 1.8 | 1781 | H4 | 1985 | 1991 | Non-Turbo |

SUBARU SUV

FORESTER

| | | | | | |
|-----|------|----|------|------|--|
| 2.5 | 2458 | H4 | 1998 | 1998 | Non-Turbo, Sold As Kit Only |
| 2.5 | 2458 | H4 | 1999 | 2000 | Non-Turbo, Sold As Kit Only |
| 2.5 | 2458 | H4 | 2001 | 2001 | Non-Turbo, Sold As Kit Only |
| 2.5 | 2458 | H4 | 2002 | 2004 | Non-Turbo, Sold As Kit Only |
| 2.5 | 2458 | H4 | 2004 | 2005 | Turbo, Pull Type, Sold As Kit Only |
| 2.5 | 2458 | H4 | 2005 | 2011 | Non-Turbo, Sold As Kit Only |
| 2.5 | 2458 | H4 | 2006 | 2008 | Turbo, Solid FW Replacement for OEM Dual Mass FW, Sold as Kit Only |

SUZUKI

AERIO/AERIO SX

| | | | | | |
|-----|------|----|------|------|---|
| 2.0 | 2000 | L4 | 2003 | 2003 | — |
| 2.3 | 2290 | L4 | 2004 | 2007 | — |

ESTEEM

| | | | | | |
|-----|------|----|------|------|---|
| 1.6 | 1590 | L4 | 1995 | 2000 | — |
| 1.8 | 1790 | L4 | 1999 | 2002 | — |

| Kit | Disc (mm) | Disc (in) | Spline Dia | Splines | Master Cyl | Slave Cyl | Clutch Cable | Clutch Fork | New Flywheel |
|-----------|-----------|-----------|------------|---------|------------|-----------|--------------|-------------|--------------|
| KSB03 | 228 | 9 | 1 | 24 | — | SC920 | — | — | — |
| 15010 | 225 | 8-7/8 | 1 | 24 | — | — | — | — | FWSBL01 |
| 15015 | 225 | 8-7/8 | 1 | 24 | MC582 | SC847 | — | — | FWSBL01 |
| KSB04 | 225 | 8-7/8 | 1 | 24 | MC567 | SC847 | — | — | — |
| KSB04 | 225 | 8-7/8 | 1 | 24 | MC567 | SC847 | — | — | FWSBL02FF |
| KSB04 | 225 | 8-7/8 | 1 | 24 | MC584 | SC847 | — | — | FWSBL02FF |
| FJK1000 | 240 | 9-1/2 | 1 | 24 | — | — | — | — | — |
| KSB04 | 225 | 8-7/8 | 1 | 24 | MC585 | SC919 | — | — | — |
| FJK1000 | 240 | 9-1/2 | 1 | 24 | — | — | — | — | — |
| FJK1001 | 230 | 9-1/16 | 1 | 24 | — | — | — | — | — |
| KSB04 | 225 | 8-7/8 | 1 | 24 | — | — | — | — | — |
| 15006 | 184 | 7-1/4 | 3/4 | 23 | — | — | — | — | — |
| 15011 | 184 | 7-1/4 | 3/4 | 23 | — | — | — | — | — |
| 15006 | 184 | 7-1/4 | 3/4 | 23 | — | — | — | — | — |
| 15011 | 184 | 7-1/4 | 3/4 | 23 | — | — | — | — | — |
| 15010 | 225 | 8-7/8 | 1 | 24 | — | — | — | — | FWSBL01 |
| KSB01 | 225 | 8-7/8 | 1 | 24 | MC581 | — | — | — | — |
| KSB01 | 225 | 8-7/8 | 1 | 24 | MC581 | SC917 | — | — | — |
| 15010 | 225 | 8-7/8 | 1 | 24 | — | — | — | — | — |
| KSB04 | 225 | 8-7/8 | 1 | 24 | — | — | — | — | — |
| KSB04 | 225 | 8-7/8 | 1 | 24 | MC582 | SC847 | — | — | — |
| KSB04 | 225 | 8-7/8 | 1 | 24 | MC567 | SC847 | — | — | — |
| KSB04 | 225 | 8-7/8 | 1 | 24 | MC567 | SC919 | — | — | — |
| FJK1001FW | 230 | 9-1/16 | 1 | 24 | MC586 | SC921 | — | — | — |
| KSB04 | 225 | 8-7/8 | 1 | 24 | — | SC919 | — | — | — |
| FJK1001FW | 230 | 9-1/16 | 1 | 24 | MC586 | SC921 | — | — | — |
| FJK1002 | 240 | 9-7/16 | 1 | 24 | MC586 | — | — | — | — |
| FJK1001FW | 230 | 9-1/16 | 1 | 24 | — | — | — | — | — |
| 15008 | 225 | 8-7/8 | 1 | 24 | — | — | — | — | — |
| 15001 | 200 | 7-7/8 | 7/8 | 21 | — | — | — | — | — |
| FJK1001FW | 230 | 9-1/16 | 1 | 24 | MC586 | SC921 | — | — | — |
| 15008 | 225 | 8-7/8 | 1 | 24 | — | — | — | — | — |
| 15008 | 225 | 8-7/8 | 1 | 24 | — | — | — | — | — |
| 15001 | 200 | 7-7/8 | 7/8 | 21 | — | — | — | — | — |
| KSB04 | 225 | 8-7/8 | 1 | 24 | MC582 | SC847 | — | — | — |
| KSB04 | 225 | 8-7/8 | 1 | 24 | MC567 | SC847 | — | — | — |
| KSB04 | 225 | 8-7/8 | 1 | 24 | MC567 | SC847 | — | — | FWSBL02FF |
| KSB04 | 225 | 8-7/8 | 1 | 24 | MC585 | SC847 | — | — | FWSBL02FF |
| KSB03 | 228 | 9 | 1 | 24 | — | SC918 | — | — | — |
| KSB04 | 225 | 8-7/8 | 1 | 24 | MC585 | SC919 | — | — | — |
| FJK1001FW | 230 | 9-1/16 | 1 | 24 | — | SC921 | — | — | — |
| SZK1000 | 200 | 7-7/8 | 7/8 | 20 | MC510 | SC869 | — | — | — |
| SZK1001 | 215 | 8-7/16 | 7/8 | 20 | MC510 | SC869 | — | — | — |
| 04100 | 190 | 7-1/2 | 3/4 | 18 | — | — | — | — | — |
| SZK1000 | 200 | 7-7/8 | 7/8 | 20 | MC533 | SC869 | — | — | — |

1

| Liter | CC/IN | Cyl | Years | | Application Information |
|-----------------------------|-------|-----|-------|------|---|
| | | | To | From | |
| SUZUKI CONT. | | | | | |
| <i>FORSA (CANADA)</i> | | | | | |
| 1.0 | 993 | L3 | 1985 | 1988 | Non-Turbo |
| 1.0 | 993 | L3 | 1987 | 1988 | Turbo |
| <i>SX4</i> | | | | | |
| 2.0 | 1995 | L4 | 2007 | 2008 | Sold as Kit Only, Includes CSC Hydraulic Slave Cylinder |
| SUZUKI SUV & VAN | | | | | |
| <i>GRAND VITARA</i> | | | | | |
| 2.5 | 2500 | V6 | 2004 | 2005 | Sold As Kit Only |
| 2.7 | 2700 | V6 | 2004 | 2005 | — |
| <i>SAMURAI, SJ410</i> | | | | | |
| 1.6 | 1590 | L4 | 1985 | 1985 | — |
| 1.3 | 1325 | L4 | 1986 | 1995 | — |
| <i>SIDEKICK</i> | | | | | |
| 1.3 | 1325 | L4 | 1989 | 1989 | — |
| 1.6 | 1590 | L4 | 1989 | 1991 | 2 Door |
| 1.6 | 1590 | L4 | 1991 | 1991 | 4 Door |
| 1.6 | 1590 | L4 | 1992 | 1998 | — |
| 1.8 | 1840 | L4 | 1996 | 1998 | — |
| <i>SJ410 (CANADA)</i> | | | | | |
| 1.0 | 993 | L3 | 1982 | 1984 | — |
| <i>SWIFT</i> | | | | | |
| 1.3 | 1298 | L4 | 1989 | 2001 | — |
| <i>X-90</i> | | | | | |
| 1.6 | 1590 | L4 | 1996 | 1998 | — |
| TOYOTA | | | | | |
| <i>CAMRY</i> | | | | | |
| 1.8 | 1839 | L4 | 1984 | 1986 | Turbo Diesel |
| 2.0 | 1995 | L4 | 1983 | 1985 | — |
| 2.0 | 1974 | L4 | 1986 | 1986 | Turbo Diesel, From 8/86 |
| 2.0 | 1974 | L4 | 1986 | 1986 | Turbo Diesel, To 7/86 |
| 2.0 | 1995 | L4 | 1986 | 1986 | From 8/86 |
| 2.0 | 1995 | L4 | 1986 | 1986 | To 7/86 |
| 2.0 | 1998 | L4 | 1987 | 1989 | — |
| 2.0 | 1998 | L4 | 1988 | 1991 | ALL TRAC |
| 2.0 | 1998 | L4 | 1990 | 1990 | To 4/30/90 |
| 2.0 | 1998 | L4 | 1991 | 1991 | — |
| 2.2 | 2164 | L4 | 1992 | 1996 | — |
| 2.2 | 2164 | L4 | 1997 | 2001 | — |
| 2.4 | 2362 | L4 | 2002 | 2006 | — |
| 2.4 | 2362 | L4 | 2007 | 2009 | Sold as Kit Only |
| 2.5 | 2508 | V6 | 2010 | 2011 | Sold as Kit Only, Includes CSC Hydraulic Slave Cylinder |
| 2.5 | 2508 | V6 | 1988 | 1991 | — |
| 3.0 | 2959 | V6 | 1992 | 1994 | — |
| 3.0 | 2995 | V6 | 1997 | 2001 | — |
| 3.0 | 2995 | V6 | 2004 | 2006 | Sold as Kit Only |
| 3.3 | 3275 | V6 | 2004 | 2006 | Sold as Kit Only |
| 3.5 | 3498 | V6 | 2007 | 2009 | Sold as Kit Only |
| <i>CARINA</i> | | | | | |
| 1.6 | 1588 | L4 | 1972 | 1973 | — |
| <i>CELICA</i> | | | | | |
| 1.6 | 1587 | L4 | 1990 | 1990 | ST |
| 1.6 | 1587 | L4 | 1991 | 1991 | ST, From 6/1/91 |
| 1.6 | 1587 | L4 | 1991 | 1991 | ST, To 5/31/91 |
| 1.6 | 1587 | L4 | 1992 | 1993 | ST |
| 1.8 | 1762 | L4 | 1994 | 1995 | — |
| 1.8 | 1762 | L4 | 1994 | 1997 | ST |
| 1.8 | 1794 | L4 | 2000 | 2005 | GT, GTS |
| 1.9 | 1898 | L4 | 1971 | 1971 | — |

| Kit | Disc (mm) | Disc (in) | Spline Dia | Splines | Master Cyl | Slave Cyl | Clutch Cable | Clutch Fork | New Flywheel |
|---------|-----------|-----------|------------|---------|------------|-----------|--------------|-------------|--------------|
| 04076 | 160 | 6-5/16 | 3/4 | 18 | — | — | — | — | — |
| 04139 | 190 | 7-1/2 | 3/4 | 18 | — | — | — | — | — |
| SZK1003 | 215 | 8-1/2 | 7/8 | 20 | — | — | — | — | — |
| KSZ03 | 225 | 8-7/8 | 1-13/16 | 21 | MC503 | SC870 | — | — | — |
| SZK1002 | 236 | 9-1/4 | 1-3/16 | 21 | MC503 | — | — | — | — |
| 04076 | 160 | 6-5/16 | 3/4 | 18 | — | — | — | — | — |
| 04104 | 190 | 7-1/2 | 15/16 | 20 | — | — | CC414 | — | — |
| 04104 | 190 | 7-1/2 | 15/16 | 20 | — | — | CC809 | — | — |
| 04108 | 200 | 7-7/8 | 7/8 | 20 | — | — | CC809 | — | — |
| 04137 | 215 | 8-7/16 | 7/8 | 20 | — | — | CC809 | — | — |
| 04137 | 215 | 8-7/16 | 7/8 | 20 | — | — | — | — | — |
| 04137 | 215 | 8-7/16 | 7/8 | 20 | MC533 | — | — | — | — |
| KSZ02 | 180 | 7-1/8 | 3/4 | 18 | — | — | — | — | — |
| 04100 | 190 | 7-1/2 | 3/4 | 18 | — | — | — | — | — |
| 04137 | 215 | 8-7/16 | 7/8 | 20 | — | — | — | — | — |
| 16047 | 225 | 8-7/8 | 1-1/8 | 20 | MC246 | SC670 | — | — | — |
| 16047 | 225 | 8-7/8 | 1-1/8 | 20 | MC246 | SC670 | — | — | — |
| 16047 | 225 | 8-7/8 | 1-1/8 | 20 | MC246 | SC670 | — | — | — |
| 16047 | 225 | 8-7/8 | 1-1/8 | 20 | MC246 | SC653 | — | — | — |
| 16047 | 225 | 8-7/8 | 1-1/8 | 20 | MC246 | SC653 | — | — | — |
| 16047 | 225 | 8-7/8 | 1-1/8 | 20 | MC246 | SC670 | — | — | — |
| 16047 | 225 | 8-7/8 | 1-1/8 | 20 | MC246 | SC653 | — | — | — |
| 16082 | 236 | 9-1/4 | 1-3/16 | 21 | MC246 | SC653 | — | — | — |
| 16047 | 225 | 8-7/8 | 1-1/8 | 20 | MC246 | SC653 | — | — | — |
| 16073 | 225 | 8-7/8 | 1-1/8 | 20 | MC248 | SC654 | — | — | — |
| 16073 | 225 | 8-7/8 | 1-1/8 | 20 | MC540 | SC654 | — | — | — |
| 16073 | 225 | 8-7/8 | 1-1/8 | 20 | MC558 | SC653 | — | — | — |
| TYK1506 | 236 | 9-1/4 | 1-3/16 | 21 | MC525 | SC861 | — | — | — |
| TYK1506 | 236 | 9-1/4 | 1-3/16 | 21 | — | SC861 | — | — | — |
| TYK1507 | 236 | 9-1/4 | 1-3/16 | 21 | — | — | — | — | — |
| 16082 | 236 | 9-1/4 | 1-3/16 | 21 | MC246 | SC653 | — | — | — |
| 16062 | 236 | 9-1/4 | 1-3/16 | 21 | MC248 | SC654 | — | — | — |
| 16062 | 236 | 9-1/4 | 1-3/16 | 21 | MC558 | SC661 | — | — | — |
| TYK1506 | 236 | 9-1/4 | 1-3/16 | 21 | — | SC861 | — | — | — |
| TYK1506 | 236 | 9-1/4 | 1-3/16 | 21 | — | SC861 | — | — | — |
| TYK1506 | 236 | 9-1/4 | 1-3/16 | 21 | — | SC861 | — | — | — |
| 16005 | 190 | 7-1/2 | 15/16 | 21 | MC250 | SC655 | — | — | — |
| 16064 | 210 | 8-1/4 | 1 | 21 | MC258 | SC660 | — | — | — |
| KTY03 | 210 | 8-1/4 | 1 | 21 | MC258 | SC660 | — | — | — |
| 16064 | 210 | 8-1/4 | 1 | 21 | MC258 | SC660 | — | — | — |
| KTY03 | 210 | 8-1/4 | 1 | 21 | MC258 | SC660 | — | — | — |
| KTY03 | 210 | 8-1/4 | 1 | 21 | MC258 | SC660 | — | — | — |
| KTY18 | 210 | 8-1/4 | 1 | 21 | MC566 | SC818 | — | — | — |
| KTY14 | 210 | 8-1/4 | 1 | 21 | MC524 | SC856 | — | — | — |
| 16019 | 200 | 7-7/8 | 1-3/16 | 21 | MC471 | SC819 | — | — | — |

1

| Liter | CC/IN | Cyl | Years | | Application Information |
|---------------------|-------|-----|-------|------|---------------------------|
| | | | To | From | |
| TOYOTA CONT. | | | | | |
| <i>CELICA CONT.</i> | | | | | |
| 2.0 | 1968 | L4 | 1972 | 1974 | — |
| 2.0 | 1995 | L4 | 1986 | 1986 | ST |
| 2.0 | 1998 | L4 | 1986 | 1987 | GT,GTS,ST |
| 2.0 | 1998 | L4 | 1988 | 1988 | ALL TRAC Turbo |
| 2.0 | 1998 | L4 | 1989 | 1989 | ALL TRAC Turbo, To 8/89 |
| 2.0 | 1998 | L4 | 1988 | 1989 | GT,ST |
| 2.0 | 1998 | L4 | 1989 | 1989 | ALL TRAC Turbo, From 9/89 |
| 2.0 | 1998 | L4 | 1990 | 1993 | ALL TRAC Turbo |
| 2.2 | 2189 | L4 | 1975 | 1975 | From 10/75 |
| 2.2 | 2189 | L4 | 1975 | 1975 | To 9/75 |
| 2.2 | 2189 | L4 | 1976 | 1976 | — |
| 2.2 | 2189 | L4 | 1977 | 1977 | 6/77 - 7/77 |
| 2.2 | 2189 | L4 | 1977 | 1977 | From 8/77 |
| 2.2 | 2189 | L4 | 1977 | 1977 | To 5/77 |
| 2.2 | 2189 | L4 | 1978 | 1980 | — |
| 2.2 | 2164 | L4 | 1990 | 1990 | GT,GTS From 5/1/90 |
| 2.2 | 2164 | L4 | 1990 | 1990 | GT,GTS To 4/30/90 |
| 2.2 | 2164 | L4 | 1991 | 1993 | GT,GTS |
| 2.2 | 2164 | L4 | 1994 | 1999 | GT |
| 2.4 | 2366 | L4 | 1981 | 1981 | GT,ST From 8/81 |
| 2.4 | 2366 | L4 | 1981 | 1981 | GT,ST To 7/81 |
| 2.4 | 2366 | L4 | 1982 | 1985 | GT,GTS,ST |
| COROLLA | | | | | |
| 1.2 | 1166 | L4 | 1974 | 1974 | From 5/1/74 |
| 1.2 | 1166 | L4 | 1977 | 1979 | — |
| 1.6 | 1588 | L4 | 1971 | 1973 | — |
| 1.6 | 1588 | L4 | 1974 | 1974 | — |
| 1.6 | 1588 | L4 | 1975 | 1976 | — |
| 1.6 | 1588 | L4 | 1977 | 1977 | — |
| 1.6 | 1588 | L4 | 1978 | 1979 | — |
| 1.6 | 1587 | L4 | 1983 | 1983 | RWD, From 8/83 |
| 1.6 | 1587 | L4 | 1983 | 1983 | RWD, To 7/83 |
| 1.6 | 1587 | L4 | 1984 | 1987 | RWD |
| 1.6 | 1587 | L4 | 1984 | 1989 | FWD |
| 1.6 | 1587 | L4 | 1985 | 1987 | RWD, GTS |
| 1.6 | 1587 | L4 | 1987 | 1988 | FWD, FX |
| 1.6 | 1587 | L4 | 1988 | 1988 | ALL TRAC |
| 1.6 | 1587 | L4 | 1988 | 1989 | FWD |
| 1.6 | 1587 | L4 | 1988 | 1991 | RWD, GTS |
| 1.6 | 1587 | L4 | 1988 | 1992 | RWD |
| 1.6 | 1587 | L4 | 1989 | 1989 | ALL TRAC from 8/89 |
| 1.6 | 1587 | L4 | 1989 | 1989 | ALL TRAC to 7/89 |
| 1.6 | 1587 | L4 | 1990 | 1992 | ALL TRAC |
| 1.6 | 1587 | L4 | 1990 | 1992 | FWD |
| 1.6 | 1587 | L4 | 1992 | 1997 | — |
| 1.8 | 1770 | L4 | 1980 | 1982 | 4 Speed |
| 1.8 | 1770 | L4 | 1980 | 1982 | 5 Speed |
| 1.8 | 1770 | L4 | 1981 | 1981 | 5 Spd |
| 1.8 | 1770 | L4 | 1981 | 1982 | 4 Spd,8-1/4" |
| 1.8 | 1770 | L4 | 1981 | 1982 | 5 Spd,7-7/8" |
| 1.8 | 1839 | L4 | 1984 | 1985 | Diesel |
| 1.8 | 1762 | L4 | 1993 | 1993 | 4WD |
| 1.8 | 1762 | L4 | 1993 | 1997 | FWD |
| 1.8 | 1794 | L4 | 1998 | 2001 | FWD |
| 1.8 | 1794 | L4 | 2002 | 2002 | FWD |
| 1.8 | 1794 | L4 | 2003 | 2008 | FWD, Sold As Kit Only |
| 1.8 | 1795 | L4 | 2005 | 2008 | 6 Speed, XRS |
| 2.4 | 2362 | L4 | 2010 | 2011 | 6 Speed, XRS |

| Kit | Disc (mm) | Disc (in) | Spline Dia | Splines | Master Cyl | Slave Cyl | Clutch Cable | Clutch Fork | New Flywheel |
|---------|-----------|-----------|------------|---------|------------|-----------|--------------|-------------|--------------|
| 16007 | 225 | 8-7/8 | 1-3/16 | 21 | MC250 | SC656 | — | — | — |
| 16072 | 225 | 8-7/8 | 1-1/8 | 20 | MC263 | SC653 | — | — | — |
| 16072 | 225 | 8-7/8 | 1-1/8 | 20 | MC263 | SC670 | — | — | — |
| 16082 | 236 | 9-1/4 | 1-3/16 | 21 | MC263 | SC653 | — | — | — |
| 16082 | 236 | 9-1/4 | 1-3/16 | 21 | MC263 | SC653 | — | — | — |
| 16072 | 225 | 8-7/8 | 1-1/8 | 20 | MC263 | SC653 | — | — | — |
| 16082 | 236 | 9-1/4 | 1-3/16 | 21 | MC258 | SC661 | — | — | — |
| KTY11 | 236 | 9-1/4 | 1-3/16 | 21 | MC258 | SC661 | — | — | — |
| 16034 | 225 | 8-7/8 | 1-3/16 | 21 | MC252 | SC658 | — | — | — |
| 16034 | 225 | 8-7/8 | 1-3/16 | 21 | MC250 | SC658 | — | — | — |
| 16034 | 225 | 8-7/8 | 1-3/16 | 21 | MC252 | SC658 | — | — | — |
| 16034 | 225 | 8-7/8 | 1-3/16 | 21 | MC250 | SC658 | — | — | — |
| 16032 | 225 | 8-7/8 | 1-3/16 | 21 | MC254 | SC658 | — | — | — |
| 16034 | 225 | 8-7/8 | 1-3/16 | 21 | MC252 | SC658 | — | — | — |
| 16032 | 225 | 8-7/8 | 1-3/16 | 21 | MC254 | SC659 | — | — | — |
| 16073 | 225 | 8-7/8 | 1-1/8 | 20 | MC258 | SC653 | — | — | — |
| 16072 | 225 | 8-7/8 | 1-1/8 | 20 | MC258 | SC653 | — | — | — |
| 16073 | 225 | 8-7/8 | 1-1/8 | 20 | MC258 | SC653 | — | — | — |
| 16073 | 225 | 8-7/8 | 1-1/8 | 20 | MC566 | SC653 | — | — | — |
| 16084 | 225 | 8-7/8 | 1-3/16 | 21 | MC254 | SC659 | — | — | — |
| 16084 | 225 | 8-7/8 | 1-3/16 | 21 | MC254 | SC659 | — | — | — |
| 16084 | 225 | 8-7/8 | 1-3/16 | 21 | MC256 | SC659 | — | — | — |
| 16004 | 184 | 7-1/4 | 7/8 | 19 | — | SC655 | — | — | — |
| 16004 | 184 | 7-1/4 | 7/8 | 19 | — | — | — | — | — |
| 16005 | 190 | 7-1/2 | 15/16 | 21 | MC261 | SC655 | — | — | — |
| 16005 | 190 | 7-1/2 | 15/16 | 21 | MC261 | SC667 | — | — | — |
| 16005 | 190 | 7-1/2 | 15/16 | 21 | MC250 | SC658 | — | — | — |
| 16005 | 190 | 7-1/2 | 15/16 | 21 | MC471 | SC658 | — | — | — |
| 16066 | 190 | 7-1/2 | 15/16 | 21 | MC471 | SC659 | — | — | — |
| 16042 | 200 | 7-7/8 | 15/16 | 21 | MC263 | SC668 | — | — | — |
| 16013 | 210 | 8-1/4 | 1 | 21 | MC263 | SC668 | — | — | — |
| 16042 | 200 | 7-7/8 | 15/16 | 21 | MC263 | SC668 | — | — | — |
| 16070 | 200 | 7-7/8 | 15/16 | 21 | MC256 | SC669 | — | — | — |
| 16029 | 200 | 7-7/8 | 15/16 | 21 | MC256 | SC669 | — | — | — |
| 16082 | 236 | 9-1/4 | 1-3/16 | 21 | MC256 | SC669 | — | — | — |
| 16065 | 225 | 8-7/8 | 1-3/16 | 21 | MC253 | SC660 | — | — | — |
| 16074 | 210 | 8-1/4 | 1 | 21 | MC251 | SC818 | — | — | — |
| 16074 | 210 | 8-1/4 | 1 | 21 | MC265 | SC660 | — | — | — |
| 16074 | 210 | 8-1/4 | 1 | 21 | MC265 | SC660 | — | — | — |
| 16065 | 225 | 8-7/8 | 1-3/16 | 21 | MC266 | SC660 | — | — | — |
| 16065 | 225 | 8-7/8 | 1-3/16 | 21 | MC253 | SC660 | — | — | — |
| 16065 | 225 | 8-7/8 | 1-3/16 | 21 | MC266 | SC660 | — | — | — |
| 16070 | 200 | 7-7/8 | 15/16 | 21 | MC265 | SC660 | — | — | — |
| KTY03 | 210 | 8-1/4 | 1 | 21 | MC265 | SC660 | — | — | — |
| 16051 | 210 | 8-1/4 | 1 | 21 | MC473 | SC659 | — | — | — |
| 16042 | 200 | 7-7/8 | 15/16 | 21 | MC473 | SC659 | — | — | — |
| 16042 | 200 | 7-7/8 | 15/16 | 21 | MC262 | SC668 | — | — | — |
| 16051 | 210 | 8-1/4 | 1 | 21 | MC262 | SC668 | — | — | — |
| 16042 | 200 | 7-7/8 | 15/16 | 21 | MC262 | SC668 | — | — | — |
| 16054 | 211 | 8-5/16 | 1-3/16 | 20 | MC264 | SC670 | — | — | — |
| KTY14 | 210 | 8-1/4 | 1 | 21 | MC265 | SC818 | — | — | — |
| KTY03 | 210 | 8-1/4 | 1 | 21 | MC265 | SC818 | — | — | — |
| KTY03 | 210 | 8-1/4 | 1 | 21 | MC265 | SC842 | — | — | — |
| KTY03 | 210 | 8-1/4 | 1 | 21 | MC265 | SC842 | — | — | — |
| TYK1501 | 213 | 8-3/8 | 15/16 | 21 | MC524 | SC874 | — | — | — |
| KTY14 | 210 | 8-1/4 | 1 | 21 | MC525 | SC874 | — | — | — |
| TYK1506 | 236 | 9-1/4 | 1-3/16 | 21 | MC573 | SC907 | — | — | — |

1

| Liter | CC/IN | Cyl | Years | | Application Information |
|------------------------|-------|-----|-------|------|-------------------------------------|
| | | | To | From | |
| TOYOTA CONT. | | | | | |
| CORONA | | | | | |
| 1.9 | 1898 | L4 | 1967 | 1970 | — |
| 1.9 | 1898 | L4 | 1967 | 1970 | — |
| 1.9 | 1858 | L4 | 1969 | 1969 | Mark II from 2/69 |
| 1.9 | 1858 | L4 | 1969 | 1971 | Mark II |
| 1.9 | 1858 | L4 | 1970 | 1970 | Mark II to 1/70 |
| 1.9 | 1898 | L4 | 1970 | 1970 | — |
| 1.9 | 1858 | L4 | 1971 | 1971 | — |
| 1.9 | 1858 | L4 | 1971 | 1971 | — |
| 1.9 | 1858 | L4 | 1971 | 1971 | Mark II |
| 2.0 | 1968 | L4 | 1972 | 1972 | — |
| 2.0 | 1968 | L4 | 1972 | 1972 | Mark II |
| 2.0 | 1968 | L4 | 1973 | 1973 | From 8/73 |
| 2.0 | 1968 | L4 | 1973 | 1973 | To 7/73 |
| 2.0 | 1968 | L4 | 1974 | 1974 | — |
| 2.2 | 2189 | L4 | 1975 | 1977 | — |
| 2.2 | 2189 | L4 | 1978 | 1980 | — |
| 2.4 | 2366 | L4 | 1981 | 1982 | — |
| CRESSIDA | | | | | |
| 2.8 | 2754 | L6 | 1983 | 1987 | — |
| CROWN | | | | | |
| 2.3 | 2253 | L6 | 1967 | 1969 | To 1/70 |
| 2.3 | 2253 | L6 | 1970 | 1970 | From 2/70 |
| ECHO | | | | | |
| 1.5 | 1497 | L4 | 2000 | 2005 | — |
| GT86 | | | | | |
| 2.0 | 1994 | H4 | 2013 | | Sold As Kit Only, Includes Flywheel |
| 2.0 | 1994 | H4 | 2013 | | Sold as Kit Only |
| MARK II | | | | | |
| 2.3 | 2253 | L6 | 1972 | 1972 | — |
| 2.6 | 2563 | L6 | 1973 | 1974 | — |
| MATRIX | | | | | |
| 1.8 | 1794 | L4 | 2003 | 2008 | 5 Speed, XR |
| 1.8 | 1795 | L4 | 2003 | 2006 | 6 Speed, XRS |
| 2.4 | 2362 | L4 | 2009 | 2011 | 6 Speed, XRS |
| MR2, MR2 SPYDER | | | | | |
| 1.6 | 1587 | L4 | 1985 | 1985 | — |
| 1.6 | 1587 | L4 | 1986 | 1989 | — |
| 1.6 | 1587 | L4 | 1988 | 1989 | Supercharged |
| 1.8 | 1794 | L4 | 2000 | 2004 | — |
| 2.0 | 1998 | L4 | 1991 | 1991 | Turbo |
| 2.0 | 1998 | L4 | 1992 | 1995 | Turbo |
| 2.2 | 2164 | L4 | 1991 | 1991 | — |
| 2.2 | 2164 | L4 | 1992 | 1995 | — |
| PASEO | | | | | |
| 1.5 | 1497 | L4 | 1992 | 1995 | To 8/95 |
| 1.5 | 1497 | L4 | 1995 | 1999 | From 9/75 |
| SOLARA | | | | | |
| 2.2 | 2164 | L4 | 1999 | 2001 | — |
| 2.4 | 2362 | L4 | 2002 | 2003 | — |
| 2.4 | 2362 | L4 | 2004 | 2006 | — |
| 3.0 | 2995 | V6 | 1999 | 2001 | — |
| 3.0 | 2995 | V6 | 2002 | 2002 | — |
| STARLET | | | | | |
| 1.3 | 1290 | L4 | 1981 | 1982 | — |
| 1.3 | 1290 | L4 | 1983 | 1983 | — |

| Kit | Disc (mm) | Disc (in) | Spline Dia | Splines | Master Cyl | Slave Cyl | Clutch Cable | Clutch Fork | New Flywheel |
|-----------|-----------|-----------|------------|---------|------------|-----------|--------------|-------------|--------------|
| 16003 | 200 | 7-7/8 | 15/16 | 21 | MC271 | SC656 | — | — | — |
| 16030 | 200 | 7-7/8 | 15/16 | 21 | MC269 | SC656 | — | — | — |
| 16003 | 200 | 7-7/8 | 15/16 | 21 | MC271 | SC656 | — | — | — |
| 16003 | 200 | 7-7/8 | 15/16 | 21 | MC269 | SC819 | — | — | — |
| 16003 | 200 | 7-7/8 | 15/16 | 21 | MC271 | SC656 | — | — | — |
| 16019 | 200 | 7-7/8 | 1-3/16 | 21 | MC269 | SC819 | — | — | — |
| 16003 | 200 | 7-7/8 | 15/16 | 21 | MC271 | SC656 | — | — | — |
| 16019 | 200 | 7-7/8 | 1-3/16 | 21 | MC289 | SC656 | — | — | — |
| 16030 | 200 | 7-7/8 | 15/16 | 21 | MC269 | SC656 | — | — | — |
| 16007 | 225 | 8-7/8 | 1-3/16 | 21 | MC270 | SC656 | — | — | — |
| 16034 | 225 | 8-7/8 | 1-3/16 | 21 | MC475 | SC676 | — | — | — |
| 16007 | 225 | 8-7/8 | 1-3/16 | 21 | MC254 | SC656 | — | — | — |
| 16007 | 225 | 8-7/8 | 1-3/16 | 21 | MC270 | SC656 | — | — | — |
| 16007 | 225 | 8-7/8 | 1-3/16 | 21 | MC254 | SC656 | — | — | — |
| 16007 | 225 | 8-7/8 | 1-3/16 | 21 | MC252 | SC657 | — | — | — |
| 16016 | 225 | 8-7/8 | 1-3/16 | 21 | MC254 | SC677 | — | — | — |
| 16084 | 225 | 8-7/8 | 1-3/16 | 21 | MC254 | SC659 | — | — | — |
| 16018 | 236 | 9-1/4 | 1-3/16 | 21 | MC274 | SC666 | — | — | — |
| 16033 | 225 | 8-7/8 | 15/16 | 21 | — | SC676 | — | — | — |
| 16034 | 225 | 8-7/8 | 1-3/16 | 21 | — | SC676 | — | — | — |
| KTY15 | 210 | 8-1/4 | 1 | 21 | MC535 | SC841 | — | — | — |
| FJK1003FW | 225 | 8-7/8 | 1 | 24 | — | — | — | — | FWSBL01 |
| FJK1005 | 230 | 9-1/16 | 1 | 24 | — | — | — | — | — |
| 16034 | 225 | 8-7/8 | 1-3/16 | 21 | — | SC676 | — | — | — |
| 16034 | 225 | 8-7/8 | 1-3/16 | 21 | — | SC676 | — | — | — |
| TYK1501 | 213 | 8-3/8 | 15/16 | 21 | MC524 | SC874 | — | — | — |
| KTY14 | 210 | 8-1/4 | 1 | 21 | MC525 | SC874 | — | — | — |
| TYK1506 | 236 | 9-1/4 | 1-3/16 | 21 | MC573 | SC907 | — | — | — |
| 16029 | 200 | 7-7/8 | 15/16 | 21 | MC289 | SC688 | — | — | — |
| 16064 | 210 | 8-1/4 | 1 | 21 | MC289 | SC688 | — | — | — |
| 16075 | 225 | 8-7/8 | 1-3/16 | 21 | MC289 | SC685 | — | — | — |
| KTY03 | 210 | 8-1/4 | 1 | 21 | — | SC857 | — | — | — |
| 16062 | 236 | 9-1/4 | 1-3/16 | 21 | MC290 | SC690 | — | — | — |
| 16062 | 236 | 9-1/4 | 1-3/16 | 21 | MC290 | SC691 | — | — | — |
| 16073 | 225 | 8-7/8 | 1-1/8 | 20 | — | — | — | — | — |
| 16073 | 225 | 8-7/8 | 1-1/8 | 20 | — | SC691 | — | — | — |
| 16029 | 200 | 7-7/8 | 15/16 | 21 | MC285 | SC684 | — | — | — |
| 16029 | 200 | 7-7/8 | 15/16 | 21 | MC285 | SC685 | — | — | — |
| 16073 | 225 | 8-7/8 | 1-1/8 | 20 | MC558 | SC653 | — | — | — |
| TYK1506 | 236 | 9-1/4 | 1-3/16 | 21 | MC558 | SC861 | — | — | — |
| TYK1506 | 236 | 9-1/4 | 1-3/16 | 21 | MC524 | SC861 | — | — | — |
| 16062 | 236 | 9-1/4 | 1-3/16 | 21 | MC558 | SC661 | — | — | — |
| 16062 | 236 | 9-1/4 | 1-3/16 | 21 | — | SC661 | — | — | — |
| 16004 | 184 | 7-1/4 | 7/8 | 19 | — | — | — | — | — |
| 16037 | 190 | 7-1/2 | 3/4 | 19 | — | — | — | — | — |

1

| Liter | CC/IN | Cyl | Years | | Application Information |
|-------|-------|-----|-------|------|-------------------------|
| | | | To | From | |

TOYOTA CONT.

SUPRA

| | | | | | |
|-----|------|----|------|------|-----------|
| 2.6 | 2563 | L6 | 1979 | 1980 | — |
| 2.8 | 2759 | L6 | 1981 | 1981 | To 7/81 |
| 2.8 | 2754 | L6 | 1982 | 1982 | — |
| 2.8 | 2754 | L6 | 1983 | 1983 | — |
| 2.8 | 2754 | L6 | 1984 | 1985 | — |
| 3.0 | 2954 | L6 | 1986 | 1988 | Non-Turbo |
| 3.0 | 2954 | L6 | 1987 | 1992 | Turbo |
| 3.0 | 2954 | L6 | 1989 | 1993 | Non-Turbo |
| 3.0 | 2997 | L6 | 1990 | 1993 | Turbo |
| 3.0 | 2997 | L6 | 1994 | 1997 | Non-Turbo |
| 3.0 | 2997 | L6 | 1994 | 1998 | Turbo |

TERCEL

| | | | | | |
|-----|------|----|------|------|---------------------------|
| 1.5 | 1452 | L4 | 1980 | 1982 | — |
| 1.5 | 1452 | L4 | 1983 | 1985 | — |
| 1.5 | 1452 | L4 | 1986 | 1988 | — |
| 1.5 | 1456 | L4 | 1987 | 1987 | 4 Spd |
| 1.5 | 1456 | L4 | 1987 | 1988 | 5 Spd |
| 1.5 | 1456 | L4 | 1988 | 1988 | EZ Model |
| 1.5 | 1456 | L4 | 1989 | 1989 | Except EZ Model to 4/89 |
| 1.5 | 1456 | L4 | 1989 | 1990 | Except EZ Model from 5/89 |
| 1.5 | 1456 | L4 | 1990 | 1990 | EZ Model |
| 1.5 | 1456 | L4 | 1990 | 1994 | 5 Spd |
| 1.5 | 1456 | L4 | 1991 | 1994 | 4 Spd |
| 1.5 | 1497 | L4 | 1995 | 1998 | — |

YARIS

| | | | | | |
|-----|------|----|------|------|------------------|
| 1.5 | 1497 | L4 | 2006 | 2006 | Sold as kit only |
| 1.5 | 1497 | L4 | 2007 | 2010 | Sold as kit only |

TOYOTA LIGHT TRUCK, SUV & VAN

4RUNNER

| | | | | | |
|-----|------|----|------|------|-----------------|
| 2.4 | 2366 | L4 | 1984 | 1984 | — |
| 2.4 | 2366 | L4 | 1985 | 1986 | Turbo |
| 2.4 | 2366 | L4 | 1985 | 1988 | Non-Turbo |
| 2.4 | 2366 | L4 | 1987 | 1987 | Turbo from 6/87 |
| 2.4 | 2366 | L4 | 1987 | 1987 | Turbo to 5/87 |
| 2.4 | 2366 | L4 | 1989 | 1995 | 2 WD |
| 2.4 | 2366 | L4 | 1993 | 1995 | 4 WD |
| 2.7 | 2694 | L4 | 1996 | 2000 | — |
| 3.0 | 2959 | V6 | 1988 | 1995 | — |
| 3.4 | 3378 | V6 | 1996 | 2001 | — |

FJ CRUISER

| | | | | | |
|-----|------|----|------|------|------------------|
| 4.0 | 3956 | V6 | 2007 | 2010 | Sold as Kit Only |
|-----|------|----|------|------|------------------|

LAND CRUISER

| | | | | | |
|-----|------|----|------|------|-----------|
| 3.4 | 3431 | L4 | 1981 | 1985 | Diesel |
| 3.9 | 3878 | L6 | 1967 | 1970 | To 6/70 |
| 3.9 | 3878 | L6 | 1971 | 1973 | — |
| 3.9 | 3878 | L6 | 1974 | 1974 | — |
| 4.2 | 4227 | L6 | 1975 | 1979 | — |
| 4.2 | 4227 | L6 | 1980 | 1980 | — |
| 4.2 | 4227 | L6 | 1981 | 1985 | To 5/85 |
| 4.2 | 4227 | L6 | 1985 | 1987 | From 6/85 |

PICKUP

| | | | | | |
|-----|------|----|------|------|-----------|
| 1.9 | 1858 | L4 | 1970 | 1971 | — |
| 2.0 | 1968 | L4 | 1972 | 1972 | To 4/72 |
| 2.0 | 1968 | L4 | 1972 | 1972 | From 5/72 |
| 2.0 | 1968 | L4 | 1973 | 1973 | To 4/73 |
| 2.0 | 1968 | L4 | 1973 | 1973 | From 5/73 |

| Kit | Disc (mm) | Disc (in) | Spline Dia | Splines | Master Cyl | Slave Cyl | Clutch Cable | Clutch Fork | New Flywheel |
|---------|-----------|-----------|------------|---------|------------|-----------|--------------|-------------|--------------|
| 16016 | 225 | 8-7/8 | 1-3/16 | 21 | MC254 | SC665 | — | — | — |
| 16084 | 225 | 8-7/8 | 1-3/16 | 21 | MC254 | SC665 | — | — | — |
| 16018 | 236 | 9-1/4 | 1-3/16 | 21 | MC255 | SC666 | — | — | — |
| 16018 | 236 | 9-1/4 | 1-3/16 | 21 | MC256 | SC666 | — | — | — |
| 16018 | 236 | 9-1/4 | 1-3/16 | 21 | MC255 | SC666 | — | — | — |
| 16018 | 236 | 9-1/4 | 1-3/16 | 21 | MC257 | SC672 | — | — | — |
| 16063 | 240 | 9-1/2 | 1-3/16 | 21 | MC257 | SC673 | — | — | — |
| 16069 | 236 | 9-1/4 | 1-3/16 | 21 | MC257 | SC666 | — | — | — |
| 16063 | 240 | 9-1/2 | 1-3/16 | 21 | MC257 | SC673 | — | — | — |
| 16085 | 236 | 9-1/4 | 1-3/16 | 21 | MC268 | SC674 | — | — | — |
| 16093 | 250 | 9-7/8 | 1-1/4 | 14 | MC268 | SC675 | — | — | — |
| 16009 | 190 | 7-1/2 | 1 | 21 | — | — | — | — | — |
| 16039 | 190 | 7-1/2 | 1 | 21 | — | — | — | — | — |
| 16039 | 190 | 7-1/2 | 1 | 21 | MC283 | SC684 | — | — | — |
| 16064 | 210 | 8-1/4 | 1 | 21 | MC283 | SC684 | — | — | — |
| 16060 | 190 | 7-1/2 | 15/16 | 21 | MC283 | SC684 | — | — | — |
| 16064 | 210 | 8-1/4 | 1 | 21 | MC283 | SC684 | — | — | — |
| 16060 | 190 | 7-1/2 | 15/16 | 21 | MC283 | SC684 | — | — | — |
| 16060 | 190 | 7-1/2 | 15/16 | 21 | MC284 | SC684 | — | — | — |
| 16064 | 210 | 8-1/4 | 1 | 21 | MC284 | SC684 | — | — | — |
| 16060 | 190 | 7-1/2 | 15/16 | 21 | MC285 | SC684 | — | — | — |
| 16070 | 200 | 7-7/8 | 15/16 | 21 | MC285 | SC684 | — | — | — |
| 16070 | 200 | 7-7/8 | 15/16 | 21 | MC285 | SC685 | — | — | — |
| TYK1504 | 210 | 8-1/4 | 1 | 21 | — | — | — | — | — |
| TYK1504 | 210 | 8-1/4 | 1 | 21 | MC572 | SC905 | — | — | — |
| 16084 | 225 | 8-7/8 | 1-3/16 | 21 | MC274 | SC677 | — | — | — |
| 16018 | 236 | 9-1/4 | 1-3/16 | 21 | MC274 | SC680 | — | — | — |
| 16057 | 225 | 8-7/8 | 1-3/16 | 21 | MC274 | SC677 | — | — | — |
| 16069 | 236 | 9-1/4 | 1-3/16 | 21 | MC274 | SC680 | — | — | — |
| 16018 | 236 | 9-1/4 | 1-3/16 | 21 | MC274 | SC680 | — | — | — |
| 16058 | 225 | 8-7/8 | 1-3/16 | 21 | MC272 | SC677 | — | — | — |
| 16069 | 236 | 9-1/4 | 1-3/16 | 21 | MC272 | SC677 | — | — | — |
| 16090 | 250 | 9-7/8 | 1-3/16 | 21 | MC276 | SC683 | — | — | — |
| 16059 | 236 | 9-1/4 | 1-3/16 | 21 | MC272 | SC677 | — | — | — |
| 16087 | 250 | 9-7/8 | 1-3/16 | 21 | MC276 | SC682 | — | — | — |
| TYK1503 | 275 | 10-7/8 | 1-3/16 | 21 | — | — | — | — | — |
| 16040 | 273 | 10-3/4 | 1-3/32 | 10 | — | SC814 | — | — | — |
| 16040 | 273 | 10-3/4 | 1-3/32 | 10 | MC294 | SC698 | — | — | — |
| 16040 | 273 | 10-3/4 | 1-3/32 | 10 | MC490 | SC813 | — | — | — |
| 16040 | 273 | 10-3/4 | 1-3/32 | 10 | MC490 | SC815 | — | — | — |
| 16006 | 273 | 10-3/4 | 1-3/32 | 10 | MC468 | SC815 | — | — | — |
| 16006 | 273 | 10-3/4 | 1-3/32 | 10 | MC297 | SC697 | — | — | — |
| 16006 | 273 | 10-3/4 | 1-3/32 | 10 | MC297 | SC697 | — | — | — |
| 16006 | 273 | 10-3/4 | 1-3/32 | 10 | MC298 | SC699 | — | — | — |
| 16045 | 225 | 8-7/8 | 15/16 | 21 | MC278 | SC819 | — | — | — |
| 16007 | 225 | 8-7/8 | 1-3/16 | 21 | MC278 | SC656 | — | — | — |
| 16007 | 225 | 8-7/8 | 1-3/16 | 21 | MC279 | SC556 | — | — | — |
| 16007 | 225 | 8-7/8 | 1-3/16 | 21 | MC279 | SC656 | — | — | — |
| 16007 | 225 | 8-7/8 | 1-3/16 | 21 | MC279 | SC657 | — | — | — |

1

| Liter | CC/IN | Cyl | Years | | Application Information |
|-------|-------|-----|-------|------|-------------------------|
| | | | To | From | |

TOYOTA LIGHT TRUCK, SUV & VAN CONT.

PICKUP CONT.

| | | | | | |
|-----|------|----|------|------|-------------------|
| 2.0 | 1968 | L4 | 1974 | 1974 | To 7/74 |
| 2.0 | 1968 | L4 | 1974 | 1974 | From 8/74 |
| 2.2 | 2189 | L4 | 1975 | 1975 | — |
| 2.2 | 2189 | L4 | 1976 | 1976 | From 9/76 |
| 2.2 | 2189 | L4 | 1976 | 1976 | To 8/76 |
| 2.2 | 2189 | L4 | 1977 | 1977 | — |
| 2.2 | 2189 | L4 | 1978 | 1978 | From 8/1/78 |
| 2.2 | 2189 | L4 | 1978 | 1978 | To 7/1/78 |
| 2.2 | 2189 | L4 | 1979 | 1980 | — |
| 2.2 | 2188 | L4 | 1981 | 1981 | Diesel, to 3/81 |
| 2.2 | 2188 | L4 | 1982 | 1982 | Diesel, from 9/82 |
| 2.2 | 2188 | L4 | 1983 | 1983 | Diesel |
| 2.2 | 2188 | L4 | 1983 | 1983 | Diesel |
| 2.4 | 2366 | L4 | 1981 | 1986 | — |
| 2.4 | 2446 | L4 | 1984 | 1984 | Diesel |
| 2.4 | 2446 | L4 | 1984 | 1985 | Diesel |
| 2.4 | 2366 | L4 | 1985 | 1985 | Turbo, to 5/87 |
| 2.4 | 2446 | L4 | 1985 | 1985 | Turbo Diesel |
| 2.4 | 2366 | L4 | 1986 | 1986 | Diesel |
| 2.4 | 2366 | L4 | 1986 | 1986 | Diesel |
| 2.4 | 2366 | L4 | 1986 | 1987 | Turbo, to 5/87 |
| 2.4 | 2366 | L4 | 1987 | 1987 | Diesel |
| 2.4 | 2366 | L4 | 1987 | 1987 | Turbo, from 6/87 |
| 2.4 | 2366 | L4 | 1987 | 1988 | Non-Turbo |
| 2.4 | 2366 | L4 | 1988 | 1988 | Turbo, from 6/87 |
| 2.4 | 2366 | L4 | 1989 | 1992 | — |
| 2.4 | 2366 | L4 | 1993 | 1995 | 2 WD |
| 2.4 | 2366 | L4 | 1993 | 1995 | 4 WD |
| 3.0 | 2959 | V6 | 1988 | 1995 | — |

PREVIA VAN

| | | | | | |
|-----|------|----|------|------|---|
| 2.4 | 2438 | L4 | 1991 | 1993 | — |
|-----|------|----|------|------|---|

RAV4

| | | | | | |
|-----|------|----|------|------|---|
| 2.0 | 1998 | L4 | 1996 | 2000 | — |
| 2.0 | 1998 | L4 | 2001 | 2003 | — |
| 2.4 | 2362 | L4 | 2004 | 2005 | — |

T100

| | | | | | |
|-----|------|----|------|------|------|
| 2.7 | 2694 | L4 | 1994 | 1998 | — |
| 3.0 | 2959 | V6 | 1993 | 1994 | 2WD |
| 3.0 | 2959 | V6 | 1993 | 1994 | 4 WD |
| 3.4 | 3378 | V6 | 1995 | 1998 | — |

TACOMA

| | | | | | |
|-----|------|----|------|------|------------------|
| 2.4 | 2438 | L4 | 1995 | 2000 | — |
| 2.4 | 2438 | L4 | 2001 | 2004 | 2 WD |
| 2.4 | 2438 | L4 | 2001 | 2004 | 4 WD |
| 2.7 | 2694 | L4 | 1995 | 2004 | — |
| 2.7 | 2694 | L4 | 2005 | 2007 | Fits 2WD and 4WD |
| 3.4 | 3378 | V6 | 1995 | 2004 | — |
| 4.0 | 3956 | V6 | 2005 | 2008 | Sold as Kit Only |

TUNDRA

| | | | | | |
|-----|------|----|------|------|------------------|
| 3.4 | 3378 | V6 | 2000 | 2004 | — |
| 4.0 | 3956 | V6 | 2005 | 2006 | Sold as Kit Only |

VAN

| | | | | | |
|-----|------|----|------|------|---|
| 2.0 | 1998 | L4 | 1984 | 1985 | — |
| 2.2 | 2237 | L4 | 1986 | 1988 | — |
| 2.2 | 2237 | L4 | 1989 | 1989 | — |

| Kit | Disc (mm) | Disc (in) | Spline Dia | Splines | Master Cyl | Slave Cyl | Clutch Cable | Clutch Fork | New Flywheel |
|---------|-----------|-----------|------------|---------|------------|-----------|--------------|-------------|--------------|
| 16007 | 225 | 8-7/8 | 1-3/16 | 21 | MC279 | SC657 | — | — | — |
| 16007 | 225 | 8-7/8 | 1-3/16 | 21 | MC280 | SC657 | — | — | — |
| 16007 | 225 | 8-7/8 | 1-3/16 | 21 | MC280 | SC657 | — | — | — |
| 16007 | 225 | 8-7/8 | 1-3/16 | 21 | MC281 | SC657 | — | — | — |
| 16007 | 225 | 8-7/8 | 1-3/16 | 21 | MC280 | SC657 | — | — | — |
| 16007 | 225 | 8-7/8 | 1-3/16 | 21 | MC281 | SC657 | — | — | — |
| 16032 | 225 | 8-7/8 | 1-3/16 | 21 | MC274 | SC677 | — | — | — |
| 16007 | 225 | 8-7/8 | 1-3/16 | 21 | MC281 | SC657 | — | — | — |
| 16032 | 225 | 8-7/8 | 1-3/16 | 21 | MC274 | SC677 | — | — | — |
| 16057 | 225 | 8-7/8 | 1-3/16 | 21 | MC274 | SC817 | — | — | — |
| 16057 | 225 | 8-7/8 | 1-3/16 | 21 | MC274 | SC677 | — | — | — |
| 16057 | 225 | 8-7/8 | 1-3/16 | 21 | MC274 | SC677 | — | — | — |
| 16057 | 225 | 8-7/8 | 1-3/16 | 21 | MC481 | SC666 | — | — | — |
| 16057 | 225 | 8-7/8 | 1-3/16 | 21 | MC274 | SC677 | — | — | — |
| 16057 | 225 | 8-7/8 | 1-3/16 | 21 | — | SC686 | — | — | — |
| 16057 | 225 | 8-7/8 | 1-3/16 | 21 | MC274 | SC686 | — | — | — |
| 16018 | 236 | 9-1/4 | 1-3/16 | 21 | — | — | — | — | — |
| 16057 | 225 | 8-7/8 | 1-3/16 | 21 | MC274 | SC677 | — | — | — |
| 16057 | 225 | 8-7/8 | 1-3/16 | 21 | — | SC666 | — | — | — |
| 16057 | 225 | 8-7/8 | 1-3/16 | 21 | MC274 | SC666 | — | — | — |
| 16018 | 236 | 9-1/4 | 1-3/16 | 21 | MC274 | SC677 | — | — | — |
| 16057 | 225 | 8-7/8 | 1-3/16 | 21 | MC481 | SC666 | — | — | — |
| 16069 | 236 | 9-1/4 | 1-3/16 | 21 | MC274 | SC677 | — | — | — |
| 16057 | 225 | 8-7/8 | 1-3/16 | 21 | MC274 | SC677 | — | — | — |
| 16069 | 236 | 9-1/4 | 1-3/16 | 21 | — | — | — | — | — |
| 16058 | 225 | 8-7/8 | 1-3/16 | 21 | MC272 | SC677 | — | — | — |
| 16058 | 225 | 8-7/8 | 1-3/16 | 21 | MC272 | SC677 | — | — | — |
| 16069 | 236 | 9-1/4 | 1-3/16 | 21 | MC272 | SC677 | — | — | FWTY26 |
| 16059 | 236 | 9-1/4 | 1-3/16 | 21 | MC272 | SC677 | — | — | — |
| KTY13 | 236 | 9-1/4 | 1-3/16 | 21 | MC287 | SC687 | — | — | — |
| TYK1502 | 236 | 9-1/4 | 1-3/16 | 21 | MC523 | SC661 | — | — | — |
| TYK1502 | 236 | 9-1/4 | 1-3/16 | 21 | MC521 | SC661 | — | — | — |
| 16082 | 236 | 9-1/4 | 1-3/16 | 21 | MC521 | SC861 | — | — | — |
| 16090 | 250 | 9-7/8 | 1-3/16 | 21 | MC275 | SC681 | — | — | — |
| 16059 | 236 | 9-1/4 | 1-3/16 | 21 | MC275 | SC677 | — | — | — |
| KTY16 | 250 | 9-7/8 | 1-3/16 | 21 | MC275 | SC677 | — | — | — |
| 16087 | 250 | 9-7/8 | 1-3/16 | 21 | MC275 | SC682 | — | — | — |
| KTY13 | 236 | 9-1/4 | 1-3/16 | 21 | MC275 | SC683 | — | — | — |
| KTY13 | 236 | 9-1/4 | 1-3/16 | 21 | MC275 | SC683 | — | — | — |
| 16090 | 250 | 9-7/8 | 1-3/16 | 21 | MC275 | SC683 | — | — | — |
| 16090 | 250 | 9-7/8 | 1-3/16 | 21 | MC275 | SC683 | — | — | — |
| KTY16 | 250 | 9-7/8 | 1-3/16 | 21 | — | SC879 | — | — | — |
| 16087 | 250 | 9-7/8 | 1-3/16 | 21 | MC275 | SC682 | — | — | — |
| TYK1515 | 275 | 10-7/8 | 1-3/16 | 21 | — | SC878 | — | — | — |
| 16087 | 250 | 9-7/8 | 1-3/16 | 21 | MC275 | SC682 | — | — | — |
| TYK1503 | 275 | 10-7/8 | 1-3/16 | 21 | MC530 | SC878 | — | — | — |
| 16046 | 225 | 8-7/8 | 1-3/16 | 21 | MC469 | SC687 | — | — | — |
| 16046 | 225 | 8-7/8 | 1-3/16 | 21 | MC469 | SC687 | — | — | — |
| KTY02 | 225 | 8-7/8 | 1-3/16 | 21 | MC469 | SC677 | — | — | — |

1

| Liter | CC/IN | Cyl | Years | | Application Information |
|--|-------|-----|-------|------|---|
| | | | To | From | |
| TRIUMPH | | | | | |
| <i>GT6</i> | | | | | |
| 2.0 | 1998 | L6 | 1968 | 1973 | Sold As Kit Only |
| <i>SPITFIRE</i> | | | | | |
| 1.5 | 1493 | L4 | 1974 | 1980 | Sold As Kit Only |
| VOLKSWAGEN | | | | | |
| <i>BEETLE (NEW)</i> | | | | | |
| 1.8 | 1781 | L4 | 1999 | 2004 | Turbo, Includes DMF. Cover has 3 bolt sections with 4 bolts per section, Sold As Kit Only |
| 1.8 | 1781 | L4 | 1999 | 2004 | Turbo, Includes Solid FW replacement for OEM Dual Mass FW |
| 1.9 | 1896 | L4 | 1998 | 1998 | Turbo Diesel, LUK Version, Sold As Kit Only |
| 1.9 | 1896 | L4 | 1998 | 1998 | Turbo Diesel, Sachs Version, Sold As Kit Only |
| 1.9 | 1896 | L4 | 1999 | 2000 | Turbo Diesel, LUK Version, Sold As Kit Only |
| 1.9 | 1896 | L4 | 1999 | 2000 | Turbo Diesel, Sachs Version, Sold As Kit Only |
| 1.9 | 1896 | L4 | 2001 | 2003 | Turbo Diesel, LUK Version, Sold As Kit Only |
| 1.9 | 1896 | L4 | 2001 | 2005 | Turbo Diesel, Sachs Version, Sold As Kit Only |
| 2.0 | 1984 | L4 | 1998 | 2005 | Sold As Kit Only |
| 2.5 | 2480 | L5 | 2006 | 2008 | Sold as Kit Only |
| <i>BEETLE, GHIA (TYPE I)</i> | | | | | |
| 1.2 | 1192 | H4 | 1954 | 1966 | Rigid Disc |
| 1.3 | 1285 | H4 | 1966 | 1966 | Rigid Disc |
| 1.5 | 1457 | H4 | 1967 | 1967 | — |
| 1.5 | 1457 | H4 | 1967 | 1969 | — |
| 1.6 | 1584 | H4 | 1970 | 1970 | — |
| 1.6 | 1584 | H4 | 1971 | 1980 | — |
| <i>CABRIO</i> | | | | | |
| 2.0 | 1984 | L4 | 1995 | 1997 | — |
| 2.0 | 1984 | L4 | 1998 | 2002 | — |
| <i>CABRIOLET</i> | | | | | |
| 1.8 | 1780 | L4 | 1985 | 1989 | — |
| 1.8 | 1780 | L4 | 1990 | 1993 | — |
| <i>CORRADO</i> | | | | | |
| 1.8 | 1780 | L4 | 1990 | 1992 | — |
| 2.8 | 2792 | V6 | 1992 | 1992 | VR6 |
| 2.8 | 2792 | V6 | 1993 | 1993 | VR6, From 9/93 |
| 2.8 | 2792 | V6 | 1993 | 1993 | VR6, To 8/93 |
| 2.8 | 2792 | V6 | 1994 | 1995 | VR6 |
| <i>DASHER</i> | | | | | |
| 1.5 | 1471 | L4 | 1974 | 1975 | Gas |
| 1.5 | 1471 | L4 | 1979 | 1980 | Diesel |
| 1.6 | 1588 | L4 | 1976 | 1980 | Gas |
| 1.6 | 1588 | L4 | 1981 | 1981 | Diesel |
| <i>EOS</i> | | | | | |
| 2.0 | 1984 | L4 | 2007 | 2007 | Turbo, Includes Slave Cylinder, Sold as Kit Only |
| <i>FASTBACK, SQUAREBACK (TYPE III)</i> | | | | | |
| 1.6 | 1584 | H4 | 1966 | 1969 | Rigid Disc Option |
| 1.6 | 1584 | H4 | 1966 | 1970 | To 7/31/70 |
| 1.6 | 1584 | H4 | 1970 | 1970 | Rigid Disc Option, From 8/1/70 |
| 1.6 | 1584 | H4 | 1970 | 1970 | To 7/31/70, Rigid Disc Option |
| 1.6 | 1584 | H4 | 1970 | 1973 | From 9/1/70 |
| 1.6 | 1584 | H4 | 1970 | 1973 | Rigid Disc Option, From 8/1/70 |
| 1.6 | 1584 | H4 | 1971 | 1973 | — |
| <i>FOX</i> | | | | | |
| 1.8 | 1780 | L4 | 1987 | 1990 | — |
| 1.8 | 1780 | L4 | 1991 | 1993 | — |

| Kit | Disc (mm) | Disc (in) | Spline Dia | Splines | Master Cyl | Slave Cyl | Clutch Cable | Clutch Fork | New Flywheel |
|----------|-----------|-----------|------------|---------|------------|-----------|--------------|-------------|--------------|
| KMG05 | 215 | 8-1/2 | 1-1/4 | 10 | — | — | — | — | — |
| KMG03 | 184 | 7-1/4 | 7/8 | 20 | — | — | — | — | — |
| VWK1000 | 225 | 8-7/8 | 7/8 | 28 | MC110 | — | — | — | — |
| VWK1000A | 225 | 8-7/8 | 7/8 | 28 | MC110 | — | — | — | — |
| KVW04 | 215 | 8-1/2 | 7/8 | 28 | MC110 | — | — | — | — |
| KVW03 | 228 | 9 | 7/8 | 28 | MC110 | — | — | — | — |
| KVW04 | 215 | 8-1/2 | 7/8 | 28 | MC110 | SC512 | — | — | — |
| KVW03 | 228 | 9 | 7/8 | 28 | MC110 | SC512 | — | — | — |
| KVW04 | 215 | 8-1/2 | 7/8 | 28 | MC110 | — | — | — | — |
| KVW03 | 228 | 9 | 7/8 | 28 | MC110 | — | — | — | — |
| KVW05 | 215 | 8-7/16 | 7/8 | 28 | MC110 | — | — | — | — |
| VWK1004 | 228 | 9 | 7/8 | 28 | MC110 | — | — | — | — |
| 17015 | 184 | 7-1/4 | 13/16 | 24 | — | — | — | — | — |
| 17015 | 184 | 7-1/4 | 13/16 | 24 | — | — | — | — | — |
| 17014 | 200 | 7-7/8 | 13/16 | 24 | — | — | — | — | — |
| 17014 | 200 | 7-7/8 | 13/16 | 24 | — | — | — | — | — |
| 17014 | 200 | 7-7/8 | 13/16 | 24 | — | — | — | — | — |
| 17013 | 200 | 7-7/8 | 13/16 | 24 | — | — | — | — | — |
| 17038 | 210 | 8-1/4 | 7/8 | 28 | MC107 | SC511 | — | — | — |
| 17038 | 210 | 8-1/4 | 7/8 | 28 | — | — | — | — | — |
| 17012 | 210 | 8-1/4 | 13/16 | 24 | — | — | CC953 | — | — |
| 17012 | 210 | 8-1/4 | 13/16 | 24 | — | — | — | — | — |
| 17034 | 228 | 9 | 7/8 | 28 | MC103 | SC900 | — | — | — |
| 17036 | 228 | 9 | 7/8 | 28 | MC103 | SC900 | — | — | — |
| 17036 | 228 | 9 | 7/8 | 28 | MC106 | SC900 | — | — | — |
| 17036 | 228 | 9 | 7/8 | 28 | MC103 | SC900 | — | — | — |
| 17036 | 228 | 9 | 7/8 | 28 | MC106 | SC900 | — | — | — |
| 17002 | 190 | 7-1/2 | 1 | 24 | — | — | — | — | — |
| 17002 | 190 | 7-1/2 | 1 | 24 | — | — | — | — | — |
| 17001 | 200 | 7-7/8 | 13/16 | 24 | — | — | — | — | — |
| 17002 | 190 | 7-1/2 | 1 | 24 | — | — | — | — | — |
| VWK1005 | 240 | 9-7/16 | 15/16 | 23 | — | — | — | — | — |
| 17022 | 200 | 7-7/8 | 13/16 | 24 | — | — | — | — | — |
| 17014 | 200 | 7-7/8 | 13/16 | 24 | — | — | — | — | — |
| 17023 | 200 | 7-7/8 | 13/16 | 24 | — | — | — | — | — |
| 17022 | 200 | 7-7/8 | 13/16 | 24 | — | — | — | — | — |
| 17013 | 200 | 7-7/8 | 13/16 | 24 | — | — | — | — | — |
| 17022 | 200 | 7-7/8 | 13/16 | 24 | — | — | — | — | — |
| 17013 | 200 | 7-7/8 | 13/16 | 24 | — | — | — | — | — |
| 17032 | 210 | 8-1/4 | 13/16 | 24 | — | — | CC971 | — | — |
| 17032 | 210 | 8-1/4 | 13/16 | 24 | — | — | — | — | — |

1

| Liter | CC/IN | Cyl | Years | | Application Information |
|-------|-------|-----|-------|------|-------------------------|
| | | | To | From | |

VOLKSWAGEN CONT.

GOLF

| | | | | | |
|-----|------|----|------|------|---|
| 1.6 | 1588 | L4 | 1985 | 1988 | Diesel to CH # 1GL015951 |
| 1.8 | 1780 | L4 | 1985 | 1992 | — |
| 1.8 | 1780 | L4 | 1987 | 1989 | GTI 16 Valve |
| 1.8 | 1780 | L4 | 1990 | 1992 | GTI 8 Valve |
| 1.8 | 1781 | L4 | 2000 | 2000 | Turbo, Includes DMF. Cover has 3 bolt sections with 4 bolts per section, Sold As Kit Only |
| 1.8 | 1781 | L4 | 2000 | 2000 | Turbo, Includes Solid FW replacement for OEM Dual Mass FW |
| 1.8 | 1781 | L4 | 2001 | 2005 | Turbo, Includes DMF. Cover has 3 bolt sections with 4 bolts per section, Sold As Kit Only |
| 1.8 | 1781 | L4 | 2001 | 2005 | Turbo, Includes Solid FW replacement for OEM Dual Mass FW |
| 1.8 | 1781 | L4 | 2006 | 2006 | Turbo, Includes DMF. Cover has 3 bolt sections with 4 bolts per section, Sold As Kit Only |
| 1.8 | 1781 | L4 | 2006 | 2006 | Turbo, Includes Solid FW replacement for OEM Dual Mass FW |
| 1.9 | 1896 | L4 | 2000 | 2003 | Turbo Diesel, LUK Version, Sold As Kit Only |
| 1.9 | 1896 | L4 | 2000 | 2003 | Turbo Diesel, Sachs Version, Sold As Kit Only |
| 1.9 | 1896 | L4 | 2004 | 2004 | Turbo Diesel, LUK Version, Sold As Kit Only |
| 1.9 | 1896 | L4 | 2004 | 2004 | Turbo Diesel, Sachs Version, Sold As Kit Only |
| 2.0 | 1984 | L4 | 1990 | 1992 | GTI 16 Valve |
| 2.0 | 1984 | L4 | 1993 | 1994 | — |
| 2.0 | 1984 | L4 | 1995 | 1998 | — |
| 2.0 | 1984 | L4 | 1999 | 2003 | Sold As Kit Only |
| 2.0 | 1984 | L4 | 2004 | 2005 | Sold as kit Only, Includes Solid FW |
| 2.0 | 1984 | L4 | 2004 | 2005 | Turbo, Includes DMF. Cover has 3 bolt sections with 4 bolts per section, Sold As Kit Only |
| 2.0 | 1984 | L4 | 2006 | 2006 | Turbo, Sold As Kit Only |
| 2.0 | 1984 | L4 | 2007 | 2007 | Turbo, Includes Slave Cylinder, Sold as Kit Only |
| 2.8 | 2792 | V6 | 1995 | 1998 | GTI VR6 |
| 2.8 | 2792 | V6 | 1999 | 2002 | GTI VR6 |
| 3.2 | 3189 | V6 | 2004 | 2004 | Sold as Kit Only |

GOLF (CANADA)

| | | | | | |
|-----|------|----|------|------|---|
| 1.6 | 1588 | L4 | 1989 | 1989 | Diesel to CH # 1GL015951 |
| 1.6 | 1588 | L4 | 1990 | 1992 | Diesel from Ch # 1GL015951 |
| 1.8 | 1788 | L4 | 1993 | 1993 | To Chassis # 1H-R038 600 |
| 1.8 | 1788 | L4 | 1995 | 1995 | From Chassis # 1H-R-038 601, Sold As Kit Only |
| 1.8 | 1780 | L4 | 1996 | 1997 | From Chassis # 1H-R-038 601, Sold As Kit Only |
| 1.9 | 1896 | L4 | 1996 | 1997 | Turbo Diesel |

JETTA

| | | | | | |
|-----|------|----|------|------|---|
| 1.6 | 1588 | L4 | 1980 | 1980 | — |
| 1.6 | 1588 | L4 | 1981 | 1989 | Diesel to Chassis # 1G-L-015 951 |
| 1.6 | 1588 | L4 | 1983 | 1988 | Turbo Diesel to Chassis # 1G-L-015 951 |
| 1.6 | 1588 | L4 | 1990 | 1992 | Diesel from Chassis # 1G-L-015 952 |
| 1.7 | 1715 | L4 | 1981 | 1984 | — |
| 1.8 | 1780 | L4 | 1984 | 1984 | — |
| 1.8 | 1780 | L4 | 1985 | 1992 | — |
| 1.8 | 1780 | L4 | 1987 | 1989 | GLI 16 Valve |
| 1.8 | 1788 | L4 | 1993 | 1994 | — |
| 1.8 | 1788 | L4 | 1995 | 1995 | From Chassis # 1H-R-0380601, Sold As Kit Only |
| 1.8 | 1781 | L4 | 2000 | 2000 | Turbo, Includes DMF. Cover has 3 bolt sections with 4 bolts per section, Sold As Kit Only |
| 1.8 | 1781 | L4 | 2000 | 2000 | Turbo, Includes Solid FW replacement for OEM Dual Mass FW |
| 1.8 | 1781 | L4 | 2001 | 2004 | Turbo, Includes DMF. Cover has 3 bolt sections with 4 bolts per section, Sold As Kit Only |
| 1.8 | 1781 | L4 | 2001 | 2004 | Turbo, Includes Solid FW replacement for OEM Dual Mass FW |
| 1.9 | 1896 | L4 | 1996 | 1997 | Turbo Diesel |
| 1.9 | 1896 | L4 | 1998 | 1998 | Turbo Diesel, Sachs Version, Sold As Kit Only |
| 1.9 | 1896 | L4 | 1999 | 1999 | Turbo Diesel, LUK Version, Sold As Kit Only |
| 1.9 | 1896 | L4 | 1999 | 1999 | Turbo Diesel, Sachs Version, Sold As Kit Only, Fits DMF |
| 1.9 | 1896 | L4 | 2000 | 2003 | Turbo Diesel, LUK Version, Sold As Kit Only |
| 1.9 | 1896 | L4 | 2004 | 2004 | Turbo Diesel, Sachs Version, Sold As Kit Only, Fits DMF |
| 1.9 | 1896 | L4 | 2005 | 2006 | BRM Engine |

| Kit | Disc (mm) | Disc (in) | Spline Dia | Splines | Master Cyl | Slave Cyl | Clutch Cable | Clutch Fork | New Flywheel |
|----------|-----------|-----------|------------|---------|------------|-----------|--------------|-------------|--------------|
| 17004 | 200 | 7-7/8 | 13/16 | 24 | — | — | — | — | — |
| 17012 | 210 | 8-1/4 | 13/16 | 24 | — | — | CC958 | — | — |
| 17027 | 210 | 8-1/4 | 7/8 | 28 | — | — | CC968 | — | — |
| 17012 | 210 | 8-1/4 | 13/16 | 24 | — | — | CC958 | — | — |
| VWK1000 | 225 | 8-7/8 | 7/8 | 28 | — | — | — | — | — |
| VWK1000A | 225 | 8-7/8 | 7/8 | 28 | — | — | — | — | — |
| VWK1000 | 225 | 8-7/8 | 7/8 | 28 | MC110 | — | — | — | — |
| VWK1000A | 225 | 8-7/8 | 7/8 | 28 | MC110 | — | — | — | — |
| VWK1000 | 225 | 8-7/8 | 7/8 | 28 | — | — | — | — | — |
| VWK1000A | 225 | 8-7/8 | 7/8 | 28 | — | — | — | — | — |
| KVW04 | 215 | 8-1/2 | 7/8 | 28 | — | — | — | — | — |
| KVW03 | 228 | 9 | 7/8 | 28 | — | — | — | — | — |
| KVW04 | 215 | 8-1/2 | 7/8 | 28 | MC110 | — | — | — | — |
| KVW03 | 228 | 9 | 7/8 | 28 | MC110 | — | — | — | — |
| 17027 | 210 | 8-1/4 | 7/8 | 28 | — | — | — | — | — |
| 17027 | 210 | 8-1/4 | 7/8 | 28 | — | — | — | — | — |
| 17038 | 210 | 8-1/4 | 7/8 | 28 | — | — | — | — | — |
| KVW05 | 215 | 8-7/16 | 7/8 | 28 | MC110 | — | — | — | — |
| VWK1000A | 225 | 8-7/8 | 7/8 | 28 | MC110 | — | — | — | — |
| VWK1000 | 225 | 8-7/8 | 7/8 | 28 | MC110 | — | — | — | — |
| KVW05 | 215 | 8-7/16 | 7/8 | 28 | MC110 | — | — | — | — |
| VWK1005 | 240 | 9-7/16 | 15/16 | 23 | — | — | — | — | — |
| 17036 | 228 | 9 | 7/8 | 28 | MC107 | SC900 | — | — | — |
| 17036 | 228 | 9 | 7/8 | 28 | MC109 | SC512 | — | — | — |
| VWK1006 | 240 | 9 7/16 | 15/16 | 23 | MC110 | — | — | — | — |
| 17004 | 200 | 7-7/8 | 13/16 | 24 | — | — | — | — | — |
| 17035 | 200 | 7-7/8 | 13/16 | 24 | — | — | — | — | — |
| 17012 | 210 | 8-1/4 | 13/16 | 24 | — | — | — | — | — |
| KVW01 | 210 | 8-1/4 | 13/16 | 24 | — | — | — | — | — |
| KVW01 | 210 | 8-1/4 | 13/16 | 24 | — | — | — | — | — |
| 17034 | 228 | 9 | 7/8 | 28 | — | SC900 | — | — | — |
| 17004 | 200 | 7-7/8 | 13/16 | 24 | — | — | — | — | — |
| 17004 | 200 | 7-7/8 | 13/16 | 24 | — | — | — | — | — |
| 17004 | 200 | 7-7/8 | 13/16 | 24 | — | — | — | — | — |
| 17035 | 200 | 7-7/8 | 13/16 | 24 | — | — | — | — | — |
| 17004 | 200 | 7-7/8 | 13/16 | 24 | — | — | — | — | — |
| 17012 | 210 | 8-1/4 | 13/16 | 24 | — | — | CC953 | — | — |
| 17012 | 210 | 8-1/4 | 13/16 | 24 | — | — | — | — | — |
| 17027 | 210 | 8-1/4 | 7/8 | 28 | — | — | — | — | — |
| 17012 | 210 | 8-1/4 | 13/16 | 24 | — | — | — | — | — |
| KVW01 | 210 | 8-1/4 | 13/16 | 24 | — | — | — | — | — |
| VWK1000 | 225 | 8-7/8 | 7/8 | 28 | — | — | — | — | — |
| VWK1000A | 225 | 8-7/8 | 7/8 | 28 | — | — | — | — | — |
| VWK1000 | 225 | 8-7/8 | 7/8 | 28 | MC110 | — | — | — | — |
| VWK1000A | 225 | 8-7/8 | 7/8 | 28 | MC110 | — | — | — | — |
| 17034 | 228 | 9 | 7/8 | 28 | — | SC900 | — | — | — |
| KVW03 | 228 | 9 | 7/8 | 28 | — | SC900 | — | — | — |
| KVW04 | 215 | 8-1/2 | 7/8 | 28 | MC110 | SC512 | — | — | — |
| KVW03 | 228 | 9 | 7/8 | 28 | MC110 | SC512 | — | — | — |
| KVW04 | 215 | 8-1/2 | 7/8 | 28 | MC110 | — | — | — | — |
| KVW03 | 228 | 9 | 7/8 | 28 | MC110 | SC512 | — | — | — |
| VWK1004 | 228 | 9 | 7/8 | 28 | — | — | — | — | — |

1

| Liter | CC/IN | Cyl | Years | | Application Information |
|-------|-------|-----|-------|------|-------------------------|
| | | | To | From | |

VOLKSWAGEN CONT.

JETTA CONT.

| | | | | | |
|-----|------|----|------|------|---|
| 2.0 | 1984 | L4 | 1990 | 1993 | 16 Valve |
| 2.0 | 1984 | L4 | 1994 | 1994 | From CH #1H-R-038601 |
| 2.0 | 1984 | L4 | 1994 | 1994 | To CH #1H-R-038600 |
| 2.0 | 1984 | L4 | 1995 | 1998 | — |
| 2.0 | 1984 | L4 | 1999 | 1999 | — |
| 2.0 | 1984 | L4 | 2000 | 2005 | Sold As Kit Only |
| 2.0 | 1984 | L4 | 2006 | 2007 | Turbo, Includes Slave Cylinder, Sold as Kit Only |
| 2.5 | 2480 | L5 | 2005 | 2008 | Sold as Kit Only |
| 2.8 | 2792 | V6 | 1994 | 1998 | AFP Engine |
| 2.8 | 2792 | V6 | 1999 | 1999 | — |
| 2.8 | 2792 | V6 | 1999 | 2002 | AFP Engine |
| 2.8 | 2792 | V6 | 2002 | 2002 | Includes Slave Cylinder, Sold as kit only |
| 2.8 | 2792 | V6 | 2002 | 2004 | Includes Slave Cylinder, Sold as kit only, BDF Engine |

PASSAT

| | | | | | |
|-----|------|----|------|------|--|
| 1.8 | 1781 | L4 | 1998 | 1998 | Turbo |
| 1.8 | 1781 | L4 | 1999 | 2001 | Turbo |
| 1.8 | 1781 | L4 | 2002 | 2005 | Turbo, Sold as Kit Only |
| 1.9 | 1896 | L4 | 1993 | 1994 | Diesel |
| 1.9 | 1896 | L4 | 1996 | 1997 | Turbo Diesel |
| 2.0 | 1984 | L4 | 1990 | 1993 | — |
| 2.0 | 1984 | L4 | 1994 | 1996 | — |
| 2.0 | 1984 | L4 | 2006 | 2007 | Turbo, Includes Slave Cylinder, Sold as Kit Only |
| 2.8 | 2792 | V6 | 1993 | 1993 | — |
| 2.8 | 2792 | V6 | 1994 | 1997 | — |
| 2.8 | 2771 | V6 | 1998 | 2005 | — |
| 4.0 | 3998 | W8 | 2003 | 2004 | Sold as Kit Only |

QUANTUM

| | | | | | |
|-----|------|----|------|------|-------------------|
| 1.6 | 1588 | L4 | 1982 | 1985 | Turbo Diesel |
| 1.7 | 1715 | L4 | 1982 | 1983 | — |
| 1.8 | 1780 | L4 | 1984 | 1985 | — |
| 2.2 | 2144 | L5 | 1983 | 1984 | Cable Release |
| 2.2 | 2226 | L5 | 1985 | 1986 | Cable Release |
| 2.2 | 2226 | L5 | 1985 | 1988 | Hydraulic Release |

RABBIT

| | | | | | |
|-----|------|----|------|------|---------------------------------|
| 1.5 | 1471 | L4 | 1975 | 1975 | Gas |
| 1.5 | 1471 | L4 | 1977 | 1980 | Diesel |
| 1.5 | 1457 | L4 | 1978 | 1980 | Gas |
| 1.6 | 1588 | L4 | 1976 | 1977 | Gas |
| 1.6 | 1588 | L4 | 1980 | 1980 | Gas |
| 1.6 | 1588 | L4 | 1981 | 1984 | Diesel |
| 1.7 | 1715 | L4 | 1981 | 1984 | Gas with Rectangular Headlights |
| 1.7 | 1715 | L4 | 1981 | 1984 | Gas with Round Headlights |
| 1.8 | 1780 | L4 | 1983 | 1983 | GTI, 16 Valve |
| 1.8 | 1780 | L4 | 1983 | 1984 | Gas, 8 Valve |
| 2.5 | 2480 | L5 | 2006 | 2008 | Sold as Kit Only |

SCIROCCO

| | | | | | |
|-----|------|----|------|------|----------|
| 1.5 | 1471 | L4 | 1975 | 1975 | — |
| 1.5 | 1457 | L4 | 1978 | 1978 | — |
| 1.6 | 1588 | L4 | 1976 | 1977 | — |
| 1.6 | 1588 | L4 | 1979 | 1979 | — |
| 1.6 | 1588 | L4 | 1980 | 1980 | — |
| 1.7 | 1715 | L4 | 1981 | 1983 | — |
| 1.8 | 1780 | L4 | 1983 | 1989 | 8 Valve |
| 1.8 | 1780 | L4 | 1987 | 1988 | 16 Valve |

| Kit | Disc (mm) | Disc (in) | Spline Dia | Splines | Master Cyl | Slave Cyl | Clutch Cable | Clutch Fork | New Flywheel |
|---------|-----------|-----------|------------|---------|------------|-----------|--------------|-------------|--------------|
| 17027 | 210 | 8-1/4 | 7/8 | 28 | — | — | — | — | — |
| 17027 | 210 | 8-1/4 | 7/8 | 28 | — | — | — | — | — |
| 17038 | 210 | 8-1/4 | 7/8 | 28 | — | — | — | — | — |
| 17038 | 210 | 8-1/4 | 7/8 | 28 | — | — | — | — | — |
| 17038 | 210 | 8-1/4 | 7/8 | 28 | MC110 | SC512 | — | — | — |
| KVW05 | 215 | 8-7/16 | 7/8 | 28 | MC110 | — | — | — | — |
| VWK1005 | 240 | 9-7/16 | 15/16 | 23 | — | — | — | — | — |
| VWK1004 | 228 | 9 | 7/8 | 28 | — | — | — | — | — |
| 17036 | 228 | 9 | 7/8 | 28 | — | SC900 | — | — | — |
| 17036 | 228 | 9 | 7/8 | 28 | MC110 | SC512 | — | — | — |
| 17036 | 228 | 9 | 7/8 | 28 | MC110 | — | — | — | — |
| VWK1002 | 240 | 9-7/16 | 15/16 | 23 | MC110 | — | — | — | — |
| VWK1002 | 240 | 9-7/16 | 15/16 | 23 | MC110 | — | — | — | — |
| VWK1001 | 228 | 9 | 15/16 | 23 | MC108 | — | — | — | — |
| VWK1001 | 228 | 9 | 15/16 | 23 | — | — | — | — | — |
| VWK1001 | 228 | 9 | 15/16 | 23 | — | — | — | — | — |
| 17034 | 228 | 9 | 7/8 | 28 | MC106 | SC511 | — | — | — |
| 17034 | 228 | 9 | 7/8 | 28 | MC106 | SC511 | — | — | — |
| 17034 | 228 | 9 | 7/8 | 28 | MC103 | SC511 | — | — | — |
| 17034 | 228 | 9 | 7/8 | 28 | MC106 | SC511 | — | — | — |
| VWK1005 | 240 | 9-7/16 | 15/16 | 23 | — | — | — | — | — |
| 17036 | 228 | 9 | 7/8 | 28 | MC103 | SC511 | — | — | — |
| 17036 | 228 | 9 | 7/8 | 28 | MC106 | SC511 | — | — | — |
| AUK1001 | 240 | 9-7/16 | 15/16 | 23 | MC108 | — | — | — | — |
| VWK1007 | 240 | 9 7/16 | 15/16 | 23 | — | — | — | — | — |
| 17001 | 200 | 7-7/8 | 13/16 | 24 | — | — | — | — | — |
| 17001 | 200 | 7-7/8 | 13/16 | 24 | — | — | — | — | — |
| 17031 | 210 | 8-1/4 | 13/16 | 24 | — | — | — | — | — |
| 17030 | 215 | 8-1/2 | 13/16 | 24 | — | — | — | — | — |
| 17030 | 215 | 8-1/2 | 13/16 | 24 | — | — | — | — | — |
| 02011 | 228 | 9 | 13/16 | 24 | MC101 | SC509 | — | — | — |
| 17003 | 190 | 7-1/2 | 13/16 | 24 | — | — | — | — | — |
| 17003 | 190 | 7-1/2 | 13/16 | 24 | — | — | — | — | — |
| 17003 | 190 | 7-1/2 | 13/16 | 24 | — | — | — | — | — |
| 17003 | 190 | 7-1/2 | 13/16 | 24 | — | — | — | — | — |
| 17003 | 190 | 7-1/2 | 13/16 | 24 | — | — | — | — | — |
| 17004 | 200 | 7-7/8 | 13/16 | 24 | — | — | — | — | — |
| 17004 | 200 | 7-7/8 | 13/16 | 24 | — | — | — | — | — |
| 17003 | 190 | 7-1/2 | 13/16 | 24 | — | — | — | — | — |
| 17027 | 210 | 8-1/4 | 7/8 | 28 | — | — | — | — | — |
| 17012 | 210 | 8-1/4 | 13/16 | 24 | — | — | CC953 | — | — |
| VWK1004 | 228 | 9 | 7/8 | 28 | — | — | — | — | — |
| 17003 | 190 | 7-1/2 | 13/16 | 24 | — | — | — | — | — |
| 17003 | 190 | 7-1/2 | 13/16 | 24 | — | — | — | — | — |
| 17003 | 190 | 7-1/2 | 13/16 | 24 | — | — | — | — | — |
| 17003 | 190 | 7-1/2 | 13/16 | 24 | — | — | — | — | — |
| 17004 | 200 | 7-7/8 | 13/16 | 24 | — | — | — | — | — |
| 17003 | 190 | 7-1/2 | 13/16 | 24 | — | — | — | — | — |
| 17012 | 210 | 8-1/4 | 13/16 | 24 | — | — | — | — | — |
| 17027 | 210 | 8-1/4 | 7/8 | 28 | — | — | — | — | — |

1

| Liter | CC/IN | Cyl | Years | | Application Information |
|-------|-------|-----|-------|------|-------------------------|
| | | | To | From | |

VOLKSWAGEN LIGHT TRUCK & VAN

CAMPMOBILE

| | | | | | |
|-----|------|----|------|------|---|
| 1.6 | 1584 | H4 | 1968 | 1970 | — |
| 1.6 | 1584 | H4 | 1971 | 1971 | — |
| 1.7 | 1679 | H4 | 1972 | 1973 | — |
| 1.8 | 1795 | H4 | 1974 | 1974 | — |
| 1.8 | 1795 | H4 | 1975 | 1975 | — |
| 2.0 | 1970 | H4 | 1976 | 1979 | — |

EUROVAN

| | | | | | |
|-----|------|----|------|------|---|
| 2.5 | 2459 | L5 | 1993 | 1995 | — |
|-----|------|----|------|------|---|

EUROVAN (CANADA)

| | | | | | |
|-----|------|----|------|------|--------|
| 2.5 | 2459 | L5 | 1992 | 1995 | — |
| 2.4 | 2370 | L5 | 1996 | 1996 | Diesel |

RABBIT PICKUP

| | | | | | |
|-----|------|----|------|------|--------|
| 1.6 | 1588 | L4 | 1980 | 1980 | Gas |
| 1.6 | 1588 | L4 | 1981 | 1983 | Diesel |
| 1.7 | 1715 | L4 | 1981 | 1983 | — |

THING

| | | | | | |
|-----|------|----|------|------|---|
| 1.6 | 1584 | H4 | 1973 | 1974 | — |
|-----|------|----|------|------|---|

TRANSPORTER

| | | | | | |
|-----|------|----|------|------|---------------------|
| 1.2 | 1192 | H4 | 1954 | 1962 | Rigid Disc |
| 1.2 | 1192 | H4 | 1963 | 1964 | — |
| 1.5 | 1457 | H4 | 1963 | 1967 | — |
| 1.6 | 1584 | H4 | 1968 | 1969 | — |
| 1.6 | 1584 | H4 | 1970 | 1970 | From 9/1-70 |
| 1.6 | 1584 | H4 | 1970 | 1970 | To 8/31/70 |
| 1.6 | 1584 | H4 | 1971 | 1971 | — |
| 1.7 | 1679 | H4 | 1972 | 1973 | — |
| 1.8 | 1795 | H4 | 1974 | 1974 | — |
| 1.8 | 1795 | H4 | 1975 | 1975 | — |
| 1.9 | 1915 | H4 | 1985 | 1985 | Syncro CANADA |
| 1.9 | 1915 | H4 | 1985 | 1985 | Water Cooled CANADA |
| 2.0 | 1970 | H4 | 1976 | 1979 | — |
| 2.1 | 2109 | H4 | 1986 | 1991 | — |
| 2.5 | 2459 | L5 | 1992 | 1993 | CANADA |

VANAGON (TYPE II)

| | | | | | |
|-----|------|----|------|------|--------|
| 1.6 | 1588 | L4 | 1982 | 1985 | Diesel |
| 1.9 | 1915 | H4 | 1983 | 1985 | — |
| 2.0 | 1970 | H4 | 1980 | 1983 | — |
| 2.1 | 2109 | H4 | 1986 | 1991 | — |

VOLVO

122

| | | | | | |
|-----|------|----|------|------|------------------|
| 1.8 | 1780 | L4 | 1962 | 1968 | Sold As Kit Only |
|-----|------|----|------|------|------------------|

140 SERIES

| | | | | | |
|-----|------|----|------|------|------------------|
| 1.8 | 1780 | L4 | 1967 | 1968 | Sold As Kit Only |
| 2.0 | 1990 | L4 | 1969 | 1974 | Sold As Kit Only |

1800

| | | | | | |
|-----|------|----|------|------|------------------|
| 1.8 | 1780 | L4 | 1961 | 1968 | Sold As Kit Only |
| 2.0 | 1990 | L4 | 1969 | 1973 | Sold As Kit Only |

240 SERIES

| | | | | | |
|-----|------|----|------|------|----------------------------|
| 2.0 | 1990 | L4 | 1975 | 1975 | Sold As Kit Only |
| 2.1 | 2127 | L4 | 1976 | 1980 | Sold As Kit Only |
| 2.1 | 2127 | L4 | 1979 | 1980 | — |
| 2.1 | 2127 | L4 | 1981 | 1984 | 8-1/2" Disc |
| 2.1 | 2127 | L4 | 1981 | 1984 | Non-Intercooled Turbo |
| 2.1 | 2127 | L4 | 1981 | 1984 | With 36.5mm Bearing Length |
| 2.1 | 2127 | L4 | 1981 | 1984 | With 43.0mm Bearing Length |

| Kit | Disc (mm) | Disc (in) | Spline Dia | Splines | Master Cyl | Slave Cyl | Clutch Cable | Clutch Fork | New Flywheel |
|-------|-----------|-----------|------------|---------|------------|-----------|--------------|-------------|--------------|
| 17014 | 200 | 7-7/8 | 13/16 | 24 | — | — | — | — | — |
| 17013 | 200 | 7-7/8 | 13/16 | 24 | — | — | — | — | — |
| 17016 | 210 | 8-1/4 | 13/16 | 24 | — | — | — | — | — |
| 17016 | 210 | 8-1/4 | 13/16 | 24 | — | — | — | — | — |
| 17017 | 215 | 8-7/16 | 13/16 | 24 | — | — | — | — | — |
| 17010 | 228 | 9 | 13/16 | 24 | — | — | — | — | — |
| 17036 | 228 | 9 | 7/8 | 28 | MC105 | SC900 | — | — | — |
| 17036 | 228 | 9 | 7/8 | 28 | MC105 | SC900 | — | — | — |
| 17036 | 228 | 9 | 7/8 | 28 | MC105 | SC900 | — | — | — |
| 17004 | 200 | 7-7/8 | 13/16 | 24 | — | — | — | — | — |
| 17004 | 200 | 7-7/8 | 13/16 | 24 | — | — | — | — | — |
| 17004 | 200 | 7-7/8 | 13/16 | 24 | — | — | — | — | — |
| 17013 | 200 | 7-7/8 | 13/16 | 24 | — | — | — | — | — |
| 17015 | 184 | 7-1/4 | 13/16 | 24 | — | — | — | — | — |
| 17014 | 200 | 7-7/8 | 13/16 | 24 | — | — | — | — | — |
| 17014 | 200 | 7-7/8 | 13/16 | 24 | — | — | — | — | — |
| 17014 | 200 | 7-7/8 | 13/16 | 24 | — | — | — | — | — |
| 17013 | 200 | 7-7/8 | 13/16 | 24 | — | — | — | — | — |
| 17014 | 200 | 7-7/8 | 13/16 | 24 | — | — | — | — | — |
| 17013 | 200 | 7-7/8 | 13/16 | 24 | — | — | — | — | — |
| 17016 | 210 | 8-1/4 | 13/16 | 24 | — | — | — | — | — |
| 17016 | 210 | 8-1/4 | 13/16 | 24 | — | — | — | — | — |
| 17017 | 215 | 8-7/16 | 13/16 | 24 | — | — | — | — | — |
| 17017 | 215 | 8-7/16 | 13/16 | 24 | MC133 | SC536 | — | — | — |
| 17010 | 228 | 9 | 13/16 | 24 | MC133 | SC536 | — | — | — |
| 17010 | 228 | 9 | 13/16 | 24 | — | — | — | — | — |
| 17010 | 228 | 9 | 13/16 | 24 | MC133 | SC536 | — | — | — |
| 17034 | 228 | 9 | 7/8 | 28 | — | — | — | — | — |
| 17011 | 215 | 8-1/2 | 13/16 | 24 | MC133 | SC876 | — | — | — |
| 17010 | 228 | 9 | 13/16 | 24 | MC133 | SC876 | — | — | — |
| 17010 | 228 | 9 | 13/16 | 24 | MC133 | SC876 | — | — | — |
| 17010 | 228 | 9 | 13/16 | 24 | MC133 | SC876 | — | — | — |
| KVO01 | 215 | 8-7/16 | 1 | 10 | — | — | — | — | — |
| KVO01 | 215 | 8-7/16 | 1 | 10 | — | — | — | — | — |
| KVO01 | 215 | 8-7/16 | 1 | 10 | — | — | — | — | — |
| KVO01 | 215 | 8-7/16 | 1 | 10 | — | — | — | — | — |
| KVO01 | 215 | 8-7/16 | 1 | 10 | — | — | — | — | — |
| KVO01 | 215 | 8-7/16 | 1 | 10 | — | — | — | — | — |
| 22010 | 215 | 8-1/2 | 1 | 22 | — | — | — | — | — |
| 22004 | 215 | 8-1/2 | 1 | 22 | — | — | — | — | — |
| 22004 | 215 | 8-1/2 | 1 | 22 | — | — | — | — | — |
| 22004 | 215 | 8-1/2 | 1 | 22 | — | — | — | — | — |
| 22018 | 215 | 8-1/2 | 1 | 22 | — | — | — | — | — |

1

| Liter | CC/IN | Cyl | Years | | Application Information |
|-------|-------|-----|-------|------|-------------------------|
| | | | To | From | |

VOLVO CONT.

240 SERIES CONT.

| | | | | | |
|-----|------|----|------|------|------------------------------------|
| 2.1 | 2127 | L4 | 1984 | 1984 | Intercooled Turbo |
| 2.1 | 2127 | L4 | 1985 | 1985 | Intercooled Turbo with 8-1/2" Disc |
| 2.1 | 2127 | L4 | 1985 | 1985 | Intercooled Turbo with 9" Disc |
| 2.3 | 2316 | L4 | 1981 | 1984 | — |
| 2.3 | 2316 | L4 | 1985 | 1986 | — |
| 2.3 | 2316 | L4 | 1987 | 1993 | — |
| 2.4 | 2383 | L6 | 1982 | 1984 | Diesel |

260 SERIES

| | | | | | |
|-----|------|----|------|------|------------------|
| 2.4 | 2383 | L6 | 1980 | 1981 | Diesel |
| 2.7 | 2673 | V6 | 1979 | 1979 | Sold As Kit Only |
| 2.8 | 2849 | V6 | 1980 | 1982 | Sold As Kit Only |

740

| | | | | | |
|-----|------|----|------|------|---------------------|
| 2.3 | 2316 | L4 | 1985 | 1989 | 4 Spd, Non-Turbo |
| 2.3 | 2316 | L4 | 1985 | 1990 | 5 Spd, Non-Turbo |
| 2.3 | 2316 | L4 | 1985 | 1992 | Turbo with 9" Disc |
| 2.3 | 2316 | L4 | 1990 | 1990 | 16 Valve, Non-Turbo |
| 2.4 | 2383 | L6 | 1985 | 1985 | Turbo Diesel |
| 2.4 | 2377 | L6 | 1986 | 1986 | Turbo Diesel |

760

| | | | | | |
|-----|------|----|------|------|-------|
| 2.3 | 2316 | L4 | 1985 | 1986 | Turbo |
| 2.8 | 2849 | V6 | 1985 | 1986 | — |

C70

| | | | | | |
|-----|------|----|------|------|--|
| 2.3 | 2319 | L5 | 2003 | 2003 | Turbo, Sold as Kit Only, Includes CSC Hydraulic Slave Cylinder |
|-----|------|----|------|------|--|

S60

| | | | | | |
|-----|------|----|------|------|--|
| 2.3 | 2319 | L5 | 2002 | 2004 | Turbo, Sold as Kit Only, Includes CSC Hydraulic Slave Cylinder |
| 2.4 | 2435 | L5 | 2002 | 2003 | Turbo, Sold as Kit Only, Includes CSC Hydraulic Slave Cylinder |

V70

| | | | | | |
|-----|------|----|------|------|---|
| 2.3 | 2319 | L5 | 2001 | 2004 | Turbo, From Chassis # 395002, Sold as Kit Only, Includes CSC Hydraulic Slave Cylinder |
| 2.4 | 2435 | L5 | 2002 | 2003 | Turbo, Sold as Kit Only, Includes CSC Hydraulic Slave Cylinder |

| Kit | Disc (mm) | Disc (in) | Spline Dia | Splines | Master Cyl | Slave Cyl | Clutch Cable | Clutch Fork | New Flywheel |
|---------|-----------|-----------|------------|---------|------------|-----------|--------------|-------------|--------------|
| 22019 | 228 | 9 | 1 | 22 | — | — | — | — | — |
| 22010 | 215 | 8-1/2 | 1 | 22 | — | — | — | — | — |
| 22020 | 228 | 9 | 1 | 22 | — | — | — | — | — |
| 22004 | 215 | 8-1/2 | 1 | 22 | — | — | — | — | — |
| 22010 | 215 | 8-1/2 | 1 | 22 | — | — | — | — | — |
| 22021 | 228 | 9 | 1 | 22 | — | — | — | — | — |
| 22015 | 228 | 9 | 1 | 22 | — | — | — | — | — |
| 22007 | 228 | 9 | 1 | 22 | — | — | — | — | — |
| KVO03 | 230 | 9-1/16 | 1 | 22 | — | — | — | — | — |
| KVO03 | 230 | 9-1/16 | 1 | 22 | — | — | — | — | — |
| 22010 | 215 | 8-1/2 | 1 | 22 | — | — | — | — | — |
| 22021 | 228 | 9 | 1 | 22 | — | — | — | — | — |
| 22023 | 228 | 9 | 1 | 22 | — | SC890 | — | — | — |
| 22023 | 228 | 9 | 1 | 22 | — | — | — | — | — |
| 22015 | 228 | 9 | 1 | 22 | — | SC890 | — | — | — |
| 22015 | 228 | 9 | 1 | 22 | — | SC890 | — | — | — |
| 22023 | 228 | 9 | 1 | 22 | — | SC890 | — | — | — |
| 22015 | 228 | 9 | 1 | 22 | — | — | — | — | — |
| VLK1003 | 240 | 9-7/16 | 1 | 23 | — | — | — | — | — |
| VLK1003 | 240 | 9-7/16 | 1 | 23 | — | — | — | — | — |
| VLK1003 | 240 | 9-7/16 | 1 | 23 | — | — | — | — | — |
| VLK1003 | 240 | 9-7/16 | 1 | 23 | — | — | — | — | — |
| VLK1003 | 240 | 9-7/16 | 1 | 23 | — | — | — | — | — |
| VLK1003 | 240 | 9-7/16 | 1 | 23 | — | — | — | — | — |

1



SECTION 2

MEDIUM DUTY TRUCK
APPLICATIONS GUIDE



| Liter | cc / in | Cyl | Years | Application Information | Engine Number | Kit |
|-------------------------------|---------|-----|---------|--|---------------|---------|
| CHEVROLET MEDIUM TRUCK | | | | | | |
| <i>C40, 50, 60, 70</i> | | | | | | |
| 3.5L | 212 | 4 | 1967-63 | 4-53 Detroit Diesel with Diaph Clutch | | 04106 |
| 3.5L | 212 | 4 | 1967-63 | 4-53 Detroit Diesel with Diaph Clutch with Ceramic Button | | 04107 |
| 3.5L | 212 | 4 | 1967-63 | 4-53 Detroit Diesel with Lever Clutch | | GMK1002 |
| 3.8L | 230 | 6 | 1969-63 | 12" Diaph Clutch | | 04064 |
| 3.8L | 230 | 6 | 1969-63 | 12" Diaph Clutch with Ceramic Button | | 04105 |
| 3.8L | 230 | 6 | 1969-63 | 12" Lever Clutch | | 04502 |
| 3.8L | 230 | 6 | 1969-63 | 12" Lever Clutch with Ceramic Button | | 04517 |
| 3.8L | 230 | 6 | 1969-63 | 13" Diaph Clutch | | 04106 |
| 3.8L | 230 | 6 | 1969-63 | 13" Diaph Clutch with Ceramic Button | | 04107 |
| 3.8L | 230 | 6 | 1969-63 | 13" Lever Clutch | | GMK1002 |
| 3.8L | 230 | 6 | 1969-63 | 13" Lever Clutch with Ceramic Button | | GMK1003 |
| 3.9L | 235 | 4 | 2001-98 | w/ Hydro Brake Booster | | KGM15 |
| 3.9L | 235 | 4 | 2001-98 | w/o Hydro Brake Booster, Heavy Duty Clutch, Silent Design Disc | 4HE1 | KGM16 |
| 3.9L | 235 | 6 | 1962-54 | 12" Diaph Clutch | | 04064 |
| 3.9L | 235 | 6 | 1962-54 | 12" Diaph Clutch with Ceramic Button | | 04105 |
| 3.9L | 235 | 6 | 1962-54 | 12" Lever Clutch | | 04502 |
| 3.9L | 235 | 6 | 1962-54 | 12" Lever Clutch with Ceramic Button | | 04517 |
| 4.3L | 261 | 6 | 1962-55 | 12" Diaph Clutch | | 04064 |
| 4.3L | 261 | 6 | 1962-55 | 12" Diaph Clutch with Ceramic Button | | 04105 |
| 4.3L | 261 | 6 | 1962-55 | 12" Lever Clutch | | 04502 |
| 4.3L | 261 | 6 | 1962-55 | 12" Lever Clutch with Ceramic Button | | 04517 |
| 4.6L | 283 | 8 | 1970-56 | 13" Diaph Clutch | | 04106 |
| 4.6L | 283 | 8 | 1970-56 | 13" Diaph Clutch with Ceramic Button | | 04107 |
| 4.6L | 283 | 8 | 1970-56 | 13" Lever Clutch | | GMK1002 |
| 4.6L | 283 | 8 | 1970-56 | 13" Lever Clutch with Ceramic Button | | GMK1003 |
| 4.8L | 292 | 6 | 1989-63 | 12" Diaph Clutch | | 04064 |
| 4.8L | 292 | 6 | 1989-63 | 12" Diaph Clutch with Ceramic Button | | 04105 |
| 4.8L | 292 | 6 | 1989-63 | 12" Lever Clutch | | 04502 |
| 4.8L | 292 | 6 | 1989-63 | 12" Lever Clutch with Ceramic Button | | 04517 |
| 4.8L | 292 | 6 | 1989-63 | 13" Diaph Clutch | | 04106 |
| 4.8L | 292 | 6 | 1989-63 | 13" Diaph Clutch with Ceramic Button | | 04107 |
| 4.8L | 292 | 6 | 1989-63 | 13" Lever Clutch | | GMK1002 |
| 4.8L | 292 | 6 | 1989-63 | 13" Lever Clutch with Ceramic Button | | GMK1003 |
| 5.2L | 321 | 8 | 1968-64 | 13" Diaph Clutch | | 04106 |
| 5.2L | 321 | 8 | 1968-64 | 13" Diaph Clutch with Ceramic Button | | 04107 |
| 5.2L | 321 | 8 | 1968-64 | 13" Lever Clutch | | GMK1002 |
| 5.2L | 321 | 8 | 1968-64 | 13" Lever Clutch with Ceramic Button | | GMK1003 |
| 5.4L | 327 | 8 | 1972-62 | 13" Diaph Clutch | | 04106 |
| 5.4L | 327 | 8 | 1972-62 | 13" Diaph Clutch with Ceramic Button | | 04107 |
| 5.4L | 327 | 8 | 1972-62 | 13" Lever Clutch | | GMK1002 |
| 5.4L | 327 | 8 | 1972-62 | 13" Lever Clutch with Ceramic Button | | GMK1003 |
| 5.7L | 348 | 8 | 1972-62 | 13" Diaph Clutch | | 04106 |
| 5.7L | 348 | 8 | 1972-62 | 13" Diaph Clutch with Ceramic Button | | 04107 |
| 5.7L | 348 | 8 | 1972-62 | 13" Lever Clutch | | GMK1002 |
| 5.7L | 348 | 8 | 1972-62 | 13" Lever Clutch with Ceramic Button | | GMK1003 |
| 5.7L | 350 | 8 | 1989-65 | 12" Lever Clutch | | 04502 |
| 5.7L | 350 | 8 | 1989-65 | 12" Lever Clutch | | 04502 |
| 5.7L | 350 | 8 | 1989-65 | 12" Lever Clutch with Ceramic Button | | 04517 |
| 5.7L | 350 | 8 | 1989-65 | 12" Lever Clutch with Ceramic Button | | 04517 |
| 5.7L | 350 | 8 | 1993-85 | 13" Clutch | | 04149 |
| 5.7L | 350 | 8 | 1993-85 | 13" Clutch with Ceramic Button | | 04150 |
| 5.7L | 350 | 8 | 1993-73 | 13" Diaph Clutch | | 04106 |
| 5.7L | 350 | 8 | 1972-65 | 13" Diaph Clutch | | 04106 |
| 5.7L | 350 | 8 | 1972-65 | 13" Diaph Clutch with Ceramic Button | | 04107 |
| 5.7L | 350 | 8 | 1993-73 | 13" Diaph Clutch with Ceramic Button | | 04107 |
| 5.7L | 350 | 8 | 1972-65 | 13" Lever Clutch | | GMK1002 |
| 5.7L | 350 | 8 | 1993-73 | 13" Lever Clutch | | GMK1002 |
| 5.7L | 350 | 8 | 1993-73 | 13" Lever Clutch with Ceramic Button | | GMK1003 |
| 5.7L | 350 | 8 | 1972-65 | 13" Lever Clutch with Ceramic Button | | GMK1003 |

2



| Liter | cc / in | Cyl | Years | Application Information | Engine Number | Kit |
|-------|---------|-----|-------|-------------------------|---------------|-----|
|-------|---------|-----|-------|-------------------------|---------------|-----|

CHEVROLET MEDIUM TRUCK CONT.

C40, 50, 60, 70 CONT.

| | | | | | | |
|------|-----|---|---------|--|--|---------|
| 6.0L | 366 | 8 | 1998-90 | 13" Clutch | | 04149 |
| 6.0L | 366 | 8 | 1998-90 | 13" Clutch with Ceramic Button | | 04150 |
| 6.0L | 366 | 8 | 1968-65 | 13" Diaph Clutch | | 04106 |
| 6.0L | 366 | 8 | 1989-69 | 13" Diaph Clutch | | 04106 |
| 6.0L | 366 | 8 | 1968-65 | 13" Diaph Clutch with Ceramic Button | | 04107 |
| 6.0L | 366 | 8 | 1989-69 | 13" Diaph Clutch with Ceramic Button | | 04107 |
| 6.0L | 366 | 8 | 1989-69 | 13" Lever Clutch | | GMK1002 |
| 6.0L | 366 | 8 | 1968-65 | 13" Lever Clutch | | GMK1002 |
| 6.0L | 366 | 8 | 1968-65 | 13" Lever Clutch with Ceramic Button | | GMK1003 |
| 6.0L | 366 | 8 | 1989-69 | 13" Lever Clutch with Ceramic Button | | GMK1003 |
| 6.7L | 409 | 8 | 1972-62 | 13" Diaph Clutch | | 04106 |
| 6.7L | 409 | 8 | 1972-62 | 13" Diaph Clutch with Ceramic Button | | 04107 |
| 6.7L | 409 | 8 | 1972-62 | 13" Lever Clutch | | GMK1002 |
| 6.7L | 409 | 8 | 1972-62 | 13" Lever Clutch with Ceramic Button | | GMK1003 |
| 7.0L | 427 | 8 | 1993-90 | 13" Clutch | | 04149 |
| 7.0L | 427 | 8 | 1993-90 | 13" Clutch with Ceramic Button | | 04150 |
| 7.0L | 427 | 8 | 1989-65 | 13" Diaph Clutch | | 04106 |
| 7.0L | 427 | 8 | 1989-65 | 13" Diaph Clutch with Ceramic Button | | 04107 |
| 7.0L | 427 | 8 | 1989-65 | 13" Lever Clutch | | GMK1002 |
| 7.0L | 427 | 8 | 1989-65 | 13" Lever Clutch with Ceramic Button | | GMK1003 |
| 7.0L | 427 | 8 | 2001-94 | Gas, Valeo Push Type Clutch | | KGM40 |
| 7.2L | 439 | 6 | 2006-90 | Cat 3116, 3169 with Eaton Transmission, Pull style | | KGM41 |
| 7.2L | 439 | 6 | 2001-97 | Cat 3126 Turbo with Eaton Transmission | | KGM42 |
| 7.2L | 439 | 8 | 2001-94 | CAT 3116/31126 with Eaton Transmission | | KGM41 |
| 7.2L | 439 | 8 | 1999-90 | CAT 3126 with Eaton Transmission, T Series | | KGM42 |

TILTMASTER W4000 , W7000

| | | | | | | |
|------|------|---|---------|--|------------|-------|
| 3.9L | 3900 | 4 | 1997-91 | | | KGM20 |
| 3.9L | 3900 | 4 | 1986-84 | Turbo Diesel | | 09011 |
| 3.9L | 3900 | 4 | 1986-84 | Turbo Diesel, with Ceramic Button | | KIS03 |
| 3.9L | 3900 | 4 | 2001-98 | w Hydro Brake Booster | 4HE1 | KGM15 |
| 3.9L | 3900 | 4 | 2001-98 | w/o Hydro Brake Booster, Heavy Duty Clutch, Silent Design Disc | 4HE1 | KGM16 |
| 3.9L | 3900 | 4 | 1990-87 | W4000, Turbo | 4BD1, 4BD2 | KGM14 |
| 5.8L | 5800 | 8 | 2002-84 | W7000 | 6BD1T | KIS02 |

DODGE MEDIUM TRUCK

D400, 500

| | | | | | | |
|------|-----|---|---------|--------|--|-------|
| 5.2L | 318 | 8 | 1982-60 | | | 05047 |
| 5.8L | 354 | 8 | 1982-67 | Diesel | | 05047 |
| 5.9L | 361 | 8 | 1982-67 | | | 05047 |

FORD MEDIUM TRUCK

F400, 450, 500, 550, 600, 700, 800, 900, 1000

| | | | | | | |
|------|-----|---|---------|--------------------------------|--|-------|
| 3.8L | 232 | 6 | 1983 | | | 07016 |
| 3.8L | 232 | 6 | 1982-81 | | | 07014 |
| 3.9L | 240 | 6 | 1976-55 | Diaph Clutch | | KFM10 |
| 3.9L | 240 | 6 | 1976-55 | Lever Clutch | | 07027 |
| 4.2L | 255 | 6 | 2005-97 | | | KFM12 |
| 4.9L | 300 | 6 | 1979-65 | 11" Diaph Clutch | | KFM10 |
| 4.9L | 300 | 6 | 1979-65 | 11" Lever Clutch | | 07027 |
| 4.9L | 300 | 6 | 1972-66 | 13" Clutch | | 07125 |
| 4.9L | 300 | 6 | 1979-73 | 13" Clutch | | 07125 |
| 4.9L | 300 | 6 | 1972-66 | 13" Clutch with Ceramic Button | | 07126 |
| 4.9L | 300 | 6 | 1979-73 | 13" Clutch with Ceramic Button | | 07126 |
| 5.4L | 330 | 8 | 1986-55 | 13" Clutch | | 07125 |
| 5.4L | 330 | 8 | 1986-55 | 13" Clutch with Ceramic Button | | 07126 |
| 5.9L | 359 | 8 | 1986-67 | 13" Clutch | | 07125 |
| 5.9L | 359 | 8 | 1986-67 | 13" Clutch with Ceramic Button | | 07126 |
| 5.9L | 361 | 8 | 1986-55 | 13" Clutch | | 07125 |
| 5.9L | 361 | 8 | 1986-55 | 13" Clutch with Ceramic Button | | 07126 |

| Cover | Disc | Rel Brg | Disc (mm) | Disc (in) | Spline Dia | Splines | Master Cyl | Slave Cyl | Clutch Cable | Clutch Fork | New Flywheel |
|--------|----------|---------|-----------|-----------|------------|---------|------------|-----------|--------------|-------------|--------------|
| — | — | — | 330 | 13 | 1-1/2 | 10 | — | — | — | CF127 | FWGM16 |
| — | — | — | 330 | 13 | 1-1/2 | 10 | — | — | — | CF127 | FWGM16 |
| — | — | — | 330 | 13 | 1-1/2 | 10 | — | — | — | — | — |
| — | — | — | 330 | 13 | 1-1/2 | 10 | — | — | — | CF127 | FWGM16 |
| — | — | — | 330 | 13 | 1-1/2 | 10 | — | — | — | — | — |
| — | — | — | 330 | 13 | 1-1/2 | 10 | — | — | — | CF127 | FWGM16 |
| — | — | — | 330 | 13 | 1-1/2 | 10 | — | — | — | CF127 | FWGM16 |
| — | — | — | 330 | 13 | 1-1/2 | 10 | — | — | — | — | — |
| — | — | — | 330 | 13 | 1-1/2 | 10 | — | — | — | — | — |
| — | — | — | 330 | 13 | 1-1/2 | 10 | — | — | — | CF127 | FWGM16 |
| — | — | — | 330 | 13 | 1-1/2 | 10 | — | — | — | — | — |
| — | — | — | 330 | 13 | 1-1/2 | 10 | — | — | — | — | — |
| — | — | — | 330 | 13 | 1-1/2 | 10 | — | — | — | — | — |
| — | — | — | 330 | 13 | 1-1/2 | 10 | — | — | — | — | — |
| — | — | — | 330 | 13 | 1-1/2 | 10 | — | — | — | — | — |
| — | — | — | 330 | 13 | 1-1/2 | 10 | — | — | — | — | — |
| — | — | — | 330 | 13 | 1-1/2 | 10 | — | — | — | — | — |
| — | — | — | 330 | 13 | 1-1/2 | 10 | — | — | — | — | — |
| — | — | — | 330 | 13 | 1-1/2 | 10 | — | — | — | — | — |
| — | — | — | 330 | 13 | 1-1/2 | 10 | — | — | — | — | — |
| — | — | — | 356 | 14 | 1-3/4 | 10 | — | — | — | — | — |
| — | — | — | 356 | 14 | 1-3/4 | 10 | — | — | — | — | — |
| — | — | — | 356 | 14 | 1-3/4 | 10 | — | — | — | — | — |
| — | — | — | 356 | 14 | 1-3/4 | 10 | — | — | — | — | — |
| — | — | — | 300 | 11-13/16 | 1-1/8 | 21 | — | — | — | — | — |
| — | — | — | 273 | 10-3/4 | 1 | 24 | — | — | — | — | — |
| — | — | — | 273 | 10-3/4 | 1 | 24 | — | — | — | — | — |
| — | — | — | 324 | 12-3/4 | 1-1/2 | 10 | — | — | — | — | — |
| — | — | — | 300 | 11-13/16 | 1-1/8 | 21 | — | — | — | — | — |
| — | — | — | 300 | 11-13/16 | 1 | 24 | — | — | — | — | — |
| — | — | — | 356 | 14 | 1-1/2 | 10 | — | — | — | — | — |
| CA1919 | CD3734 | N1484 | 330 | 13 | 1-3/8 | 10 | — | — | — | — | — |
| CA1919 | CD3734 | N1484 | 330 | 13 | 1-3/8 | 10 | — | — | — | — | — |
| CA1919 | CD3734 | N1484 | 330 | 13 | 1-3/8 | 10 | — | — | — | — | — |
| CA0030 | CD4184 | N1714SA | 254 | 10 | 1-1/16 | 10 | — | — | — | — | — |
| CA0030 | CD4184 | N1439SA | 254 | 10 | 1-1/16 | 10 | — | — | — | — | — |
| FMC903 | FMD808 | N1714SA | 280 | 11 | 1-1/16 | 10 | — | — | — | — | — |
| CA0465 | CD1226 | N1439SA | 280 | 11 | 1-1/16 | 10 | — | — | — | — | — |
| CA1947 | CD1947 | N8134 | 290 | 11-1/2 | 1-1/16 | 10 | — | — | — | — | — |
| FMC903 | FMD808 | N1714SA | 280 | 11 | 1-1/16 | 10 | — | — | — | — | — |
| CA0465 | CD1226 | N1439SA | 280 | 11 | 1-1/16 | 10 | — | — | — | — | — |
| CA1919 | CD0629 | N1495 | 330 | 13 | 1-3/8 | 10 | — | — | — | — | — |
| CA1919 | CD0629 | N1495 | 330 | 13 | 1-3/8 | 10 | — | — | — | — | FWFM121 |
| CA1919 | CD0629CB | N1495 | 330 | 13 | 1-3/8 | 10 | — | — | — | — | — |
| CA1919 | CD0629CB | N1495 | 330 | 13 | 1-3/8 | 10 | — | — | — | — | FWFM121 |
| CA1919 | CD0629 | N1495 | 330 | 13 | 1-3/8 | 10 | — | — | — | — | — |
| CA1919 | CD0629 | N1495 | 330 | 13 | 1-3/8 | 10 | — | — | — | — | — |
| CA1919 | CD0629CB | N1495 | 330 | 13 | 1-3/8 | 10 | — | — | — | — | — |
| CA1919 | CD0629 | N1495 | 330 | 13 | 1-3/8 | 10 | — | — | — | — | — |
| CA1919 | CD0629 | N1495 | 330 | 13 | 1-3/8 | 10 | — | — | — | — | — |
| CA1919 | CD0629CB | N1495 | 330 | 13 | 1-3/8 | 10 | — | — | — | — | — |
| CA1919 | CD0629CB | N1495 | 330 | 13 | 1-3/8 | 10 | — | — | — | — | — |

2

| Liter | cc / in | Cyl | Years | Application Information | Engine Number | Kit |
|-------|---------|-----|-------|-------------------------|---------------|-----|
|-------|---------|-----|-------|-------------------------|---------------|-----|

FORD MEDIUM TRUCK CONT.

F400, 450, 500, 550, 600, 700, 800, 900, 1000 CONT.

| | | | | | | |
|------|-----|----|---------|--|--|--------|
| 6.0L | 363 | 8 | 1982-79 | 13" Clutch | | 07125 |
| 6.0L | 363 | 8 | 1982-79 | 13" Clutch with Ceramic Button | | 07126 |
| 6.1L | 370 | 8 | 1988-79 | 13" Clutch | | 07125 |
| 6.1L | 370 | 8 | 1993-89 | 13" Clutch | | 07125 |
| 6.1L | 370 | 8 | 1988-79 | 13" Clutch with Ceramic Button | | 07126 |
| 6.1L | 370 | 8 | 1993-89 | 13" Clutch with Ceramic Button | | 07126 |
| 6.4L | 389 | 8 | 1979-65 | 13" Clutch | | 07125 |
| 6.4L | 389 | 8 | 1979-65 | 13" Clutch with Ceramic Button | | 07126 |
| 6.4L | 391 | 8 | 1978-65 | 13" Clutch | | 07125 |
| 6.4L | 391 | 8 | 1978-65 | 13" Clutch with Ceramic Button | | 07126 |
| 6.8L | 415 | 10 | 2003-99 | | | KFM21 |
| 7.0L | 429 | 8 | 1986-79 | 13" Clutch | | 07125 |
| 7.0L | 429 | 8 | 1993-87 | 13" Clutch | | 07125 |
| 7.0L | 429 | 8 | 1993-87 | 13" Clutch with Ceramic Button | | 07126 |
| 7.0L | 429 | 8 | 1986-79 | 13" Clutch with Ceramic Button | | 07126 |
| 7.3L | 446 | 8 | 1998-94 | 5 Spd with Direct Fuel Injection, VIN F. LUK Type Solid Flywheel and mounting bolts included. | | KFM18A |
| 7.3L | 446 | 8 | 1998-94 | 5 Spd with Direct Fuel Injection, VIN F. LUK Type Solid Flywheel not Included. Use this kit when solid flywheel is present. | | KFM18 |
| 7.3L | 446 | 8 | 1998-94 | 5 Spd with Direct Fuel Injection. Valeo Type Solid Flywheel Replacement Kit Includes Flywheel and Mounting Bolts. | | KFM15A |
| 7.3L | 446 | 8 | 2003-99 | 6 Spd with direct fuel injection and Valeo OE solid flywheel. Valeo type solid flywheel included. | | KFM17A |
| 7.3L | 446 | 8 | 2003-99 | 6 Spd with direct fuel injection and Valeo OE solid flywheel. Valeo type solid flywheel not included. | | KFM17 |
| 7.3L | 446 | 8 | 2003-99 | Turbo Diesel 6 speed with direct fuel injection and LUK OE solid flywheel. LUK type solid flywheel is included. This kit must be installed as a matched set. | | KFM16A |
| 7.3L | 446 | 8 | 1998-94 | With Indirect Fuel Injection, Factory Turbo, with DMF. Heavy Duty 12" option. Valeo type DMF included. | | 07100B |
| 7.3L | 446 | 8 | 1993-87 | With Indirect Fuel Injection, Factory Turbo, with DMF. Heavy Duty 12" option. Valeo type DMF included. | | 07100B |
| 7.3L | 446 | 8 | 1993-87 | With Indirect Fuel Injection, Non-Turbo and Aftermarket Turbo, with DMF. Valeo type DMF included. | | 07076A |
| 7.3L | 446 | 8 | 1998-94 | With Indirect Fuel Injection, Non-Turbo and Aftermarket Turbo, with DMF. Valeo type DMF included. | | 07076A |
| 7.3L | 446 | 8 | 1993-87 | With Indirect Fuel Injection, Non-Turbo and Aftermarket Turbo, with DMF. Valeo type DMF not included. With Stripped chassis. | | 07076 |
| 7.3L | 446 | 8 | 1998-94 | With Indirect Fuel Injection, Non-Turbo and Aftermarket Turbo, with DMF. Valeo type DMF not included. With Stripped chassis. | | 07076 |
| 7.3L | 446 | 8 | 1993-87 | With Indirect Fuel Injection, Non-Turbo and Aftermarket Turbo, with DMF. Heavy Duty 12" option with rigid disc. Valeo type DMF included. | | 07100A |
| 7.3L | 446 | 8 | 1998-94 | With Indirect Fuel Injection, Non-Turbo and Aftermarket Turbo, with DMF. Heavy Duty 12" option with rigid disc. Valeo type DMF included. | | 07100A |
| 7.3L | 446 | 8 | 1998-94 | With Indirect Fuel Injection, Non-Turbo and Aftermarket Turbo, with DMF. Heavy Duty 12" option. Valeo type DMF not included. | | 07100 |

2



| Cover | Disc | Rel Brg | Disc (mm) | Disc (in) | Spline Dia | Splines | Master Cyl | Slave Cyl | Clutch Cable | Clutch Fork | New Flywheel |
|---------|----------|---------|-----------|-----------|------------|---------|------------|-----------|--------------|-------------|--------------|
| CA1919 | CD0629 | N1495 | 330 | 13 | 1-3/8 | 10 | — | — | — | — | — |
| CA1919 | CD0629CB | N1495 | 330 | 13 | 1-3/8 | 10 | — | — | — | — | — |
| CA1919 | CD0629 | N1495 | 330 | 13 | 1-3/8 | 10 | — | — | — | CF122 | — |
| CA1919 | CD0629 | N1495 | 330 | 13 | 1-3/8 | 10 | — | — | — | — | — |
| CA1919 | CD0629CB | N1495 | 330 | 13 | 1-3/8 | 10 | — | — | — | CF122 | — |
| CA1919 | CD0629CB | N1495 | 330 | 13 | 1-3/8 | 10 | — | — | — | — | — |
| CA1919 | CD0629 | N1495 | 330 | 13 | 1-3/8 | 10 | — | — | — | — | — |
| CA1919 | CD0629CB | N1495 | 330 | 13 | 1-3/8 | 10 | — | — | — | — | — |
| CA1919 | CD0629 | N1495 | 330 | 13 | 1-3/8 | 10 | — | — | — | — | — |
| CA1919 | CD0629CB | N1495 | 330 | 13 | 1-3/8 | 10 | — | — | — | — | — |
| CA2053 | CD2069 | N8126 | 305 | 12 | 1-1/4 | 10 | — | — | — | — | — |
| CA1919 | CD0629 | N1495 | 330 | 13 | 1-3/8 | 10 | — | — | — | CF122 | — |
| CA1919 | CD0629 | N1495 | 330 | 13 | 1-3/8 | 10 | — | — | — | — | — |
| CA1919 | CD0629CB | N1495 | 330 | 13 | 1-3/8 | 10 | — | — | — | — | — |
| CA1919 | CD0629CB | N1495 | 330 | 13 | 1-3/8 | 10 | — | — | — | CF122 | — |
| LMX107X | Modular | N1753 | 330 | 13 | 1-1/4 | 10 | MC362 | SC735 | — | — | — |
| LMX107X | Modular | N1753 | 330 | 13 | 1-1/4 | 10 | MC362 | SC735 | — | — | — |
| LMS107V | Modular | N1753 | 330 | 13 | 1-1/4 | 10 | MC362 | SC735 | — | — | — |
| CA2442 | CD3578 | N8126 | 330 | 13 | 1-1/4 | 10 | MC356 | SC738 | — | — | — |
| CA2442 | CD3578 | N8126 | 330 | 13 | 1-1/4 | 10 | MC356 | SC738 | — | — | — |
| LMS108 | Modular | N8126 | 330 | 13 | 1-3/8 | 10 | — | — | — | — | — |
| CA5081 | CD5081 | N1753 | 302 | 11-7/8 | 1-1/4 | 10 | MC362 | SC735 | — | — | — |
| CA5081 | CD5081 | N1753 | 302 | 11-7/8 | 1-1/4 | 10 | MC356 | SC720 | — | — | — |
| CA0065 | CD1064 | N1753 | 280 | 11 | 1-1/4 | 10 | MC356 | SC720 | — | — | — |
| CA0065 | CD1064 | N1753 | 280 | 11 | 1-1/4 | 10 | MC362 | SC735 | — | — | — |
| CA0065 | CD1064 | N1753 | 280 | 11 | 1-1/4 | 10 | MC356 | SC735 | — | — | — |
| CA0065 | CD1064 | N1753 | 280 | 11 | 1-1/4 | 10 | MC356 | SC735 | — | — | — |
| CA0065 | CD1064 | N1753 | 280 | 11 | 1-1/4 | 10 | MC356 | SC735 | — | — | — |
| CA5081 | CD5081 | N1753 | 302 | 11-7/8 | 1-1/4 | 10 | MC356 | SC720 | — | — | — |
| CA5081 | CD5081 | N1753 | 302 | 11-7/8 | 1-1/4 | 10 | MC362 | SC735 | — | — | — |
| CA5081 | CD5081 | N1753 | 302 | 11-7/8 | 1-1/4 | 10 | MC362 | SC735 | — | — | — |

2

| Liter | cc / in | Cyl | Years | Application Information | Engine Number | Kit |
|-------|---------|-----|-------|-------------------------|---------------|-----|
|-------|---------|-----|-------|-------------------------|---------------|-----|

FORD MEDIUM TRUCK CONT.

F400, 450, 500, 550, 600, 700, 800, 900, 1000 CONT.

| | | | | | | |
|------|-----|---|---------|--|--|--------|
| 7.3L | 446 | 8 | 1993-87 | With Indirect Fuel Injection, Non-Turbo and Aftermarket Turbo, with DMF. Heavy Duty 12" option. Valeo type DMF not included. | | 07100 |
| 7.3L | 446 | 8 | 1998-94 | With Indirect Fuel Injection, Non-Turbo and Factory Turbo, 8th Digit of VIN K or M. LUK type solid flywheel replacement kit contains solid flywheel and mounting bolts. Must be used as matched set. | | 07131A |
| 7.3L | 446 | 8 | 1993-87 | With Indirect Fuel Injection, Non-Turbo and Factory Turbo, 8th Digit of VIN K or M. LUK type solid flywheel replacement kit contains solid flywheel and mounting bolts. Must be used as matched set. | | 07131A |
| 7.3L | 446 | 8 | 1998-94 | With Indirect Fuel Injection, Non-Turbo and Factory Turbo, 8th Digit of VIN K. LUK type solid flywheel replacement kit contains solid flywheel and mounting bolts. Must be used as matched set. | | 07131B |
| 7.3L | 446 | 8 | 1993-87 | With Indirect Fuel Injection, Non-Turbo and Factory Turbo, 8th Digit of VIN K. LUK type solid flywheel replacement kit contains solid flywheel and mounting bolts. Must be used as matched set. | | 07131B |
| 7.3L | 446 | 8 | 1993-87 | With Indirect Fuel Injection, Non-Turbo and Factory Turbo, LUK type solid flywheel replacement, kit does not contain flywheel. | | 07131 |
| 7.7L | 471 | 8 | 1984-63 | 13" Clutch | | 07125 |
| 7.7L | 471 | 8 | 1984-63 | 13" Clutch with Ceramic Button | | 07126 |
| 7.8L | 477 | 8 | 1984-63 | 13" Clutch | | 07125 |
| 7.8L | 477 | 8 | 1984-63 | 13" Clutch with Ceramic Button | | 07126 |

GMC MEDIUM TRUCK

C55, 65, 75

| | | | | | | |
|------|-----|---|---------|--|------|---------|
| 3.5L | 212 | 4 | 1967-63 | 4-53 Detroit Diesel with Diaph Clutch | | 04106 |
| 3.5L | 212 | 4 | 1967-63 | 4-53 Detroit Diesel with Diaph Clutch with Ceramic Button | | 04107 |
| 3.5L | 212 | 4 | 1967-63 | 4-53 Detroit Diesel with Lever Clutch | | GMK1002 |
| 3.8L | 230 | 6 | 1969-63 | 12" Diaph Clutch | | 04064 |
| 3.8L | 230 | 6 | 1969-63 | 12" Diaph Clutch with Ceramic Button | | 04105 |
| 3.8L | 230 | 6 | 1969-63 | 12" Lever Clutch | | 04502 |
| 3.8L | 230 | 6 | 1969-63 | 12" Lever Clutch with Ceramic Button | | 04517 |
| 3.8L | 230 | 6 | 1969-63 | 13" Diaph Clutch | | 04106 |
| 3.8L | 230 | 6 | 1969-63 | 13" Diaph Clutch with Ceramic Button | | 04107 |
| 3.8L | 230 | 6 | 1969-63 | 13" Lever Clutch | | GMK1002 |
| 3.8L | 230 | 6 | 1969-63 | 13" Lever Clutch with Ceramic Button | | GMK1003 |
| 3.9L | 235 | 4 | 2001-98 | w/ Hydro Brake Booster | | KGM15 |
| 3.9L | 235 | 4 | 2001-98 | w/o Hydro Brake Booster, Heavy Duty Clutch, Silent Design Disc | 4HE1 | KGM16 |
| 3.9L | 235 | 6 | 1962-54 | 12" Diaph Clutch | | 04064 |
| 3.9L | 235 | 6 | 1962-54 | 12" Diaph Clutch with Ceramic Button | | 04105 |
| 3.9L | 235 | 6 | 1962-54 | 12" Lever Clutch | | 04502 |
| 3.9L | 235 | 6 | 1962-54 | 12" Lever Clutch with Ceramic Button | | 04517 |
| 4.3L | 261 | 6 | 1962-55 | 12" Diaph Clutch | | 04064 |
| 4.3L | 261 | 6 | 1962-55 | 12" Diaph Clutch with Ceramic Button | | 04105 |
| 4.3L | 261 | 6 | 1962-55 | 12" Lever Clutch | | 04502 |
| 4.3L | 261 | 6 | 1962-55 | 12" Lever Clutch with Ceramic Button | | 04517 |
| 4.6L | 283 | 8 | 1970-56 | 13" Diaph Clutch | | 04106 |
| 4.6L | 283 | 8 | 1970-56 | 13" Diaph Clutch with Ceramic Button | | 04107 |
| 4.6L | 283 | 8 | 1970-56 | 13" Lever Clutch | | GMK1002 |
| 4.6L | 283 | 8 | 1970-56 | 13" Lever Clutch with Ceramic Button | | GMK1003 |
| 4.8L | 292 | 6 | 1989-63 | 12" Diaph Clutch | | 04064 |

| Cover | Disc | Rel Brg | Disc (mm) | Disc (in) | Spline Dia | Splines | Master Cyl | Slave Cyl | Clutch Cable | Clutch Fork | New Flywheel |
|---------|----------|---------|-----------|-----------|------------|---------|------------|-----------|--------------|-------------|--------------|
| CA5081 | CD5081 | N1753 | 302 | 11-7/8 | 1-1/4 | 10 | MC356 | SC720 | — | — | — |
| LMS105X | — | N1753 | 311 | 12-1/4 | 1-1/4 | 10 | MC362 | SC735 | — | — | — |
| LMS105X | — | N1753 | 311 | 12-1/4 | 1-1/4 | 10 | MC356 | SC720 | — | — | — |
| LMS105X | — | N1753 | 311 | 12-1/4 | 1-1/4 | 10 | MC362 | SC735 | — | — | — |
| LMS105X | — | N1753 | 311 | 12-1/4 | 1-1/4 | 10 | MC356 | SC720 | — | — | — |
| LMS105X | — | N1753 | 311 | 12-1/4 | 1-1/4 | 10 | MC356 | SC720 | — | — | — |
| CA1919 | CD0629 | N1495 | 330 | 13 | 1-3/8 | 10 | — | — | — | — | — |
| CA1919 | CD0629CB | N1495 | 330 | 13 | 1-3/8 | 10 | — | — | — | — | — |
| CA1919 | CD0629 | N1495 | 330 | 13 | 1-3/8 | 10 | — | — | — | — | — |
| CA1919 | CD0629CB | N1495 | 330 | 13 | 1-3/8 | 10 | — | — | — | — | — |
| — | — | — | 330 | 13 | 1-1/2 | 10 | — | — | — | — | — |
| — | — | — | 330 | 13 | 1-1/2 | 10 | — | — | — | — | — |
| — | — | — | 330 | 13 | 1-1/2 | 10 | — | — | — | — | — |
| — | — | — | 300 | 11-3/4 | 1-1/8 | 10 | — | — | — | — | — |
| — | — | — | 300 | 11-3/4 | 1-1/8 | 10 | — | — | — | — | — |
| — | — | — | 300 | 11-3/4 | 1-1/8 | 10 | — | — | — | — | — |
| — | — | — | 300 | 11-3/4 | 1-1/8 | 10 | — | — | — | — | — |
| — | — | — | 330 | 13 | 1-1/2 | 10 | — | — | — | — | — |
| — | — | — | 330 | 13 | 1-1/2 | 10 | — | — | — | — | — |
| — | — | — | 330 | 13 | 1-1/2 | 10 | — | — | — | — | — |
| — | — | — | 330 | 13 | 1-1/2 | 10 | — | — | — | — | — |
| — | — | — | 324 | 12-3/4 | 1-1/2 | 10 | — | — | — | — | — |
| — | — | — | 300 | 11-13/16 | 1-1/8 | 21 | — | — | — | — | — |
| — | — | — | 300 | 11-3/4 | 1-1/8 | 10 | — | — | — | — | — |
| — | — | — | 300 | 11-3/4 | 1-1/8 | 10 | — | — | — | — | — |
| — | — | — | 300 | 11-3/4 | 1-1/8 | 10 | — | — | — | — | — |
| — | — | — | 300 | 11-3/4 | 1-1/8 | 10 | — | — | — | — | — |
| — | — | — | 300 | 11-3/4 | 1-1/8 | 10 | — | — | — | — | — |
| — | — | — | 300 | 11-3/4 | 1-1/8 | 10 | — | — | — | — | — |
| — | — | — | 300 | 11-3/4 | 1-1/8 | 10 | — | — | — | — | — |
| — | — | — | 300 | 11-3/4 | 1-1/8 | 10 | — | — | — | — | — |
| — | — | — | 330 | 13 | 1-1/2 | 10 | — | — | — | — | — |
| — | — | — | 330 | 13 | 1-1/2 | 10 | — | — | — | — | — |
| — | — | — | 330 | 13 | 1-1/2 | 10 | — | — | — | — | — |
| — | — | — | 330 | 13 | 1-1/2 | 10 | — | — | — | — | — |
| — | — | — | 300 | 11-3/4 | 1-1/8 | 10 | — | — | — | — | — |

2

| Liter | cc / in | Cyl | Years | Application Information | Engine Number | Kit |
|-------------------------------|---------|-----|---------|--|---------------|---------|
| GMC MEDIUM TRUCK CONT. | | | | | | |
| <i>C55, 65, 75 CONT.</i> | | | | | | |
| 4.8L | 292 | 6 | 1989-63 | 12" Diaph Clutch with Ceramic Button | | 04105 |
| 4.8L | 292 | 6 | 1989-63 | 12" Lever Clutch | | 04502 |
| 4.8L | 292 | 6 | 1989-63 | 12" Lever Clutch with Ceramic Button | | 04517 |
| 4.8L | 292 | 6 | 1989-63 | 13" Diaph Clutch | | 04106 |
| 4.8L | 292 | 6 | 1989-63 | 13" Diaph Clutch with Ceramic Button | | 04107 |
| 4.8L | 292 | 6 | 1989-63 | 13" Lever Clutch | | GMK1002 |
| 4.8L | 292 | 6 | 1989-63 | 13" Lever Clutch with Ceramic Button | | GMK1003 |
| 5.2L | 321 | 8 | 1968-64 | 13" Diaph Clutch | | 04106 |
| 5.2L | 321 | 8 | 1968-64 | 13" Diaph Clutch with Ceramic Button | | 04107 |
| 5.2L | 321 | 8 | 1968-64 | 13" Lever Clutch | | GMK1002 |
| 5.2L | 321 | 8 | 1968-64 | 13" Lever Clutch with Ceramic Button | | GMK1003 |
| 5.4L | 327 | 8 | 1972-62 | 13" Diaph Clutch | | 04106 |
| 5.4L | 327 | 8 | 1972-62 | 13" Diaph Clutch with Ceramic Button | | 04107 |
| 5.4L | 327 | 8 | 1972-62 | 13" Lever Clutch | | GMK1002 |
| 5.4L | 327 | 8 | 1972-62 | 13" Lever Clutch with Ceramic Button | | GMK1003 |
| 5.7L | 348 | 8 | 1972-62 | 13" Diaph Clutch | | 04106 |
| 5.7L | 348 | 8 | 1972-62 | 13" Diaph Clutch with Ceramic Button | | 04107 |
| 5.7L | 348 | 8 | 1972-62 | 13" Lever Clutch | | GMK1002 |
| 5.7L | 348 | 8 | 1972-62 | 13" Lever Clutch with Ceramic Button | | GMK1003 |
| 5.7L | 350 | 8 | 1989-65 | 12" Lever Clutch | | 04502 |
| 5.7L | 350 | 8 | 1989-65 | 12" Lever Clutch | | 04502 |
| 5.7L | 350 | 8 | 1989-65 | 12" Lever Clutch with Ceramic Button | | 04517 |
| 5.7L | 350 | 8 | 1989-65 | 12" Lever Clutch with Ceramic Button | | 04517 |
| 5.7L | 350 | 8 | 1993-85 | 13" Clutch | | 04149 |
| 5.7L | 350 | 8 | 1993-85 | 13" Clutch with Ceramic Button | | 04150 |
| 5.7L | 350 | 8 | 1972-65 | 13" Diaph Clutch | | 04106 |
| 5.7L | 350 | 8 | 1993-73 | 13" Diaph Clutch | | 04106 |
| 5.7L | 350 | 8 | 1972-65 | 13" Diaph Clutch with Ceramic Button | | 04107 |
| 5.7L | 350 | 8 | 1993-73 | 13" Diaph Clutch with Ceramic Button | | 04107 |
| 5.7L | 350 | 8 | 1972-65 | 13" Lever Clutch | | GMK1002 |
| 5.7L | 350 | 8 | 1993-73 | 13" Lever Clutch | | GMK1002 |
| 5.7L | 350 | 8 | 1972-65 | 13" Lever Clutch with Ceramic Button | | GMK1003 |
| 5.7L | 350 | 8 | 1993-73 | 13" Lever Clutch with Ceramic Button | | GMK1003 |
| 6.0L | 366 | 8 | 1998-90 | 13" Clutch | | 04149 |
| 6.0L | 366 | 8 | 1998-90 | 13" Clutch with Ceramic Button | | 04150 |
| 6.0L | 366 | 8 | 1968-65 | 13" Diaph Clutch | | 04106 |
| 6.0L | 366 | 8 | 1989-69 | 13" Diaph Clutch | | 04106 |
| 6.0L | 366 | 8 | 1968-65 | 13" Diaph Clutch with Ceramic Button | | 04107 |
| 6.0L | 366 | 8 | 1989-69 | 13" Diaph Clutch with Ceramic Button | | 04107 |
| 6.0L | 366 | 8 | 1989-69 | 13" Lever Clutch | | GMK1002 |
| 6.0L | 366 | 8 | 1968-65 | 13" Lever Clutch | | GMK1002 |
| 6.0L | 366 | 8 | 1989-69 | 13" Lever Clutch with Ceramic Button | | GMK1003 |
| 6.0L | 366 | 8 | 1968-65 | 13" Lever Clutch with Ceramic Button | | GMK1003 |
| 6.7L | 409 | 8 | 1972-62 | 13" Diaph Clutch | | 04106 |
| 6.7L | 409 | 8 | 1972-62 | 13" Diaph Clutch with Ceramic Button | | 04107 |
| 6.7L | 409 | 8 | 1972-62 | 13" Lever Clutch | | GMK1002 |
| 6.7L | 409 | 8 | 1972-62 | 13" Lever Clutch with Ceramic Button | | GMK1003 |
| 7.0L | 427 | 8 | 1993-90 | 13" Clutch | | 04149 |
| 7.0L | 427 | 8 | 1993-90 | 13" Clutch with Ceramic Button | | 04150 |
| 7.0L | 427 | 8 | 1989-65 | 13" Diaph Clutch | | 04106 |
| 7.0L | 427 | 8 | 1989-65 | 13" Diaph Clutch with Ceramic Button | | 04107 |
| 7.0L | 427 | 8 | 1989-65 | 13" Lever Clutch | | GMK1002 |
| 7.0L | 427 | 8 | 1989-65 | 13" Lever Clutch with Ceramic Button | | GMK1003 |
| 7.0L | 427 | 8 | 2001-94 | Gas, Valeo Push Type Clutch | | KGM40 |
| 7.2L | 439 | 6 | 2006-90 | Cat 3116, 3169 with Eaton Transmission | | KGM41 |
| 7.2L | 439 | 6 | 2001-97 | Cat 3126 Turbo with Eaton Transmission | | KGM42 |
| 7.2L | 439 | 8 | 2001-94 | CAT 3116/31126 with Eaton Transmission | | KGM41 |
| 7.2L | 439 | 8 | 1999-90 | CAT 3126 with Eaton Transmission, T Series | | KGM42 |

2



| Cover | Disc | Rel Brg | Disc (mm) | Disc (in) | Spline Dia | Splines | Master Cyl | Slave Cyl | Clutch Cable | Clutch Fork | New Flywheel |
|-------|------|---------|-----------|-----------|------------|---------|------------|-----------|--------------|-------------|--------------|
| — | — | — | 300 | 11-3/4 | 1-1/8 | 10 | — | — | — | — | — |
| — | — | — | 300 | 11-3/4 | 1-1/8 | 10 | — | — | — | — | — |
| — | — | — | 300 | 11-3/4 | 1-1/8 | 10 | — | — | — | — | — |
| — | — | — | 330 | 13 | 1-1/2 | 10 | — | — | — | — | — |
| — | — | — | 330 | 13 | 1-1/2 | 10 | — | — | — | — | — |
| — | — | — | 330 | 13 | 1-1/2 | 10 | — | — | — | — | — |
| — | — | — | 330 | 13 | 1-1/2 | 10 | — | — | — | — | — |
| — | — | — | 330 | 13 | 1-1/2 | 10 | — | — | — | — | — |
| — | — | — | 330 | 13 | 1-1/2 | 10 | — | — | — | — | — |
| — | — | — | 330 | 13 | 1-1/2 | 10 | — | — | — | — | — |
| — | — | — | 330 | 13 | 1-1/2 | 10 | — | — | — | — | — |
| — | — | — | 330 | 13 | 1-1/2 | 10 | — | — | — | — | — |
| — | — | — | 330 | 13 | 1-1/2 | 10 | — | — | — | — | — |
| — | — | — | 330 | 13 | 1-1/2 | 10 | — | — | — | — | — |
| — | — | — | 330 | 13 | 1-1/2 | 10 | — | — | — | — | — |
| — | — | — | 330 | 13 | 1-1/2 | 10 | — | — | — | — | — |
| — | — | — | 330 | 13 | 1-1/2 | 10 | — | — | — | — | — |
| — | — | — | 300 | 11-3/4 | 1-1/8 | 10 | — | — | — | — | — |
| — | — | — | 300 | 11-3/4 | 1-1/8 | 10 | — | — | — | — | — |
| — | — | — | 300 | 11-3/4 | 1-1/8 | 10 | — | — | — | — | — |
| — | — | — | 300 | 11-3/4 | 1-1/8 | 10 | — | — | — | — | — |
| — | — | — | 330 | 13 | 1-1/2 | 10 | — | — | — | — | — |
| — | — | — | 330 | 13 | 1-1/2 | 10 | — | — | — | — | — |
| — | — | — | 330 | 13 | 1-1/2 | 10 | — | — | — | — | — |
| — | — | — | 330 | 13 | 1-1/2 | 10 | — | — | — | CF127 | — |
| — | — | — | 330 | 13 | 1-1/2 | 10 | — | — | — | — | — |
| — | — | — | 330 | 13 | 1-1/2 | 10 | — | — | — | — | — |
| — | — | — | 330 | 13 | 1-1/2 | 10 | — | — | — | — | — |
| — | — | — | 330 | 13 | 1-1/2 | 10 | — | — | — | CF127 | — |
| — | — | — | 330 | 13 | 1-1/2 | 10 | — | — | — | — | — |
| — | — | — | 330 | 13 | 1-1/2 | 10 | — | — | — | CF127 | — |
| — | — | — | 330 | 13 | 1-1/2 | 10 | — | — | — | CF127 | FWGM16 |
| — | — | — | 330 | 13 | 1-1/2 | 10 | — | — | — | CF127 | FWGM16 |
| — | — | — | 330 | 13 | 1-1/2 | 10 | — | — | — | — | — |
| — | — | — | 330 | 13 | 1-1/2 | 10 | — | — | — | CF127 | FWGM16 |
| — | — | — | 330 | 13 | 1-1/2 | 10 | — | — | — | CF127 | FWGM16 |
| — | — | — | 330 | 13 | 1-1/2 | 10 | — | — | — | — | — |
| — | — | — | 330 | 13 | 1-1/2 | 10 | — | — | — | CF127 | FWGM16 |
| — | — | — | 330 | 13 | 1-1/2 | 10 | — | — | — | — | — |
| — | — | — | 330 | 13 | 1-1/2 | 10 | — | — | — | — | — |
| — | — | — | 330 | 13 | 1-1/2 | 10 | — | — | — | — | — |
| — | — | — | 330 | 13 | 1-1/2 | 10 | — | — | — | — | — |
| — | — | — | 330 | 13 | 1-1/2 | 10 | — | — | — | — | — |
| — | — | — | 330 | 13 | 1-1/2 | 10 | — | — | — | — | — |
| — | — | — | 330 | 13 | 1-1/2 | 10 | — | — | — | — | — |
| — | — | — | 330 | 13 | 1-1/2 | 10 | — | — | — | — | — |
| — | — | — | 330 | 13 | 1-1/2 | 10 | — | — | — | — | — |
| — | — | — | 330 | 13 | 1-1/2 | 10 | — | — | — | — | — |
| — | — | — | 356 | 14 | 1-3/4 | 10 | — | — | — | — | — |
| — | — | — | 356 | 14 | 1-3/4 | 10 | — | — | — | — | — |
| — | — | — | 356 | 14 | 1-3/4 | 10 | — | — | — | — | — |
| — | — | — | 356 | 14 | 1-3/4 | 10 | — | — | — | — | — |

2

| Liter | cc / in | Cyl | Years | Application Information | Engine Number | Kit |
|-------|---------|-----|-------|-------------------------|---------------|-----|
|-------|---------|-----|-------|-------------------------|---------------|-----|

GMC MEDIUM TRUCK CONT.

| | | | | | | |
|--------------|--|--|------|---------|---------|---------|
| <i>W5500</i> | | | | | | |
| 4.75L | | | 2004 | 6 Speed | 4HE1-TC | GMK1005 |

HINO TRUCK

FA1517

| | | | | | | |
|------|--|--|---------|----------------------------------|---------|---------|
| 5.3L | | | 2004-03 | Diaph Clutch with Cearmic Button | J05C-TD | HNK1000 |
|------|--|--|---------|----------------------------------|---------|---------|

FB14

| | | | | | | |
|------|---|--|---------|-------|--------|-------|
| 3.9L | 4 | | 1991-87 | Turbo | W04C-T | KHN04 |
|------|---|--|---------|-------|--------|-------|

FB1817

| | | | | | | |
|------|--|--|---------|----------------------------------|---------|---------|
| 5.3L | | | 2004-03 | Diaph Clutch with Cearmic Button | J05C-TD | HNK1000 |
|------|--|--|---------|----------------------------------|---------|---------|

FD SERIES

| | | | | | | |
|------|---|--|---------|--|------|-------|
| 6.0L | 6 | | 1988-80 | | W06E | KHN01 |
|------|---|--|---------|--|------|-------|

| | | | | | | |
|------|--|--|---------|----------------------------------|---------|---------|
| 8.0L | | | 2004-03 | Diaph Clutch with Cearmic Button | J05C-TD | HNK1000 |
|------|--|--|---------|----------------------------------|---------|---------|

FE SERIES

| | | | | | | |
|------|---|--|---------|--|------|-------|
| 6.0L | 6 | | 1988-84 | | W06E | KHN01 |
|------|---|--|---------|--|------|-------|

| | | | | | | |
|------|---|--|---------|--|--------|-------|
| 6.5L | 6 | | 1992-89 | | H06C-T | KHN02 |
|------|---|--|---------|--|--------|-------|

| | | | | | | |
|------|---|--|---------|--|------------|-------|
| 6.7L | 6 | | 1988-84 | | H06C, H07C | KHN02 |
|------|---|--|---------|--|------------|-------|

| | | | | | | |
|------|---|--|---------|----------------------------------|--------|---------|
| 8.0L | 6 | | 1998-89 | Diaph Clutch with Cearmic Button | J08C-T | HNK1000 |
|------|---|--|---------|----------------------------------|--------|---------|

FF SERIES

| | | | | | | |
|------|---|--|---------|--|--------|-------|
| 6.5L | 6 | | 1992-89 | | H06C-T | KHN02 |
|------|---|--|---------|--|--------|-------|

| | | | | | | |
|------|---|--|---------|----------------------------------|--------|---------|
| 8.0L | 6 | | 1998-89 | Diaph Clutch with Cearmic Button | J08C-T | HNK1000 |
|------|---|--|---------|----------------------------------|--------|---------|

FG SERIES

| | | | | | | |
|------|---|--|---------|--|-------|-------|
| 6.5L | 6 | | 1988-84 | | H06TH | KHN03 |
|------|---|--|---------|--|-------|-------|

SG SERIES

| | | | | | | |
|------|---|--|---------|--|-------|-------|
| 6.5L | 6 | | 1988-84 | | H06TH | KHN03 |
|------|---|--|---------|--|-------|-------|

ISUZU MEDIUM DUTY TRUCK

EVR, W7T

| | | | | | | |
|--|--|--|---------|--|-------|---------|
| | | | 1991-90 | | MLH5G | ISK1004 |
|--|--|--|---------|--|-------|---------|

| | | | | | | |
|--|--|--|------|--|-------|---------|
| | | | 1992 | | MLD6F | ISK1004 |
|--|--|--|------|--|-------|---------|

| | | | | | | |
|--|--|--|------|--|--|---------|
| | | | 2004 | | | ISK1005 |
|--|--|--|------|--|--|---------|

| | | | | | | |
|--|--|--|---------|---|--|---------|
| | | | 1989-87 | 12/87-5/89, Spicer Diaph Clutch with Ceramic Button | | ISK1004 |
|--|--|--|---------|---|--|---------|

| | | | | | | |
|--|--|--|---------|--|----|---------|
| | | | 1988-87 | To 8/88, Spicer Diaph Clutch with Ceramic Button | MT | ISK1004 |
|--|--|--|---------|--|----|---------|

FTR, FVR, W7M, T70, T7000

| | | | | | | |
|--|--|--|---------|--|------|---------|
| | | | 1993-88 | 2/88-5/93, Spicer Diaph Clutch with Ceramic Button | 6BD1 | ISK1004 |
|--|--|--|---------|--|------|---------|

| | | | | | | |
|--|--|--|---------|---|----------|---------|
| | | | 1991-87 | From 11/87, Spicer Diaph Clutch with Ceramic Button | 6BD1, MT | ISK1004 |
|--|--|--|---------|---|----------|---------|

| | | | | | | |
|--|--|--|---------|--|--|---------|
| | | | 1996-93 | From 6/93, Spicer Diaph Clutch with Ceramic Button | | ISK1004 |
|--|--|--|---------|--|--|---------|

| | | | | | | |
|--|--|--|---------|---|---------------|---------|
| | | | 1991-90 | Spicer Diaph Clutch with Ceramic Button | MLH5G/FS6106A | ISK1004 |
|--|--|--|---------|---|---------------|---------|

| | | | | | | |
|--|--|--|---------|---|--|---------|
| | | | 2002-97 | Spicer Diaph Clutch with Ceramic Button | | ISK1004 |
|--|--|--|---------|---|--|---------|

| | | | | | | |
|--|--|--|---------|---|--|---------|
| | | | 2005-04 | Spicer Diaph Clutch with Ceramic Button | | ISK1005 |
|--|--|--|---------|---|--|---------|

| | | | | | | |
|--|--|--|---------|---|-------|---------|
| | | | 1996-90 | Spicer Diaph Clutch with Ceramic Button | MLD6F | ISK1004 |
|--|--|--|---------|---|-------|---------|

| | | | | | | |
|--|--|--|---------|--|-------|---------|
| | | | 1988-84 | To 6/88, Spicer Diaph Clutch with Ceramic Button | 6BD1T | ISK1004 |
|--|--|--|---------|--|-------|---------|

NPR

| | | | | | | |
|------|------|---|---------|--|----|-------|
| 3.9L | 3900 | 4 | 1990-86 | | W4 | KGM14 |
|------|------|---|---------|--|----|-------|

| | | | | | | |
|------|------|---|---------|--|----|-------|
| 3.9L | 3900 | 4 | 1997-91 | | W4 | KGM20 |
|------|------|---|---------|--|----|-------|

| | | | | | | |
|------|------|---|---------|--|--|---------|
| 3.9L | 3900 | 4 | 2003-99 | | | ISK1001 |
|------|------|---|---------|--|--|---------|

| | | | | | | |
|------|------|---|---------|--|--|---------|
| 3.9L | 3900 | 4 | 2003-99 | | | ISK1006 |
|------|------|---|---------|--|--|---------|

| | | | | | | |
|------|------|---|---------|-----------|--|---------|
| 3.9L | 3900 | 4 | 1999-95 | From 7/95 | | ISK1000 |
|------|------|---|---------|-----------|--|---------|

| | | | | | | |
|------|------|---|---------|---|------|-------|
| 3.9L | 3900 | 4 | 2001-98 | Heavy Duty Clutch with Silent Design Disc | 4HJ1 | KGM16 |
|------|------|---|---------|---|------|-------|

| | | | | | | |
|------|------|---|---------|---------|----|-------|
| 3.9L | 3900 | 4 | 1990-85 | To 5/90 | W4 | 09011 |
|------|------|---|---------|---------|----|-------|

| | | | | | | |
|------|------|---|---------|-------|------------|-------|
| 3.9L | 3900 | 4 | 1997-90 | Turbo | 4BD1, 4BD2 | KGM20 |
|------|------|---|---------|-------|------------|-------|

| | | | | | | |
|------|------|---|---------|-------|------------|-------|
| 3.9L | 3900 | 4 | 1994-87 | Turbo | 4BD1, 4BD2 | KGM14 |
|------|------|---|---------|-------|------------|-------|

| Cover | Disc | Rel Brg | Disc (mm) | Disc (in) | Spline Dia | Splines | Master Cyl | Slave Cyl | Clutch Cable | Clutch Fork | New Flywheel |
|-------|------|---------|-----------|-----------|------------|---------|------------|-----------|--------------|-------------|--------------|
| — | — | — | 350 | 13-3/4 | 1-1/2 | 10 | — | — | — | — | — |
| — | — | — | 356 | 14 | 1-3/4 | 10 | — | — | — | — | — |
| — | — | — | 300 | 11-13/16 | 1-1/2 | 10 | — | — | — | — | — |
| — | — | — | 356 | 14 | 1-3/4 | 10 | — | — | — | — | — |
| — | — | — | 325 | 12-13/16 | 1-1/2 | 10 | — | — | — | — | — |
| — | — | — | 356 | 14 | 1-3/4 | 10 | — | — | — | — | — |
| — | — | — | 325 | 12-13/16 | 1-1/2 | 10 | — | — | — | — | — |
| — | — | — | 352 | 13-7/8 | 1-3/4 | 10 | — | — | — | — | — |
| — | — | — | 352 | 13-7/8 | 1-3/4 | 10 | — | — | — | — | — |
| — | — | — | 356 | 14 | 1-3/4 | 10 | — | — | — | — | — |
| — | — | — | 352 | 13-7/8 | 1-3/4 | 10 | — | — | — | — | — |
| — | — | — | 356 | 14 | 1-3/4 | 10 | — | — | — | — | — |
| — | — | — | 381 | 15 | 1-3/4 | 10 | — | — | — | — | — |
| — | — | — | 381 | 15 | 1-3/4 | 10 | — | — | — | — | — |
| — | — | — | 356 | 14 | 1-1/12 | 10 | — | — | — | — | — |
| — | — | — | 356 | 14 | 1-1/12 | 10 | — | — | — | — | — |
| — | — | — | 356 | 14 | 1-1/12 | 10 | — | — | — | — | — |
| — | — | — | 356 | 14 | 1-1/12 | 10 | — | — | — | — | — |
| — | — | — | 356 | 14 | 1-1/12 | 10 | — | — | — | — | — |
| — | — | — | 356 | 14 | 1-1/12 | 10 | — | — | — | — | — |
| — | — | — | 356 | 14 | 1-1/12 | 10 | — | — | — | — | — |
| — | — | — | 356 | 14 | 1-1/12 | 10 | — | — | — | — | — |
| — | — | — | 356 | 14 | 1-1/12 | 10 | — | — | — | — | — |
| — | — | — | 356 | 14 | 1-1/12 | 10 | — | — | — | — | — |
| — | — | — | 356 | 14 | 1-1/12 | 10 | — | — | — | — | — |
| — | — | — | 300 | 11-13/16 | 1 | 24 | — | — | — | — | — |
| — | — | — | 300 | 11-13/16 | 1-1/8 | 21 | — | — | — | — | — |
| — | — | — | 300 | 11-13/16 | 1-1/8 | 21 | — | — | — | — | — |
| — | — | — | 300 | 11-13/16 | 1-1/8 | 21 | — | — | — | — | — |
| — | — | — | 300 | 11-13/16 | 1-1/8 | 21 | — | — | — | — | — |
| — | — | — | 300 | 11-13/16 | 1-1/8 | 21 | — | — | — | — | — |
| — | — | — | 273 | 10-3/4 | 1 | 24 | — | — | — | — | — |
| — | — | — | 300 | 11-13/16 | 1-1/8 | 21 | — | — | — | — | — |
| — | — | — | 300 | 11-13/16 | 1 | 24 | — | — | — | — | — |

2

| Liter | cc / in | Cyl | Years | Application Information | Engine Number | Kit |
|-------|---------|-----|-------|-------------------------|---------------|-----|
|-------|---------|-----|-------|-------------------------|---------------|-----|

ISUZU MEDIUM DUTY TRUCK CONT.

NPR CONT.

| | | | | | | |
|------|------|---|---------|-------------------|----|-------|
| 3.9L | 3900 | 4 | 1987-84 | With Ceramic Disc | W4 | KIS03 |
|------|------|---|---------|-------------------|----|-------|

MACK MIDLINER (RENAULT) (RVI)

MS200, MS250

| | | | | | | |
|------|--|---|---------|-------------------------|-------|----------|
| 5.5L | | 6 | 1999-83 | Spicer Transmission | MS200 | MKM1000S |
| 5.5L | | 6 | 1999-83 | Spicer Transmission | | MKM1001 |
| 6.2L | | 6 | 1999-83 | | | MKM1002 |
| 6.2L | | 6 | 1999-83 | Eaton Transmi+E341ssion | MS250 | MKM1000E |
| 6.2L | | 6 | 1999-83 | Spicer Transmission | | MKM1001 |
| 8.8L | | 6 | 1999-83 | | | MKM1003 |
| 8.8L | | 6 | 1999-83 | Spicer Transmission | MS250 | MKM1001 |

MITSUBISHI FUSO

FE

| | | | | | | |
|------|--|---|---------|----------------------------|--|---------|
| 3.3L | | 4 | 1991-87 | FE434, FE444, Organic Disc | | MFK1002 |
| 3.9L | | 4 | 1991-87 | FE434, FE444, Ceramic Disc | | MFK1003 |
| 3.9L | | 4 | 1995-92 | FE439, FE649, Ceramic Disc | | MFK1004 |
| 3.9L | | 4 | 1995-92 | FE439, FE649, Organic Disc | | MFK1001 |
| 3.9L | | 4 | 2003-96 | FE639, FE649, Ceramic Disc | | MFK1004 |
| 3.9L | | 4 | 2003-96 | FE639, FE649, Organic Disc | | MFK1001 |

FG

| | | | | | | |
|------|--|---|---------|---------------------|--|---------|
| 3.9L | | 4 | 1991-90 | FG434, Organic Disc | | MFK1005 |
| 3.9L | | 4 | 1993-92 | FG439, Ceramic Disc | | MFK1004 |
| 3.9L | | 4 | 1993-92 | FG439, Organic Disc | | MFK1001 |
| 3.9L | | 4 | 2003-98 | FG639, Ceramic Disc | | MFK1004 |
| 3.9L | | 4 | 2003-98 | FG639, Organic Disc | | MFK1001 |

FH

| | | | | | | |
|------|--|--|---------|--|-----------|---------|
| 5.9L | | | 2002-98 | 5 & 6 Speed, Coil Spring, Ceramic Disc | 6D34-0AT2 | MFK1012 |
| 5.9L | | | 1995-90 | FH100, Ceramic Disc | | MFK1007 |
| 5.9L | | | 2003-96 | FH211, Ceramic Disc | | MFK1008 |
| 5.9L | | | 1999-88 | FH100, Organic Disc | | MFK1006 |

FK

| | | | | | | |
|------|--|--|---------|--|-----------|---------|
| 7.5L | | | 2003-98 | 5 & 6 Speed, Coil Spring, Ceramic Disc | 6D16-2AT3 | MFK1013 |
| 7.5L | | | 1991-89 | FK415, Ceramic Disc | | MFK1011 |
| 7.5L | | | 1988 | FK415, Organic Disc | | MFK1010 |
| 7.5L | | | 1987-86 | FK415, Organic Disc | | MFK1009 |

FM-SP

| | | | | | | |
|------|--|--|---------|---|--|---------|
| 7.5L | | | 2003-98 | 6 & 10 Speed, Coil Spring, Ceramic Disc | | MFK1014 |
|------|--|--|---------|---|--|---------|

NAVISTAR

392, 406, 450, 461, 501, BC150, BC100, D354, DV550, RD372, V304, V345, V549, VS401, VS478, VS549

| | | | | | | |
|------|--|--|---------|--------------|--|---------|
| | | | 1996-65 | Diaph Clutch | | GMK1005 |
| 3.9L | | | 1996-87 | Diaph Clutch | | NVK1000 |
| 6.9L | | | 1996-87 | Diaph Clutch | | NVK1000 |
| 7.3L | | | 1996-87 | Diaph Clutch | | NVK1000 |

530, DT360, DT466, DT530

| | | | | | | |
|--|--|--|---------|--|--|---------|
| | | | 2002-85 | | | 7683-5 |
| | | | 2002-88 | | | 7237-10 |

NISSAN DIESEL TRUCK - UD

| | | | | | | |
|------|--|---|---------|------------------------------------|------|---------|
| 6.9L | | 6 | 1987-86 | CLA83, CMA83, CPB12 | FE6 | KNS01 |
| 7.4L | | 6 | 1987-85 | CPB12, CPC12 | NE6T | NDK1001 |
| 7.4L | | 6 | 1987 | CPB14, CPC14, CPC15, with RL Plate | | NDK1002 |
| 7.4L | | 6 | 1987 | CPC12, Lever Clutch w/o RL Plate | NE6T | NDK1000 |

1100

| | | | | | | |
|--|--|--|---------|--------------|-------|---------|
| | | | 1991-89 | Organic disc | FD35T | NDK1003 |
|--|--|--|---------|--------------|-------|---------|



| Cover | Disc | Rel Brg | Disc (mm) | Disc (in) | Spline Dia | Splines | Master Cyl | Slave Cyl | Clutch Cable | Clutch Fork | New Flywheel |
|-------|------|---------|-----------|-----------|------------|---------|------------|-----------|--------------|-------------|--------------|
| — | — | — | 273 | 10-3/4 | 1 | 24 | — | — | — | — | — |
| — | — | — | 330 | 12-7/8 | 1-1/2 | 13 | — | — | — | — | — |
| — | — | — | 350 | 13-3/4 | 1-1/2 | 14 | — | — | — | — | — |
| — | — | — | 350 | 13-3/4 | 1-1/2 | 14 | — | — | — | — | — |
| — | — | — | 350 | 13-3/4 | 1-1/2 | 13 | — | — | — | — | — |
| — | — | — | 350 | 13-3/4 | 1-1/2 | 14 | — | — | — | — | — |
| — | — | — | 350 | 13-3/4 | 1-3/4 | 14 | — | — | — | — | — |
| — | — | — | 350 | 13-3/4 | 1-1/2 | 14 | — | — | — | — | — |
| — | — | — | 350 | 13-3/4 | 1-1/2 | 14 | — | — | — | — | — |
| — | — | — | 350 | 13-3/4 | 1-1/2 | 14 | — | — | — | — | — |
| — | — | — | 300 | 11-13/16 | 1-3/8 | 14 | — | — | — | — | — |
| — | — | — | 300 | 11-13/16 | 1-3/8 | 14 | — | — | — | — | — |
| — | — | — | 300 | 11-13/16 | 1-3/8 | 14 | — | — | — | — | — |
| — | — | — | 300 | 11-13/16 | 1-3/8 | 14 | — | — | — | — | — |
| — | — | — | 300 | 11-13/16 | 1-3/8 | 14 | — | — | — | — | — |
| — | — | — | 275 | 10-3/4 | 1-5/32 | 14 | — | — | — | — | — |
| — | — | — | 300 | 11-13/16 | 1-3/8 | 14 | — | — | — | — | — |
| — | — | — | 300 | 11-13/16 | 1-3/8 | 14 | — | — | — | — | — |
| — | — | — | 300 | 11-13/16 | 1-3/8 | 14 | — | — | — | — | — |
| — | — | — | 300 | 11-13/16 | 1-3/8 | 14 | — | — | — | — | — |
| — | — | — | 325 | 12-13/16 | | | — | — | — | — | — |
| — | — | — | 300 | 11-13/16 | | | — | — | — | — | — |
| — | — | — | 300 | 11-13/16 | | | — | — | — | — | — |
| — | — | — | 350 | 13-3/4 | 1-3/8 | 14 | — | — | — | — | — |
| — | — | — | 325 | 12-13/16 | 1-3/8 | 14 | — | — | — | — | — |
| — | — | — | 325 | 12-13/16 | 1-3/8 | 14 | — | — | — | — | — |
| — | — | — | 325 | 12-13/16 | 1-3/8 | 14 | — | — | — | — | — |
| — | — | — | 380 | 15 | 1-3/4 | 14 | — | — | — | — | — |
| — | — | — | 350 | 13-3/4 | 1-1/2 | 10 | — | — | — | — | — |
| — | — | — | 310 | 12-1/4 | 1-1/4 | 10 | — | — | — | — | — |
| — | — | — | 310 | 12-1/4 | 1-1/4 | 10 | — | — | — | — | — |
| — | — | — | 310 | 12-1/4 | 1-1/4 | 10 | — | — | — | — | — |
| — | — | — | 356 | 14 | 1-3/4 | 10 | — | — | — | — | — |
| — | — | — | 356 | 14 | 1-3/4 | 10 | — | — | — | — | — |
| — | — | — | 330 | 13 | 1-3/16 | 16 | — | — | — | — | — |
| — | — | — | 325 | 12-13/16 | 1-3/8 | 10 | — | — | — | — | — |
| — | — | — | 380 | 14-7/8 | 1-5/8 | 10 | — | — | — | — | — |
| — | — | — | 381 | 15 | 1-3/4 | 10 | — | — | — | — | — |
| — | — | — | 275 | 10-7/8 | 1 | 24 | — | — | — | — | — |

2

| Liter | cc / in | Cyl | Years | Application Information | Engine Number | Kit |
|-------|---------|-----|-------|-------------------------|---------------|-----|
|-------|---------|-----|-------|-------------------------|---------------|-----|

NISSAN DIESEL TRUCK - UD CONT.

1200, 1300, 1400

| | | | | | | |
|--|--|--|---------|--------------|--------|---------|
| | | | 0 | | | — |
| | | | 0 | | | — |
| | | | 2004-99 | Organic disc | FD46TA | NDK1006 |
| | | | 1994-92 | Organic disc | TD42T | NDK1003 |
| | | | 1998-95 | Organic disc | TD42T | NDK1005 |

1800

| | | | | | | |
|--|--|--|---------|------------------|-------------|---------|
| | | | 0 | | | — |
| | | | 0 | | | — |
| | | | 2004-92 | Ceramtallic disc | FE6T, FE6TA | NDK1004 |
| | | | 2004-99 | Ceramtallic disc | FD46TA | NDK1007 |
| | | | 2004-92 | Organic disc | FE6T, FE6TA | NDK1011 |
| | | | 1991-89 | Organic disc | FE6T | NDK1008 |

2000

| | | | | | | |
|--|--|--|---------|------------------|-------------|---------|
| | | | 0 | | | — |
| | | | 0 | | | — |
| | | | 2004-92 | Ceramtallic disc | FE6T, FE6TE | NDK1004 |
| | | | 2004-92 | Organic disc | FE6T, FE6TE | NDK1011 |
| | | | 1991-89 | Organic disc | FE6T | NDK1008 |

2300

| | | | | | | |
|--|--|--|---------|------------------|-------------|---------|
| | | | 0 | | | — |
| | | | 0 | | | — |
| | | | 2004-89 | Ceramtallic disc | FE6T, FE6TE | NDK1004 |
| | | | 2004-89 | Organic disc | FE6T, FE6TE | NDK1011 |

2600

| | | | | | | |
|--|--|--|---------|------------------|-------------|---------|
| | | | 0 | | | — |
| | | | 0 | | | — |
| | | | 2004-89 | Ceramtallic disc | FE6T, FE6TE | NDK1004 |
| | | | 2004-89 | Organic disc | FE6T, FE6TE | NDK1011 |

2800

| | | | | | | |
|--|--|--|---------|------------------|-------------|---------|
| | | | 0 | | | — |
| | | | 0 | | | — |
| | | | 1994-89 | Ceramtallic disc | FE6T, FE6TE | NDK1004 |
| | | | 1994-89 | Organic disc | FE6T, FE6TE | NDK1011 |

3000

| | | | | | | |
|--|--|--|---------|------------------|-------------|---------|
| | | | 0 | | | — |
| | | | 0 | | | — |
| | | | 2000-92 | Ceramtallic disc | FE6T, FE6TE | NDK1004 |
| | | | 2000-92 | Organic disc | FE6T, FE6TE | NDK1011 |
| | | | 1994-92 | Organic disc | NE6TA | NDK1002 |
| | | | 1991-89 | Organic disc | NE6T | NDK1009 |

3300

| | | | | | | |
|--|--|--|---------|------------------|-------------|---------|
| | | | 2000-99 | Ceramtallic disc | FE6TA | NDK1004 |
| | | | 1994-89 | Organic disc | NE6T, NE6TA | NDK1002 |
| | | | 2000-99 | Organic disc | FE6TA | NDK1011 |

550, 600T

| | | | | | | |
|--|--|--|---------|--------------|-------------|---------|
| | | | 1994-89 | Organic disc | NE6T, NE6TA | NDK1002 |
|--|--|--|---------|--------------|-------------|---------|

VOLVO TRUCK

| | | | | | | |
|-----------|-----|--|---------|-----------------|--|---------|
| <i>FE</i> | | | | | | |
| 7.2L | 439 | | 1995-93 | CAT Engine 3116 | | VLK1002 |
| 7.2L | 439 | | 1992-90 | CAT Engine 3116 | | VLK1000 |

| Cover | Disc | Rel Brg | Disc (mm) | Disc (in) | Spline Dia | Splines | Master Cyl | Slave Cyl | Clutch Cable | Clutch Fork | New Flywheel |
|-------|------|---------|-----------|-----------|------------|---------|------------|-----------|--------------|-------------|--------------|
| — | — | — | | | | | — | — | — | — | — |
| — | — | — | | | | | — | — | — | — | — |
| — | — | — | 300 | 11-13/16 | 1 | 24 | — | — | — | — | — |
| — | — | — | 275 | 10-7/8 | 1 | 24 | — | — | — | — | — |
| — | — | — | 300 | 11-13/16 | 1 | 24 | — | — | — | — | — |
| — | — | — | | | | | — | — | — | — | — |
| — | — | — | | | | | — | — | — | — | — |
| — | — | — | 350 | 13-3/4 | 1-1/2 | 10 | — | — | — | — | — |
| — | — | — | 325 | 12-13/16 | 1-3/8 | 16 | — | — | — | — | — |
| — | — | — | 350 | 13-3/4 | 1-1/2 | 10 | — | — | — | — | — |
| — | — | — | 325 | 12-13/16 | 1-3/8 | 16 | — | — | — | — | — |
| — | — | — | | | | | — | — | — | — | — |
| — | — | — | | | | | — | — | — | — | — |
| — | — | — | 350 | 13-3/4 | 1-1/2 | 10 | — | — | — | — | — |
| — | — | — | 350 | 13-3/4 | 1-1/2 | 10 | — | — | — | — | — |
| — | — | — | 325 | 12-13/16 | 1-3/8 | 16 | — | — | — | — | — |
| — | — | — | | | | | — | — | — | — | — |
| — | — | — | | | | | — | — | — | — | — |
| — | — | — | 350 | 13-3/4 | 1-1/2 | 10 | — | — | — | — | — |
| — | — | — | 350 | 13-3/4 | 1-1/2 | 10 | — | — | — | — | — |
| — | — | — | | | | | — | — | — | — | — |
| — | — | — | | | | | — | — | — | — | — |
| — | — | — | 350 | 13-3/4 | 1-1/2 | 10 | — | — | — | — | — |
| — | — | — | 350 | 13-3/4 | 1-1/2 | 10 | — | — | — | — | — |
| — | — | — | | | | | — | — | — | — | — |
| — | — | — | | | | | — | — | — | — | — |
| — | — | — | 350 | 13-3/4 | 1-1/2 | 10 | — | — | — | — | — |
| — | — | — | 350 | 13-3/4 | 1-1/2 | 10 | — | — | — | — | — |
| — | — | — | 380 | 14-7/8 | 1-5/8 | 10 | — | — | — | — | — |
| — | — | — | 350 | 13-3/4 | 1-1/2 | 10 | — | — | — | — | — |
| — | — | — | | | | | — | — | — | — | — |
| — | — | — | | | | | — | — | — | — | — |
| — | — | — | 350 | 13-3/4 | 1-1/2 | 10 | — | — | — | — | — |
| — | — | — | 380 | 14-7/8 | 1-5/8 | 10 | — | — | — | — | — |
| — | — | — | 350 | 13-3/4 | 1-1/2 | 10 | — | — | — | — | — |
| — | — | — | | | | | — | — | — | — | — |
| — | — | — | | | | | — | — | — | — | — |
| — | — | — | 356 | 14 | 1 | 10 | — | — | — | — | — |
| — | — | — | 356 | 14 | 1 | 10 | — | — | — | — | — |

2



SECTION 3

AUTOMATIC TRANSMISSION
FRICTION KITS



2013-14 Product Catalog **AUTOMATIC TRANSMISSION FRICTION KITS**

| Item | Competitor Item# | Exedy OEM | Transmission | Item Desc | Origin |
|--------|------------------|-----------|-----------------------|--|--------|
| EFK100 | RCP96-001 | | Honda 3-Speed; 106 MM | Honda 3-Speed; 106 MM, 1980-86, OEM Standard | CHN |
| EFK101 | RCP96-002 | | Honda 4-Speed; 110 MM | Honda 4-Speed; 110 MM, 1984-On, Tan Clutches; 4.32" (110 mm) | CHN |
| EFK102 | RCP96-003 | | Honda 4-Speed; 116 MM | Honda 4-Speed; 116 MM, 1985-On, Tan Clutches; 4.55" (116 mm) | CHN |
| EFK103 | RCP96-004 | | A40 | A40/BW55, 1973-81, 3-Speed RWD | CHN |
| EFK105 | RCP96-006 | | KM175, 177 | KM175, 177, 1985-93, OEM Standard | CHN |
| EFK106 | RCP96-007 | | 4EAT-G, G4AEL | 4EAT-G, G4AEL, 1986-On, High Energy w/o Turbo | JPN |
| EFK107 | RCP96-008 | Y | F4EAT, F4AEL | F4EAT, F4AEL, 1990-On, OEM Standard | JPN |
| EFK108 | RCP96-009 | | A604/606/42RLE | Chrysler A604/606/42RLE Factory BOM w/ High Energy Clutches, 1990-On | USA |
| EFK111 | RCP96-012 | Y | A340, A340E/H | A340, A340E/H, 85-On, 3-Speed RWD w/o Turbo | CHN |
| EFK112 | RCP96-015 | | 4HP 22 | ZF-4HP22, 1984-On | CHN |
| EFK113 | RCP96-016 | | LJ4A-EL | Mazda LJ4A-EL, Early 1995 | JPN |
| EFK114 | RCP96-017 | | LJ4A-EL | Mazda LJ4A-EL, Late 1995-On | JPN |
| EFK116 | RCP96-019 | Y | RE4R01A, RL4R01A | Nissan RE/RL4R01A (2WD), 1987-On | CHN |
| EFK117 | RCP96-020 | Y | RE4R01A, RL4R01A | Nissan RE/RL4R01A (4WD), 1987-On | CHN |
| EFK123 | RCP96-026 | | AW55-50SN/ 51SN | AW55-50SN, 1999-On | JPN |
| EFK126 | RCP96-029 | | AOD | Ford AOD w/ .073"Direct, 1983-93 | CHN |
| EFK127 | RCP96-030 | | AODE | Ford AOD-E w/ 5.33" OD Forward, 1990-93 | USA |
| EFK128 | RCP96-031 | Y | AODE/4R70W | Ford 4R70W, 1995-On | USA |
| EFK131 | RCP96-037 | | THM 400 | GM THM 400, 1964-90 | CHN |
| EFK133 | RCP96-039 | | A4LD | A4LD, 1990-On, Late Thin Clutch | CHN |
| EFK136 | RCP96-042 | | A404 | A404 W/Late FWD Clutch, 1981-On | CHN |
| EFK149 | RCP96-055 | | THM 200/C | THM 200/C, 1976-87, OEM Standard | CHN |
| EFK153 | RCP96-059 | | A518/618 | A518/618, 1990-On | USA |
| EFK154 | RCP96-060 | | A500 | A500, 1989-On, w/ Heavy Duty Forward Clutches | USA |
| EFK156 | RCP96-065 | | KM175, 177 | Mitsubishi KM 175, 177, 1985-93 | CHN |
| EFK157 | RCP96-066 | | KM175, 177 | KM175, 177, 1985-93, No OD Clutches | CHN |
| EFK158 | RCP96-067 | | KM 170 | KM 170, 1979-93, w/ 4 85-93 OD Plates | CHN |
| EFK159 | RCP96-068 | Y | RE/RL4F04A | RE/RL4F04A, 1992-On, w/ both High Clutches | JPN |
| EFK160 | RCP96-069 | Y | RE/RL4F04A | RE/RL4F04A, 1992-On, Narrow High Clutch Only | JPN |
| EFK162 | RCP96-072 | | AODE | AODE, 1990-93, OEM Standard | USA |
| EFK163 | RCP96-073 | | 4R70W | 4R70W, 1994-95, w/ 4 Pack Intermediate | USA |
| EFK167 | RCP96-078 | Y | 4L30E | 4L30E, 1990-97, OEM Standard | JPN |
| EFK168 | RCP96-079 | Y | 4L30E | 4L30E, 1998-On, w/ late model 3rd Clutch | JPN |
| EFK169 | RCP96-080 | Y | RL4F03A | NISSAN RL4F03A Narrow Tooth High, 1991-On | CHN |
| EFK170 | RCP96-081 | Y | RL4F03A | RL4F03A, 1991-On, w/ Thin .063" (1.6 mm) High Clutch | CHN |
| EFK171 | RCP96-082 | | RL4F03A | RL4F03A, 1991-On, w/ both High Clutches | CHN |
| EFK173 | RCP96-087 | | 4L60/E (THM 700 R4) | 4L60/E (THM 700 R4), 1987-On, w/ High Energy .080" 3-4 Clutch | CHN |
| EFK174 | RCP96-088 | Y | 4T40E | 4T40E, 1995-On, OEM Standard All High Energy | USA |
| EFK175 | RCP96-089 | | 32RH (A904) | 32RH (A904), 1960-87, 5 Direct Waffle; 0.086"; 4 Forward | CHN |
| EFK181 | RCP96-095 | Y | 4F27E | 4F27E, 1999-On, OEM Standard | USA |
| EFK191 | RCP96-108 | Y | 4R70W | 4R70W, 1998-On, w/ HE Direct & 4 Pack Intermediate | USA |
| EFK193 | RCP96-110 | | KM175/ W4A32-1 | KM175/ W4A32-1, 1991-On, OEM Standard | CHN |
| EFK194 | RCP96-111 | | A140/E | A140/E, 1986-97, OEM Standard | CHN |
| EFK196 | RCP96-113 | | A681 | Chrysler 46RE W/ HE 0.084" DIRECT CL, 1998-On | USA |
| EFK197 | RCP96-120 | | 3L80 (THM 400) | 3L80 (THM 400), 1965-90, OEM Standard | CHN |
| EFK198 | RCP96-121 | | AXODE/AX4S/AXOD | AXODE/AX4S/AXOD, 1994-On, Late Model Application Only | USA |
| EFK201 | RCP96-124 | | A130/131 | Toyota A130/131, 1984-On | CHN |
| EFK202 | RCP96-125 | | L4N71B | Nissan L4N71B, 1983-On | CHN |

3

AUTOMATIC TRANSMISSION FRICTION KITS 2013-14 Product Catalog

| Item | Competitor Item# | Exedy OEM | Transmission | Item Desc | Origin |
|--------|------------------|-----------|--------------------------|---|--------|
| EFK203 | RCP96-126 | | A42D/43D/L | Toyota A42D/43D/L (AW70/ 71), 1979-81 | CHN |
| EFK204 | RCP96-130 | Y | RE4R03A | Nissan/Infinity/Isuzu/Jatco RE4R03A, 1988-On | CHN |
| EFK205 | RCP96-131 | Y | RE4R03A, JR403E, RG4R01A | Nissan/Infinity/Isuzu/Jatco RE4R03A, JR403E, RG4R01A, 1990-On | CHN |
| EFK206 | RCP96-132 | | A340/E/F (Jeep & Turbo) | Toyota A340/E/F (Jeep & Turbo), 1983-On | CHN |
| EFK210 | RCP96-137 | | 50-40/42/LE | AW 50-40/42/LE, 1989-1998 | CHN |
| EFK216 | RCP96-144 | | JF403E | JF403E, 1990-On, Jatco/Geo/Isuzu | CHN |
| EFK218 | RCP96-146 | | A540 | A540, 88-E91, Toyota | CHN |
| EFK219 | RCP96-147 | | A540 | A540, L91-93, Toyota | CHN |
| EFK220 | RCP96-148 | | A541E | A541E, 1994-On, Toyota | JPN |
| EFK222 | RCP96-152 | | A540 | A540, 1996-99, RAV4 | CHN |
| EFK227 | RCP96-160 | | 4L65E | 4L65E, 2001-On, w/ .065" 3/4 clutch w/ High Energy material | CHN |
| EFK231 | RCP96-165 | Y | 5R110W (Torq Shift) | Ford 5R110W (Torq Shift), 2003-2004 | USA |
| EFK235 | RCP96-169 | Y | 5L40E | 5L40E, 1999-01 | JPN |
| EFK243 | RCP96-180 | Y | 5R110W (Torq Shift) | Ford 5R110W (Torq Shift), 2005-On | USA |
| EFK247 | RCP96-185 | | RE0F09A (ECVT) | RE0F09A (ECVT), 2003-On, Nissan | JPN |
| EFK249 | RCP96-188 | | RE5R05A (JR508E) | Nissan/Infiniti RE5R05A, Except V8, 2002-On | JPN |
| EFK251 | RCP96-190 | | 5L40E | 5L40E, 2002-On | JPN |
| EFK254 | RCP96-193 | | F4NA-EL | F4NA-3L (MAZDA ONLY) also: 4F27E, 2003-On w/2.3L Engine | USA |
| EFK258 | RCP96-197 | Y | RE5R05A (JR509E) | Nissan/Infiniti RE5R05A V8, 2002-On | JPN |
| EFK259 | RCP96-200 | Y | 4L30E | GM 4L30E, 1990-On | JPN |
| EFK266 | | Y | 5HP30 | 5HP30, 1993-On | JPN |
| EFK267 | | Y | FNR5 (5 SPEED) | FNR5 (5 SPEED), 2005-On | JPN |
| EFK268 | | Y | N4AEL | N4AEL, 1988-92 | CHN |
| EFK269 | | Y | R4AEL | R4AEL, 1989-98 | CHN |
| EFK270 | | Y | F6AJA (JF613E) | F6AJA (JF613E), 2007 | JPN |
| EFK271 | | Y | JF009E | JF009E | JPN |
| EFK272 | | Y | JF010E (RE0F09A) | JF010E (RE0F09A), 2002-On | JPN |
| EFK273 | | Y | JF011E | JF011E | JPN |
| EFK274 | | Y | JF012E | JF012E | JPN |
| EFK275 | | Y | JF302E | JF302E | JPN |
| EFK276 | | Y | JR710E (MGO) | JR710E (MGO), 2009 | JPN |
| EFK277 | | Y | JR711E (MHO) | JR710E (MGO), 2009 | JPN |
| EFK278 | | Y | RE5R01A (JR502E) | RE5R01A (JR502E) | JPN |
| EFK279 | | Y | ECVT | SUBARU ECVT, 1989-94 | JPN |
| EFK280 | | Y | RE5R (JR507E) | RE5R (JR507E), 2005 | JPN |
| EFK281 | | Y | K410, XA-10LN CVT | K410, XA-10LN CVT, 2005 | JPN |
| EFK282 | | Y | 6F50 | 6F50, 2007-On | USA |
| EFK283 | | Y | 6F55 | 6F55, 2009 | USA |
| EFK284 | | Y | 6T70/6T75 (X22F) | 6T70/6T75 (X22F), 2006-On | USA |
| EFK285 | | Y | 5L50E | 5L50E, 2004-On | JPN |
| EFK286 | | Y | 4R70W | 4R70W, 1993-97, Intermediate Smooth | USA |
| EFK287 | | Y | VT25-E | VT25-E, 2002-06, Saturn | JPN |
| EFK288 | | Y | 6T40/45/50 | GM, 6T40/45/50 GEN 1, 2008-ON | CHN |
| EFK289 | | Y | 6R140 | 6R140W, 2010-UP, Gas Eng. | USA |
| EFK290 | | Y | 6R140 | 6R140W, 2010-UP, Diesel Eng. | USA |

3



SECTION 4

AUTOMATIC TRANSMISSION BRAKE
BAND BUYERS GUIDE



| Make/Model | Year | Transmission | Description | OEM # | Daikin # |
|-----------------------|---------|-------------------------------------|-----------------------------|-----------------|------------|
| Daihatsu | | | | | |
| Mira, Terios | | | | 35810-97204(00) | 7502037001 |
| Ford/Mazda | | | | | |
| Capera, 323, 626 | 1986-92 | G4AEL, G4AHL, GF4AEL, G4EAT, GF4EAT | Brake - Non Turbo (1.500*) | FU08-21-310B | 7502031001 |
| Capera, 323, 626 | 1988-ON | G4AEL, G4AHL, GF4AEL, G4EAT, GF4EAT | Brake - Turbo (1.750*) | FU32-21-310C | 7502023002 |
| Escort, 323 | 1990-99 | 4EAT TYPE F, F4AEL | Brake | FU60-19-572A | 7502028009 |
| Probe, MX6 | | | | FU9A-21-310C | 7502033006 |
| Mazda | | | | | |
| RX7 | | | | 31630-41X05 | 7502034001 |
| Mitsubishi | | | | | |
| Minica | | | | MR399225 | 7502038000 |
| Mirage | 1979-ON | KM, 3 & 4 SPEED | Kick down - Narrow (1.570*) | MD725287 | 7502024002 |
| Nissan | | | | | |
| Skyline | 1971-87 | 3N71B, L3N71B | Brake - Flex | 31630-X0110 | 7502012001 |
| Skyline | 1983-93 | E4N71B, L4N71B | Intermediate Brake | 31630-X0110 | 7502012001 |
| Subaru | | | | | |
| Legacy | 1987-98 | RAX-EL (4AT) | Brake | 31630-AA050 | 7502036000 |
| Alcyone, Impreza, Leg | 1990-ON | RAX-EL (4AT) | Over-drive Band | 31630-AA020 | 7502029001 |
| Suzuki | | | | | |
| Alt | | | | 31630-EH201 | 7502039000 |
| Alto | | | | 31630-EH200 | 7502031001 |

Superseded Part Numbers

7502031003 superseded to 7502031001

7502034000 superseded to 7502034001



SECTION 5

CONVERSIONS METRIC TO INCHES



To Convert

Formula

| | |
|------------------------|--|
| Cubic Inches to Liters | LITERS times 61.024 equals CUBIC INCHES |
| Liters to Cubic Inches | CUBIC INCHES divided by 61.024 equals LITERS |

| LITERS | CC / CI | LITERS | CC / CI | LITERS | CC / CI | LITERS | CC / CI |
|--------|---------|--------|---------|--------|---------|--------|---------|
| 1.0L | 61 | 1.6L | 1588 | 2.0L | 1952 | 2.3L | 2299 |
| 1.0L | 948 | 1.6L | 1588 | 2.0L | 1955 | 2.3L | 2300 |
| 1.0L | 995 | 1.6L | 1589 | 2.0L | 1958 | 2.3L | 2302 |
| 1.0L | 1000 | 1.6L | 1590 | 2.0L | 1967 | 2.3L | 2307 |
| 1.0L | 1146 | 1.6L | 1595 | 2.0L | 1968 | 2.3L | 2309 |
| 1.1L | 1100 | 1.6L | 1596 | 2.0L | 1970 | 2.3L | 2316 |
| 1.1L | 1116 | 1.6L | 1597 | 2.0L | 1971 | 2.3L | 2341 |
| 1.1L | 1146 | 1.6L | 1599 | 2.0L | 1972 | 2.4L | 145 |
| 1.2L | 1166 | 1.6L | 1600 | 2.0L | 1974 | 2.4L | 146 |
| 1.2L | 1189 | 1.6L | 1606 | 2.0L | 1975 | 2.4L | 148 |
| 1.2L | 1196 | 1.6L | 1639 | 2.0L | 1983 | 2.4L | 150 |
| 1.2L | 1200 | 1.7L | 104 | 2.0L | 1984 | 2.4L | 2351 |
| 1.2L | 1237 | 1.7L | 1678 | 2.0L | 1985 | 2.4L | 2366 |
| 1.3L | 79 | 1.7L | 1700 | 2.0L | 1986 | 2.4L | 2389 |
| 1.3L | 81 | 1.7L | 1715 | 2.0L | 1989 | 2.4L | 2393 |
| 1.3L | 1272 | 1.7L | 1721 | 2.0L | 1990 | 2.4L | 2398 |
| 1.3L | 1275 | 1.8L | 107 | 2.0L | 1991 | 2.4L | 2400 |
| 1.3L | 1289 | 1.8L | 110 | 2.0L | 1994 | 2.4L | 2435 |
| 1.3L | 1290 | 1.8L | 112 | 2.0L | 1997 | 2.4L | 2438 |
| 1.3L | 1295 | 1.8L | 113 | 2.0L | 1998 | 2.5L | 148 |
| 1.3L | 1300 | 1.8L | 1590 | 2.0L | 2792 | 2.5L | 150 |
| 1.3L | 1301 | 1.8L | 1597 | 2.1L | 126 | 2.5L | 151 |
| 1.3L | 1308 | 1.8L | 1751 | 2.1L | 2056 | 2.5L | 152 |
| 1.3L | 1328 | 1.8L | 1754 | 2.1L | 2100 | 2.5L | 153 |
| 1.3L | 1335 | 1.8L | 1760 | 2.1L | 2109 | 2.5L | 173 |
| 1.3L | 1342 | 1.8L | 1762 | 2.1L | 2119 | 2.5L | 262 |
| 1.4L | 85 | 1.8L | 1770 | 2.1L | 2127 | 2.5L | 2451 |
| 1.4L | 1393 | 1.8L | 1780 | 2.2L | 132 | 2.5L | 2458 |
| 1.4L | 1397 | 1.8L | 1781 | 2.2L | 133 | 2.5L | 2459 |
| 1.4L | 1400 | 1.8L | 1790 | 2.2L | 134 | 2.5L | 2475 |
| 1.4L | 1410 | 1.8L | 1793 | 2.2L | 135 | 2.5L | 2492 |
| 1.4L | 1415 | 1.8L | 1795 | 2.2L | 2109 | 2.5L | 2493 |
| 1.5L | 90 | 1.8L | 1796 | 2.2L | 2144 | 2.5L | 2494 |
| 1.5L | 92 | 1.8L | 1797 | 2.2L | 2147 | 2.5L | 2497 |
| 1.5L | 1452 | 1.8L | 1798 | 2.2L | 2155 | 2.5L | 2498 |
| 1.5L | 1456 | 1.8L | 1800 | 2.2L | 2156 | 2.5L | 2500 |
| 1.5L | 1457 | 1.8L | 1809 | 2.2L | 2163 | 2.5L | 2508 |
| 1.5L | 1468 | 1.8L | 1817 | 2.2L | 2164 | 2.6L | 156 |
| 1.5L | 1471 | 1.8L | 1829 | 2.2L | 2180 | 2.6L | 2555 |
| 1.5L | 1475 | 1.8L | 1834 | 2.2L | 2184 | 2.6L | 2557 |
| 1.5L | 1487 | 1.8L | 1836 | 2.2L | 2187 | 2.6L | 2559 |
| 1.5L | 1488 | 1.8L | 1839 | 2.2L | 2189 | 2.6L | 2563 |
| 1.5L | 1489 | 1.8L | 1840 | 2.2L | 2195 | 2.6L | 2565 |
| 1.5L | 1490 | 1.8L | 1845 | 2.2L | 2197 | 2.6L | 2588 |
| 1.5L | 1491 | 1.9L | 116 | 2.2L | 2200 | 2.6L | 2597 |
| 1.5L | 1493 | 1.9L | 119 | 2.2L | 2212 | 2.6L | 2599 |
| 1.5L | 1495 | 1.9L | 1858 | 2.2L | 2226 | 2.6L | 2600 |
| 1.5L | 1497 | 1.9L | 1872 | 2.2L | 2237 | 2.6L | 2606 |
| 1.5L | 1500 | 1.9L | 1895 | 2.3L | 138 | 2.7L | 165 |
| 1.5L | 1508 | 1.9L | 1896 | 2.3L | 140 | 2.7L | 167 |
| 1.6L | 97 | 1.9L | 1898 | 2.3L | 173 | 2.7L | 294 |
| 1.6L | 98 | 1.9L | 1900 | 2.3L | 2253 | 2.7L | 2656 |
| 1.6L | 1565 | 1.9L | 1915 | 2.3L | 2254 | 2.7L | 2671 |
| 1.6L | 1573 | 1.9L | 1949 | 2.3L | 2259 | 2.7L | 2672 |
| 1.6L | 1586 | 2.0L | 121 | 2.3L | 2290 | 2.7L | 2673 |
| 1.6L | 1587 | 2.0L | 122 | 2.3L | 2295 | | |

| To Convert | Formula |
|------------------------|--|
| Cubic Inches to Liters | LITERS times 61.024 equals CUBIC INCHES |
| Liters to Cubic Inches | CUBIC INCHES divided by 61.024 equals LITERS |

| LITERS | CC / CI | LITERS | CC / CI | LITERS | CC / CI | LITERS | CC / CI |
|--------|---------|--------|---------|--------|---------|--------|---------|
| 2.7L | 2675 | 3.4L | 207 | 4.8L | 292 | 7.4L | 455 |
| 2.7L | 2688 | 3.4L | 3378 | 4.8L | 294 | 7.5L | 455 |
| 2.7L | 2693 | 3.4L | 3400 | 4.9L | 300 | 7.5L | 460 |
| 2.7L | 2694 | 3.4L | 3431 | 4.9L | 301 | 7.8L | 477 |
| 2.7L | 2700 | 3.5L | 212 | 5.0L | 302 | 8.0L | 488 |
| 2.8L | 170 | 3.5L | 3430 | 5.0L | 304 | 8.0L | 490 |
| 2.8L | 171 | 3.5L | 3453 | 5.0L | 305 | 8.1L | 496 |
| 2.8L | 173 | 3.5L | 3475 | 5.0L | 307 | 8.3L | 505 |
| 2.8L | 231 | 3.5L | 3500 | 5.0L | 4950 | | |
| 2.8L | 2753 | 3.5L | 3524 | 5.2L | 316 | | |
| 2.8L | 2754 | 3.5L | 3540 | 5.2L | 318 | | |
| 2.8L | 2771 | 3.5L | 3543 | 5.3L | 326 | | |
| 2.8L | 2788 | 3.6L | 221 | 5.4L | 327 | | |
| 2.8L | 2792 | 3.6L | 223 | 5.4L | 329 | | |
| 2.8L | 2793 | 3.6L | 3562 | 5.4L | 330 | | |
| 2.8L | 2800 | 3.6L | 3590 | 5.5L | 330 | | |
| 2.8L | 2827 | 3.6L | 3596 | 5.6L | 340 | | |
| 2.8L | 2849 | 3.6L | 3606 | 5.6L | 343 | | |
| 2.9L | 177 | 3.7L | 225 | 5.6L | 5576 | | |
| 2.9L | 179 | 3.7L | 226 | 5.7L | 347 | | |
| 3.0L | 181 | 3.8L | 229 | 5.7L | 348 | | |
| 3.0L | 182 | 3.8L | 230 | 5.7L | 350 | | |
| 3.0L | 183 | 3.8L | 231 | 5.7L | 351 | | |
| 3.0L | 2954 | 3.8L | 232 | 5.8L | 351 | | |
| 3.0L | 2959 | 3.8L | 3800 | 5.8L | 352 | | |
| 3.0L | 2960 | 3.9L | 235 | 5.8L | 354 | | |
| 3.0L | 2961 | 3.9L | 240 | 5.8L | 5800 | | |
| 3.0L | 2966 | 3.9L | 2950 | 5.9L | 360 | | |
| 3.0L | 2967 | 3.9L | 3900 | 5.9L | 361 | | |
| 3.0L | 2969 | 3.9L | 3950 | 6.0L | 363 | | |
| 3.0L | 2972 | 4.0L | 242 | 6.1L | 370 | | |
| 3.0L | 2980 | 4.0L | 244 | 6.2L | 379 | | |
| 3.0L | 2983 | 4.0L | 3950 | 6.3L | 383 | | |
| 3.0L | 2985 | 4.0L | 3982 | 6.4L | 389 | | |
| 3.0L | 2988 | 4.0L | 4016 | 6.4L | 390 | | |
| 3.0L | 2997 | 4.1L | 250 | 6.4L | 391 | | |
| 3.0L | 2999 | 4.2L | 255 | 6.5L | 395 | | |
| 3.0L | 3000 | 4.2L | 258 | 6.5L | 396 | | |
| 3.1L | 189 | 4.2L | 4172 | 6.6L | 400 | | |
| 3.1L | 191 | 4.2L | 4196 | 6.6L | 401 | | |
| 3.1L | 3137 | 4.2L | 4200 | 6.6L | 402 | | |
| 3.2L | 194 | 4.3L | 260 | 6.6L | 403 | | |
| 3.2L | 196 | 4.3L | 261 | 6.6L | 406 | | |
| 3.2L | 198 | 4.3L | 262 | 6.7L | 409 | | |
| 3.2L | 3165 | 4.3L | 265 | 6.8L | 413 | | |
| 3.2L | 3179 | 4.3L | 4294 | 6.8L | 415 | | |
| 3.2L | 3200 | 4.4L | 265 | 6.9L | 420 | | |
| 3.2L | 3206 | 4.4L | 267 | 6.9L | 421 | | |
| 3.3L | 185 | 4.4L | 270 | 7.0L | 425 | | |
| 3.3L | 200 | 4.5L | 273 | 7.0L | 427 | | |
| 3.3L | 3210 | 4.6L | 281 | 7.0L | 428 | | |
| 3.3L | 3230 | 4.6L | 283 | 7.0L | 429 | | |
| 3.3L | 3275 | 4.7L | 285 | 7.2L | 439 | | |
| 3.3L | 3294 | 4.7L | 287 | 7.2L | 440 | | |
| 3.3L | 3300 | 4.7L | 289 | 7.3L | 446 | | |
| 3.4L | 204 | 4.8L | 290 | 7.4L | 454 | | |

To Convert

Formula

| | |
|-----------------------|---|
| Millimeters to Inches | MILLIMETERS divided by 25.4 equals INCHES |
| Inches to Millimeters | INCHES times 25.4 equals MILLIMETERS |

5

| DISC (IN) | DISC (MM) | DISC (IN) | DISC (MM) | DISC (IN) | DISC (MM) |
|-----------|-----------|-----------|-----------|-----------|-----------|
| 6-1/4 | 159 | 8-3/4 | 222 | 10-3/8 | 264 |
| 6-5/16 | 160 | 8-13/16 | 224 | 10-1/2 | 267 |
| 6-1/2 | 165 | 8-7/8 | 225 | 10-3/4 | 273 |
| 6-11/16 | 170 | 9 | 229 | 10-7/8 | 276 |
| 6-3/4 | 172 | 9-1/16 | 230 | 11 | 279 |
| 7 | 178 | 9-1/8 | 232 | 11-1/2 | 292 |
| 7-1/8 | 181 | 9-1/4 | 235 | 11-3/4 | 298 |
| 7-1/4 | 184 | 9-5/16 | 237 | 11-13/16 | 300 |
| 7-3/8 | 187 | 9-3/8 | 238 | 11-7/8 | 302 |
| 7-1/2 | 190 | 9-7/16 | 240 | 12 | 305 |
| 7-7/8 | 200 | 9-1/2 | 241 | 12-1/4 | 311 |
| 8 | 203 | 9-5/8 | 244 | 12-3/4 | 324 |
| 8-1/4 | 210 | 9-11/16 | 246 | 12-13/16 | 325 |
| 8-5/16 | 211 | 9-3/4 | 248 | 13 | 330 |
| 8-3/8 | 213 | 9-7/8 | 248 | 13-7/8 | 352 |
| 8-7/16 | 214 | 10 | 254 | 14 | 356 |
| 8-1/2 | 216 | 10-1/8 | 257 | 15 | 381 |
| 8-5/8 | 219 | 10-1/4 | 260 | | |

To Convert

Formula

| | |
|-----------------------|---|
| Millimeters to Inches | MILLIMETERS divided by 25.4 equals INCHES |
| Inches to Millimeters | INCHES times 25.4 equals MILLIMETERS |

| DISC (MM) | DISC (IN) | DISC (MM) | DISC (IN) | DISC (MM) | DISC (IN) |
|-----------|-----------|-----------|-----------|-----------|-----------|
| 159 | 6-1/4 | 222 | 8-3/4 | 264 | 10-3/8 |
| 160 | 6-5/16 | 224 | 8-13/16 | 267 | 10-1/2 |
| 165 | 6-1/2 | 225 | 8-7/8 | 273 | 10-3/4 |
| 170 | 6-11/16 | 229 | 9 | 276 | 10-7/8 |
| 172 | 6-3/4 | 230 | 9-1/16 | 279 | 11 |
| 178 | 7 | 232 | 9-1/8 | 292 | 11-1/2 |
| 181 | 7-1/8 | 235 | 9-1/4 | 298 | 11-3/4 |
| 184 | 7-1/4 | 237 | 9-5/16 | 300 | 11-13/16 |
| 187 | 7-3/8 | 238 | 9-3/8 | 302 | 11-7/8 |
| 190 | 7-1/2 | 240 | 9-7/16 | 305 | 12 |
| 200 | 7-7/8 | 241 | 9-1/2 | 311 | 12-1/4 |
| 203 | 8 | 244 | 9-5/8 | 324 | 12-3/4 |
| 210 | 8-1/4 | 246 | 9-11/16 | 325 | 12-13/16 |
| 211 | 8-5/16 | 248 | 9-3/4 | 330 | 13 |
| 213 | 8-3/8 | 248 | 9-7/8 | 352 | 13-7/8 |
| 214 | 8-7/16 | 254 | 10 | 356 | 14 |
| 216 | 8-1/2 | 257 | 10-1/8 | 381 | 15 |
| 219 | 8-5/8 | 260 | 10-1/4 | | |



SECTION 6

INSTALLATION INSTRUCTIONS



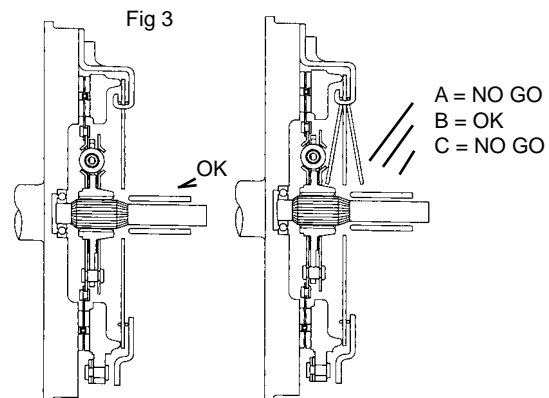
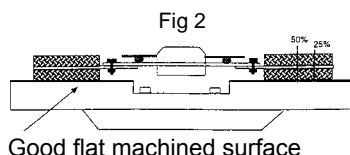
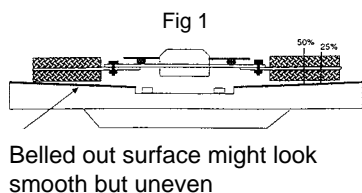
How to get it right the first time...

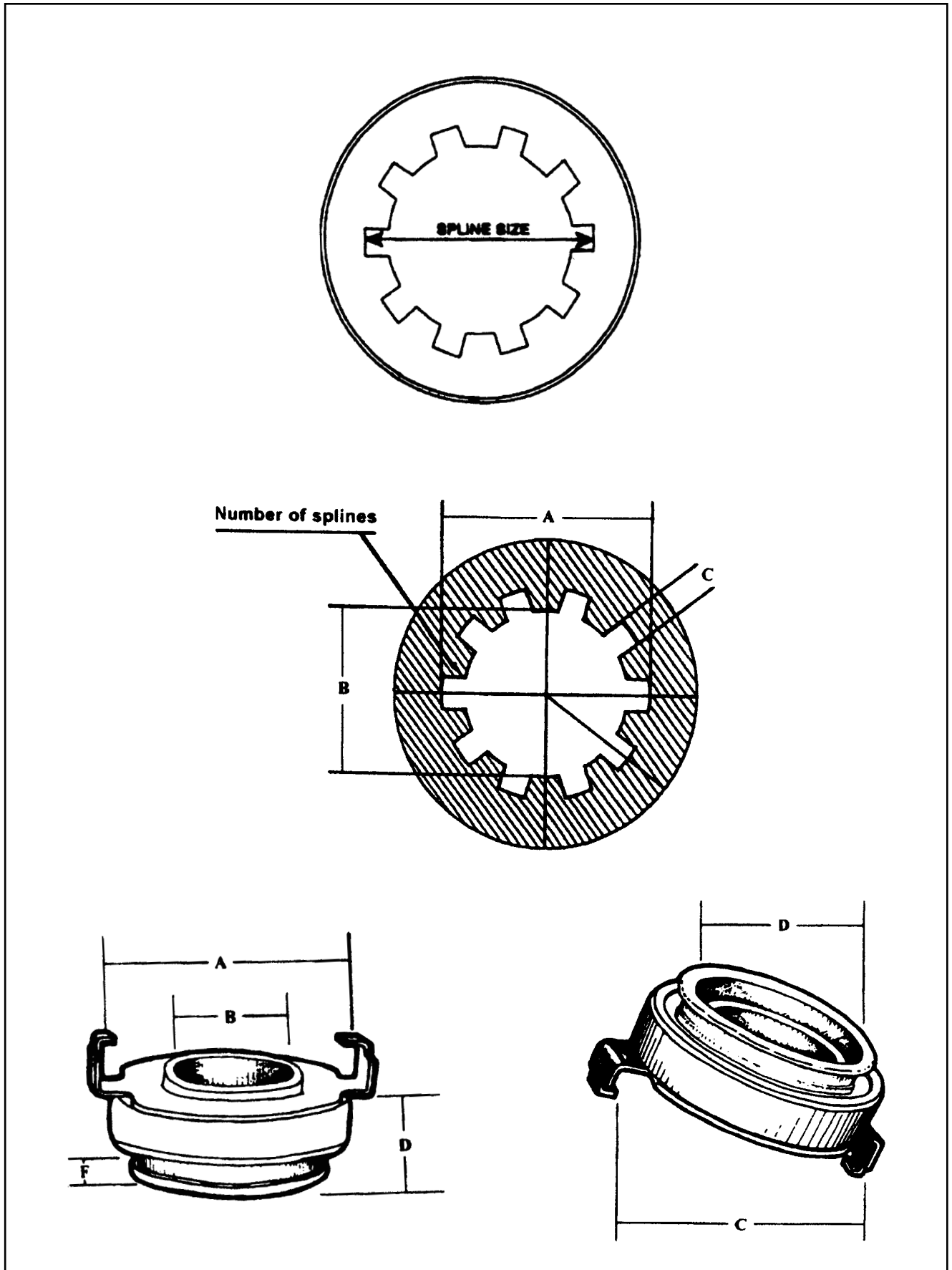
FITTING INSTRUCTIONS: INSTALLING YOUR NEW DAIKIN CLUTCH.

Failure to observe these instructions when fitting your Daikin Clutch will void any warranty.

1. *Getting it right the first time. It is vital to diagnose the cause of clutch malfunction before clutch replacement, i.e. check hydraulic system - bearing free travel - clutch cable, oil leaks and check for any signs of red dust when old clutch is being removed. Any or all of these problems must be corrected before installing a new clutch.*
2. Ensure clutch supplied is correct for the application. If you're unsure, consult your Daikin Clutch Catalogue or your supplier, as fitting a clutch to the wrong application will void the warranty.
3. Flywheel must be machined as shown below (Fig 2.) or warranty will be void and check spigot bearing or the pilot bush and replace if necessary. Please note pilot bush noises are more apparent when the engine and transmission systems are cold (i.e. in the mornings).
4. Before fitting, check the clutch for any shipping damage. Next clean the gear box main drive shaft splines, then check that clutch disc slides freely on the shaft. Lightly grease the shaft splines with high melting point grease. Always ensure bell housing is degreased and is free of any dust and that fibres from the worn clutch are removed. If the clutch is a large size pull type clutch check the ID of the bearing head for correct spline size before installation. Lack of lubrication/dry splines will cause failure to disengage gears and also cause clutch drag.
5. Check clutch release fork for cracks, check the clutch cable for stretch signs and check the release bearing guide tube for any wear. Always lightly grease the outside diameter of the tube. This will allow smooth sliding of the bearing carrier. Always check bearing on clutch release fork after installing the bearing on it. Move the fork forwards and backwards i.e. in both directions, to ensure bearing is secure and does not fall on any part (clutch fork or bell housing) before refitting gear box.
6. Place the clutch cover pressure plate assembly over the clutch disc, after checking that the disc is the right way around and the hub section of the disc does not fall on the casting of the clutch cover assembly or the flywheel. A suitable clutch aligning tool will ensure correct alignment, assist in ease of installation and avoid spline damage. (Burr on splines are a major cause of difficult gear disengagement). Ensure pressure plate dowels are aligned to the cover. Tighten bolts in a diagonal pattern and never use air tools to install a clutch cover assembly. Torquing down bolts in an uneven pattern in some instances could cause the lever strut to dislodge itself from the pressure plate casting.
7. When the pressure plate has been torqued down securely to the flywheel, ensure that the diaphragm tips (in the case of a lever type cover assembly, the release lever tips) are in a parallel position (see Fig 3) and do not go over center of the parallel position.
8. Refit gear box, taking care not to bend the clutch disc. Never hang the gear box off the clutch disc or use any force to align gear box shaft.
9. Check all bell housing dowels are in correct position and tighten bell housing bolts. Ensure there is no dirt or foreign material between the mating surfaces of the engine and the bell housing.
10. Perform any clutch adjustments to vehicle manufacturer's specifications and always reset the clutch master cylinder push rod to obtain comfortable pedal release position (clutch taking up as close as possible to the floor prevents clutch shudder and in most cases preferred by vehicle drivers). Keep in mind that the diaphragm tip position has changed with the installation of the new clutch.
11. Always check the clutch cable if you are unable to obtain disengagement when a new clutch is fitted. Start off your checking process by replacing the cable. If it is a hydraulic clutch start by checking the clutch master cylinder and the clutch slave cylinder, ensuring there is no air in the system. This is essential to obtain maximum travel for disengagement.
12. Road test vehicle and never abuse a newly fitted clutch. Allow 750 mi break in and always adjust free travel on your new clutch at 750 mi and 1500 mi. Thereafter, adjust at every 7500mi.

WARNING: Do not use DAIKIN clutches in any situation where engine RPM's may exceed manufacturer's specifications - a pressure plate could explode unexpectedly causing serious injury or death to vehicle occupants and bystanders. Clutch cover and bell housing will not protect against exploding pressure plates. Refer to the Application Catalogue for correct fit.



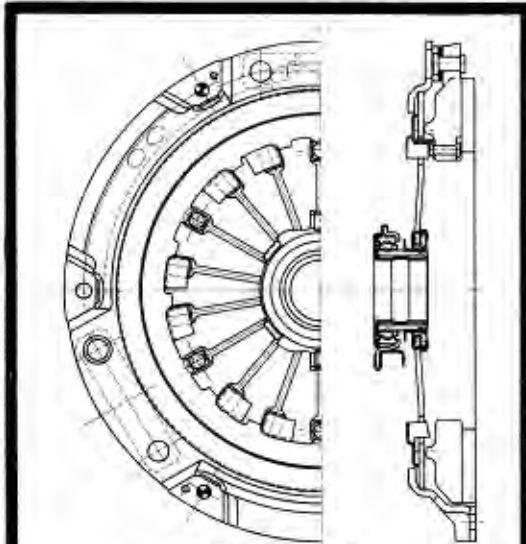


6

NEW TECHNOLOGY DESIGN CLUTCH

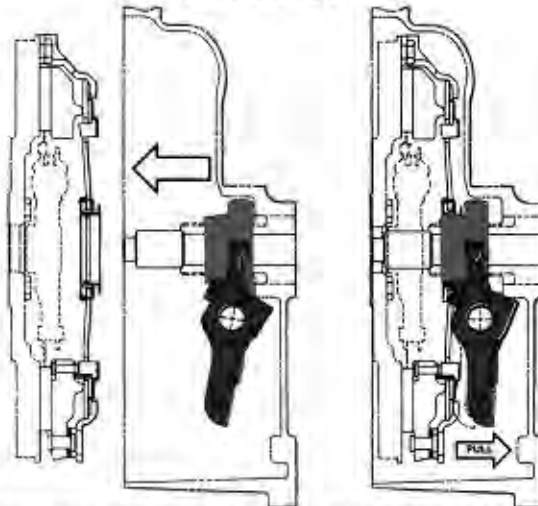
STUDY BEFORE DISASSEMBLY

STUDY BEFORE INSTALLATION



PATENTS PENDING
 One for Pull Clutch
 Four for Release Bearing Mechanism

INSTALLATION AND SNAP-IN PROCESS



Install Bearing on to clutch fork, install transmission (G/Box) then the release fork must be pulled in the direction reverse to the release firmly. The bearing is then snapped in.

DISASSEMBLY

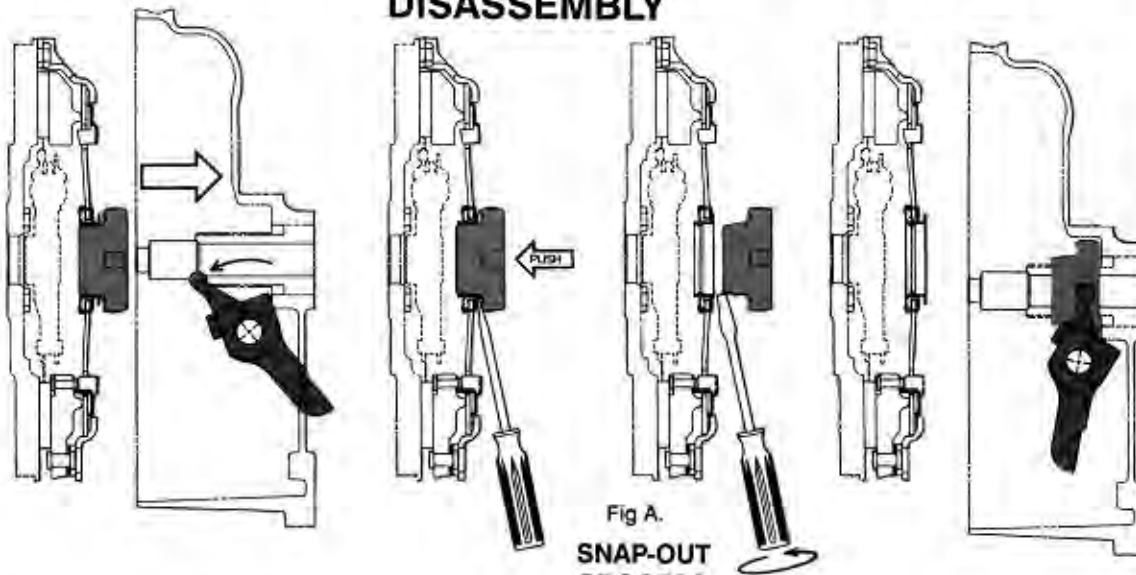


Fig A.
SNAP-OUT PROCESS

Move Bellhousing back approximately 30 to 40mm, insert screwdriver and twist as in figure A. Bearing will then snap out from clip mechanism.

For Exedy Sport & Performance Listings
please refer to our 2013-14 Sports Catalog

Stage 1 - Single Plate Organic

Stage 2 - Single Plate Cerametallic, Thick & Thin

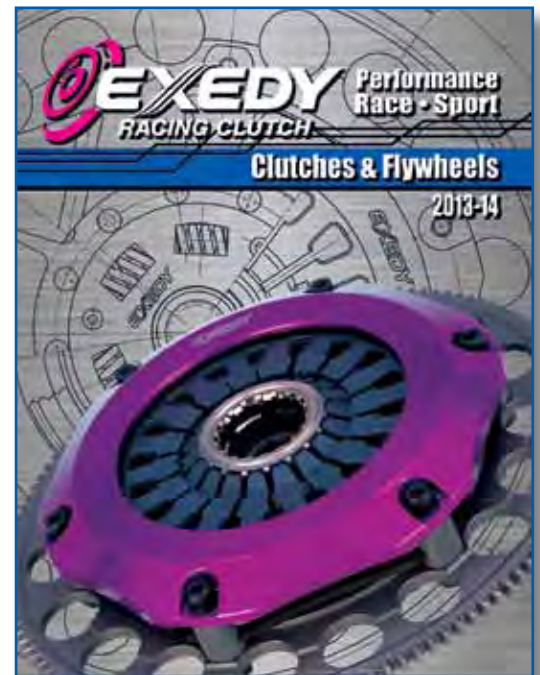
Stage 3 - Hyper Single Plate

Stage 4 - Hyper Twin Plate

Stage 5 - Hyper Triple Plate, Carbon Series

D-Core Series

Replacement Parts



**DAIKIN
CLUTCH**

Focus on Basics



EXEDY Globalparts Corporation USA Service Directory

Customer Service

(734) 397-6607
(734) 397-6611
(734) 397-6624
(734) 397-6625

California Warehouse

1951 E. 48th Street
Vernon, CA 90058
Phone: (323) 582-3800
Fax: (323) 582-3840

Florida Warehouse

11150 N.W. 32nd Ave.
Miami, FL 33167
Phone: (305) 953-7270
Fax: (305) 953-7291

East Region Sales

(770) 910-5237

Colorado Warehouse

501 Kalamath Street
Denver, CO 80204
Phone: (303) 825-2000
Fax: (303) 825-0132

AT Sales

(832) 247-8725

West Region Sales

(801) 232-4695

TECH SUPPORT — MON.-FRI. 8:30AM-6:00PM EST

OEM (734) 397-6605 • (734) 716-5695
Sport/Performance (734) 397-6633 • (734) 740-1986

EXEDY GLOBALPARTS MAIN WAREHOUSE & NORTH AMERICAN OPERATIONS

8601 Haggerty Rd. S • Belleville, MI 48111 • (800) 346-6091 • Fax: (734) 397-7300

DISTRIBUTED BY:



www.exedyusa.com